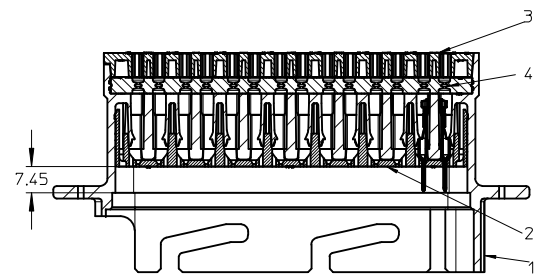
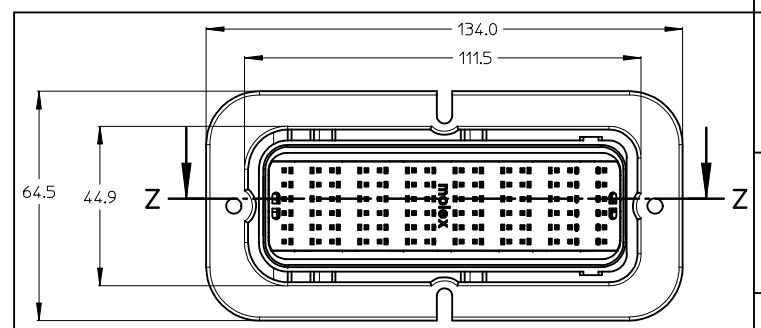


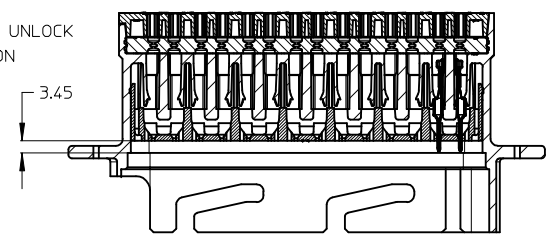
TPA IN FULL-LOCK POSITION



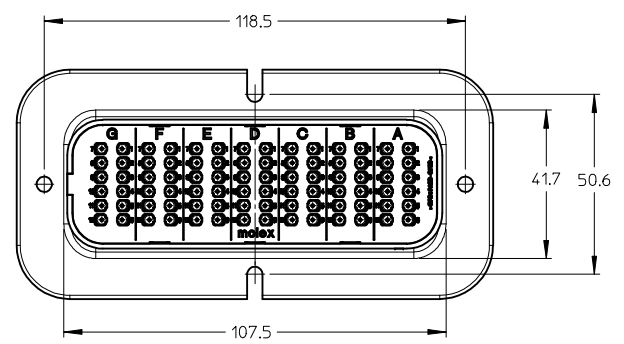
Y-Y



TPA IN UNLOCK POSITION



Z-Z



- NOTES:
1. DESIGNED TO MATE WITH THE BLADE HOUSING ASSEMBLY SPECIFIED IN MOLEX CHARTED DRAWING SD-85070-500
 2. FOR RECEPTACLE TERMINALS TO BE USED WITH THIS ASSEMBLY, SEE DRAWING SD-33000-001
 3. SYSTEM TO BE USED WITH WIRE WITHIN DIAMETER RANGE OF 1.2mm TO 2.8mm
 4. MATERIAL COMPLIANT TO ROHS DIRECTIVE 2002/95/EC
 5. SHALL CONFORM TO PRODUCT SPECIFICATION PS-85070-001

4	MALE BACK SEAL	1	LSR 30 DUROM	TRANSPARENT
3	MALE REAR COVER	1	SPS/PA66 GF20	BLACK
2	MALE FRONT COVER (TPA)	1	SPS/PA66 GF20	BLACK
1	MALE HOUSING	1	SPS/PA66 GF20	BLACK
NO.	PART NAME	QTY	MATERIAL	COLOR

ENTER DESCRIPTION EC NO: M62009-0074 DRAWN: TMOGT 2009/04/23 CHKD: RSILLER 2009/04/24 APPR: AVOGT 2009/04/24	QUALITY SYMBOLS ▽=0 ▽=0	GENERAL TOLERANCES (UNLESS SPECIFIED) 4 PLACES ± --- ± --- 3 PLACES ± --- ± --- 2 PLACES ± 0.05 ± --- 1 PLACE ± 0.10 ± --- ANGULAR ± .5°	DIMENSION STYLE MM ONLY	SCALE 1:1 DESIGN UNITS METRIC THIRD ANGLE PROJECTION	DRAWN BY CSEBASTIAN 2007/07/27 CHECKED BY MMUELLER 2007/08/21 APPROVED BY TREMHOF 2007/08/21	TITLE MLX SRC - MALE ASSEMBLY 84 PIN
					MATERIAL NO. 85071-0100 DOCUMENT NO. SD-85071-100	
DRAFT WHERE APPLICABLE MUST REMAIN WITHIN DIMENSIONS			THIS DRAWING CONTAINS INFORMATION THAT IS PROPRIETARY TO MOLEX INCORPORATED AND SHOULD NOT BE USED WITHOUT WRITTEN PERMISSION			