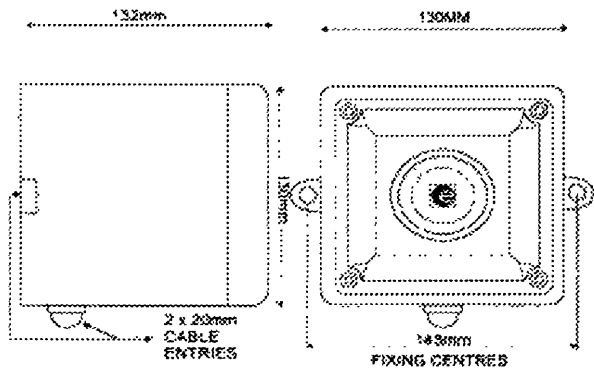




# Technical Specification.

## A105N-SYNC APPELLO



### Features :

- Speech and tone sounder.
- FULLY SYNCHRONISED.
- Re-recordable (up to 100,000 times).
- Edits automatically to length of message(s).
- Total message length 16 seconds.
- Low current consumption.
- 3 stage/message ability alarm.
- Capable of producing 10 different tones.
- Volume control.
- Excellent quality playback of voice message(s) & REAL FIRE BELL sound option.
- Complies with IP55 standard (upgrade optional).
- Ideal for fire alarm and evacuation alarms.

<b>Fixings</b>	External lugs or internal BESA box holes.
<b>Case material</b>	Red, ABS flame retardent plastic. UL 94 V0 rated.
<b>Voltage</b>	10 to 30v dc (nominal 24v dc)
<b>Operating Temp.</b>	-25 to +55 deg. C
<b>Storage Temp.</b>	-25 to +75 deg. C
<b>Humidity</b>	90% at 40 deg. C
<b>Message modes</b>	1. <TONE><MESSAGE> 2. <MESSAGE> 3. <TONE><MESSAGE><TONE>
<b>Output level @ 24v dc dB(A) at 1metre +/- 3dB(A)</b>	Level 3 - 100dB(A) Level 2 - 97 dB(A) - Factory pre-set. Level 1 - 94 dB(A) (Voice approx 3 to 5 dB(A) below tone).
<b>Input currents</b>	Level 3 - <130mA Level 2 - <80mA - Factory pre-set. Level 1 - <50mA
<b>IP rating</b>	55 (Optional factory fitted gasket kit available)

Note . Levels 3,2 & 1, message modes and tones are user selectable.

Doc. No. : TS 1103-B 3rd March 1999

Appello-Sync's unique feature and key benefit is that the analogue signals are stored directly to non-volatile memory without intermediate analogue to digital conversion. The recording may then be downloaded onto one or more sounders, which will then be synchronised, if in the same circuit. Each sounder leaves the factory pre-recorded with the following messages :

Message 1 : "Please evacuate the building immediately."  
 Message 2 : "Alarm test, take no action."  
 Message 3 : "Alarm test now complete."

Tone & Frequency selection.				
Tone No.	Tone Description.	Stage 2 & 3 tone options.		
		A	B	C
1	Australian alert tone.	5	8	4
2	Slow whoop - Netherlands.	10	8	12
3	Fast sweep 800/1000Hz @ 7Hz.	8	14	10
4	Australian evacuate.	1	8	5
5	Simulated bell sound.	10	13	2
6	German DIN tone.	13	2	10
7	French AFNOR tone.	10	5	9
8	Continuous tone - 1000Hz.	10	11	5
9	Continuous tone - 554Hz.	5	7	12
10	Warble 800/1000Hz @ 2Hz.	8	6	11
Tones 11 to 14 available as stage 2 or stage 3 as indicated.				
11	Intermittent - 1000Hz @ 1Hz.	-	-	-
12	Continuous tone - 2400Hz.	-	-	-
13	Continuous tone - 800Hz.	-	-	-
14	Sweep - 2400/2900Hz @ 1Hz.	-	-	-

European Safety Systems Ltd Impress House, Mansell Rd, Acton, London, W3 7QH

Tel : +44 (0)181 - 743-8880

Fax : +44 (0)181 - 740-4200

e-mail : sales@e-2-s.com

