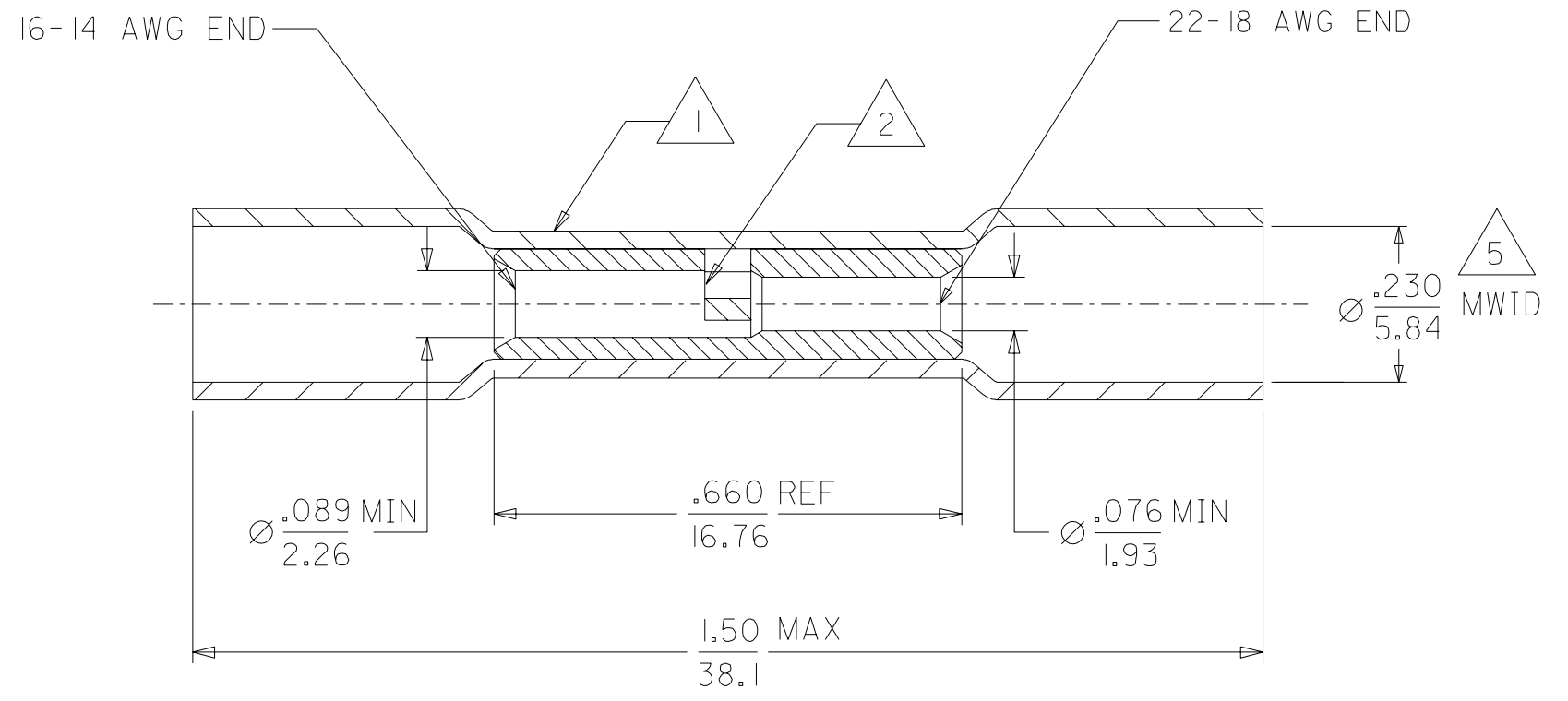
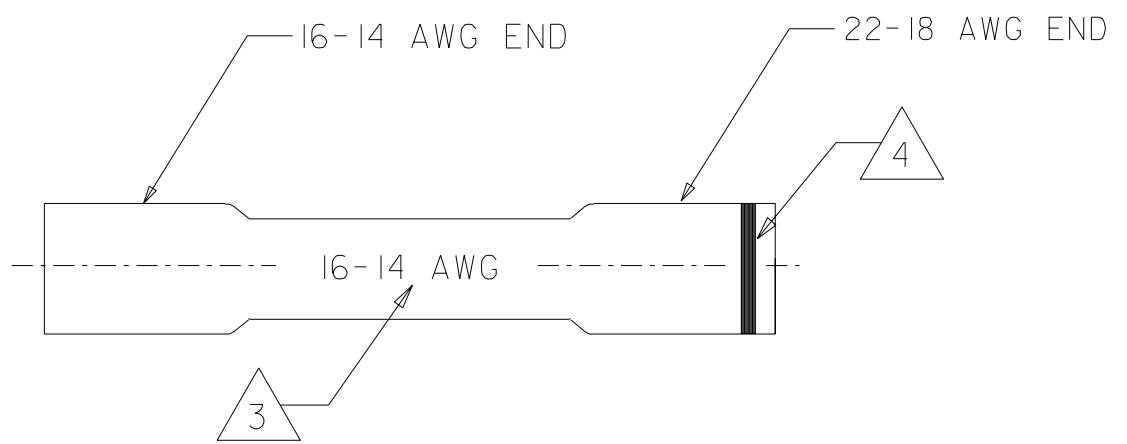


MATERIAL NUMBER	ENGINEERING NUMBER
191640043	SBA-631

E-19164-029



NOTES,

- 1. INSULATION MATERIAL: HEAT SHRINKABLE TUBING WITH HOTMELT INNER LINER, COLOR BLUE.
- 2. SEAMLESS TIN PLATED COPPER TERMINAL.
- 3. PRINTED TEXT IN BLACK .06 HIGH AS SHOWN. DIRECTION CAN BE REVERSED DUE TO MFG PROCESSES.
- 4. RED STRIPE ORIENTATED ON 22-18 AWG END OF CONNECTOR.
- 5. MWID-MAXIMUM WIRE INSULATION DIAMETER.

SALES DRAWING

NEW RELEASE EC NO. ETC2003-0088 DRWN: BRE 03/01/30 CHK: HEB 03/01/30 APPR: RWD 03/01/30	DESCRIPTION MAJOR $\nabla=0$ CRITICAL $\nabla C=0$	GENERAL TOLERANCES: (UNLESS SPECIFIED)		SCALE NO: NE	DESIGN UNITS <input type="checkbox"/> mm <input checked="" type="checkbox"/> INCH	THIRD ANGLE PROJECTION	DIMENSIONS: <input type="checkbox"/> mm <input checked="" type="checkbox"/> INCH <input type="checkbox"/> mm ONLY	SHT REV		
		4 PLACES $\pm 0.$ $\pm .$	3 PLACES $\pm 0.$ $\pm .005$	2 PLACES ± 0.13 $\pm .01$	1 PLACE ± 0.01 $\pm .$	DRAWN BY & DATE RCM 9/10/28		TITLE: STEP DOWN BUTT SPLICE PERMA-SEAL 16-14 AWG TO 22-18 AWG		
		ANGULAR: $\pm 1/2^\circ$		DRAFT WHERE APPLICABLE MUST REMAIN WITHIN DIMENSIONS		CHECKED BY & DATE JM 9/10/28		MOLEX INCORPORATED		
		APPROVED BY & DATE FP 9/10/28		CAD FILENAME SD-19164-029 .DGN		MATERIAL NO. SEE CHART		DRAWING NO. SD-19164-029		SHEET NO. 1 OF 1
REV A		THIS DRAWING CONTAINS INFORMATION THAT IS PROPRIETARY TO MOLEX INCORPORATED AND SHOULD NOT BE USED WITHOUT WRITTEN PERMISSION.							SIZE B	