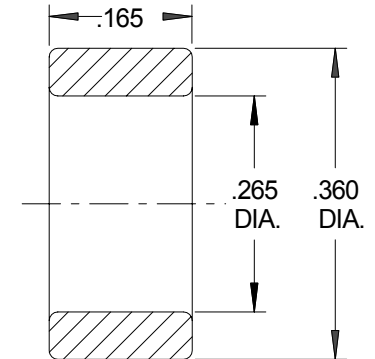
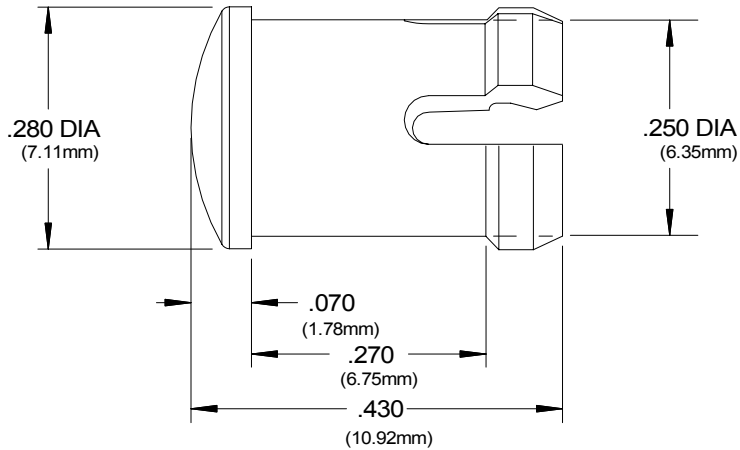
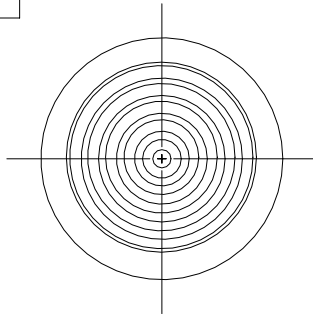
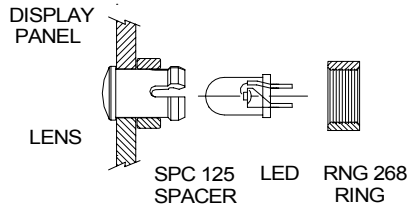




ACTUAL SIZE

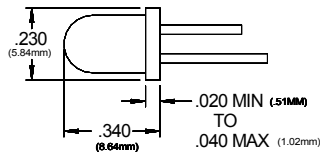


RNG 268
(OPTIONAL)



ASSEMBLY
Insert lens thru a .250" hole * for thin panels, slide spacer on back of lense * insert LED into lense * locking ring for additional security only.

RECOMMENDED LED
SIZE T-1 3/4



ORDERING CODES

MODEL CLB 300 RTP
COLOR

RTP Red Transparent BTP Blue Transparent
ATP Amber Transparent YTP Yellow Transparent
GTP Green Transparent CTP Clear Transparent

NOTES:

Material: Polycarbonate
UL Rating: "Thermoplastic material used on a secondary circuit".

Design: Low profile lens using fresnel rings and striated lines.

Mounting: Mounts thru the front of panel. Mounting holes should be deburred but not chamfered.

Hole size - .250 ± .002 (6.35mm) hole on 3/8" centers
Panel thickness 1/16" to 1/4"

For panel less than 3/16", SPC spacer is available
Standard metal or plastic washer can be used to increase panel thickness if necessary.

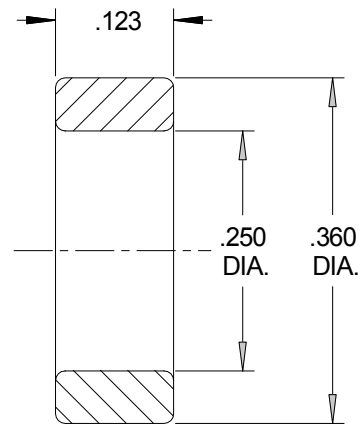
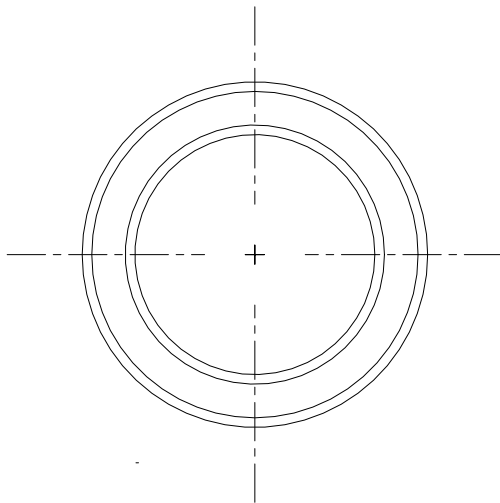
U.S. & Foreign Pat. Issued & Pend.

TOLERANCES (EXCEPT AS NOTED)	REVISIONS			
	NO.	DESCRIPTION	DATE	BY
DECIMAL ±.010	1			
ANGLE ± 30'	2			
DIAMETER .003 TIR	3			
	4			
RADII .008 Max	5			

CLIPLITE® CLB 300

VISUAL COMMUNICATIONS COMPANY, INC.
7920-G ARJONS DRIVE SAN DIEGO, CA 92126 U.S.A. (858) 549-6900

DRAWN BY	JMS	SCALE	5 X	MATERIAL	See Notes
CHK'D		DATE	10/25/95	DRAWING NO.	CLB300A
TRACED		APP'D			



Notes:

1) Material: Nylon general purpose (natural)

TOLERANCES (EXCEPT AS NOTED)		REVISIONS			CLIPLITE[®] SPC 125 SPACER VISUAL COMMUNICATIONS COMPANY, INC. 7920-G ARJONS DRIVE SAN DIEGO, CA 92126 U.S.A. (619) 549-6900		
DECIMAL ±.010	NO.	DESCRIPTION	DATE	BY			
ANGLE	1				DRAWN BY JMS	SCALE 5 X	MATERIAL See Notes
	2						
DIAMETER	3				CHK'D	DATE 11/01/85	DRAWING NO. SPC125A
RADII	4				TRACED	APP'D	
	5						