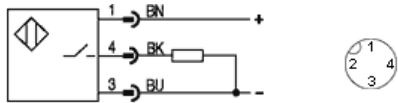
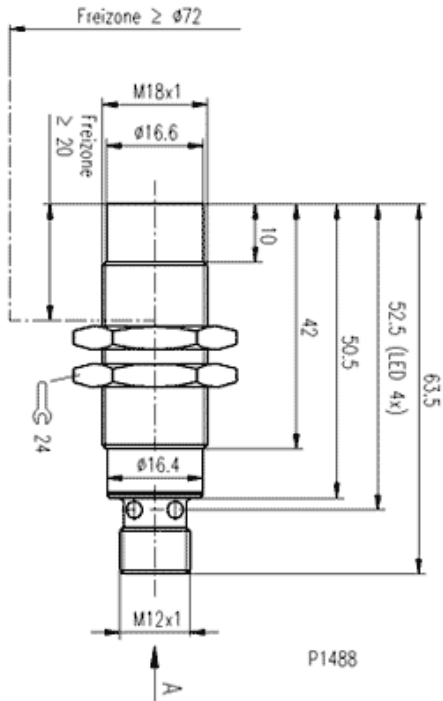
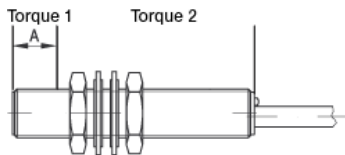


cyl. M18  
Sn = 20 mm  
DC 3-Wire  
unshielded  
sn: 3fach



Utilization categories DC 13

■ **Tightening torque:**



Torque 1      Nm      25

If only torque1 is indicated,  
this applies to entire thread

If not differently indicated,  
all values by IEC 60947-5-2 (DIN EN60947-5-2)

Specifications subject to change

Balluff GmbH  
Postfach 1160  
73761 Neuhausen  
Telefon (07158) 173-0  
Telefax (07158) 5010

**Common Data**

Mounting		unshielded
Rated operating distance Sn	mm	20,0
Assured operating distance Sa	mm	0...16.2
Repeatability	%	<= 5
Hysteresis	%	≦ 20
Function indication		yes
Ambient temperature range	°C	-25...+70
Polution Degree		3
IEC-Code		2A18AP2
Time delay before availability	ms	≦ 100

**Mechanical Data**

Housing size	mm	cyl. M18
Measurements BxHxT or DxT	mm	M12x1 x 63.5
Housing material		CuZn chrome plated
Material of sensing face		PBT
Degree of protection		IP54
Connection		Connector S4

**Electrical Data**

Current type		DC
Wiring		3-Wire
switching function		normally-open
Output signal		PNP
Rated operational voltage	V	24 DC
Rated operational current	mA	200
Supply voltage	V	10...30 DC
Ripple	%	20
Rated supply frequency	Hz	200
No-load supply current	mA	<= 10
Off-state current	µA	<= 100
Voltage drop	V	<= 2
Short circuit protection		yes
Protected against polarity reversal		yes