

# Ledex® C Frame Size C5 — DC Operation

Part Number: C5 - **XXX** - B- 1

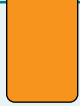
All catalog products manufactured after April 1, 2006 are RoHS Compliant

Select from performance chart below

## Specifications

Operation	Pull
Dielectric Strength	500 VRMS for one second
Continuous Duty Cycle	100% At 20°C ambient temperature
Intermittent Duty Cycle	See below
Coil Insulation	Class "B": 130°C max. temperature standard. Other temperature classes are available
Coil Termination	0.025" square pin terminals
Plunger Pole Face	60° conical
Plunger Weight	0.08 oz. (2.2 g)
Total Weight	0.42 oz. (11.9 g)
Dimensions	See page H44

● Well-suited for battery operation.



See the "Battery Operated Solenoids" section for complete information.

## Performance

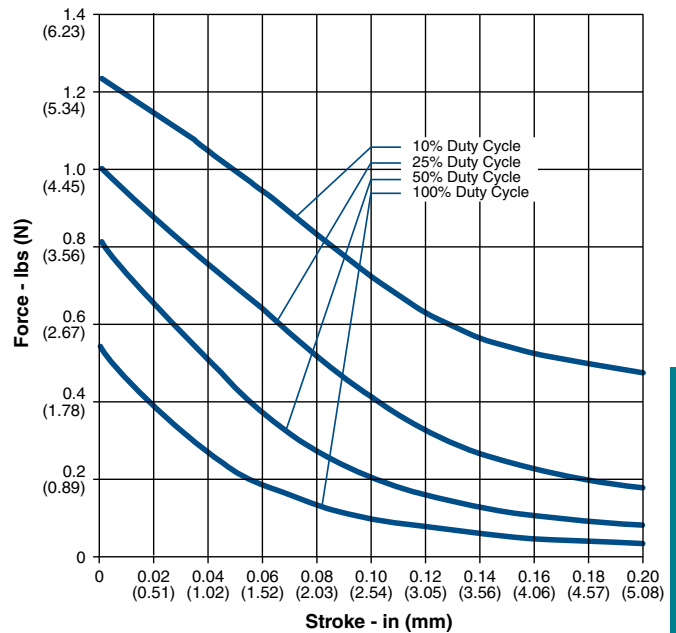
Maximum Duty Cycle	100%	50%	25%	10%
Maximum ON Time (sec)	∞	145	47	14
Watts (@ 20°C)	3	6	12	30
Ampere Turns (@ 20°C)	422	564	844	1268

Coil Data						
Part Number	Resistance (@20°C)	Ref # Turns	VDC (Nom)	VDC (Nom)	VDC (Nom)	VDC (Nom)
C5-273-B-1	2.88	406	3	4	6	9
C5-272-B-1	11.52	795	6	8	12	19
C5-271-B-1	25.77	1222	9	12	18	28
C5-270-B-1	48.65	1642	12	17	24	38
C5-269-B-1	72.84	1968	15	21	30	47
C5-268-B-1	152.20	2860	21	30	43	68
C5-267-B-1	191.73	3202	24	34	48	76

### NOTES:

- All data is typical.
- Force testing is done with the solenoid in the horizontal position.
- All data reflects operation with no heatsink.
- Other coil terminations available.
- Pull versions standard; push versions available.

## Force (Gross, Without Spring)



## How to Order

Select the part number from the table provided. (For example, to order a 25% duty cycle unit rated at 48 VDC, specify C5-267-B-1.

Please see [www.ledex.com](http://www.ledex.com) (click on Stock Products tab) for our list of stock products available through our North American distributors.

LINEAR Open Frame

Force values for reference only.

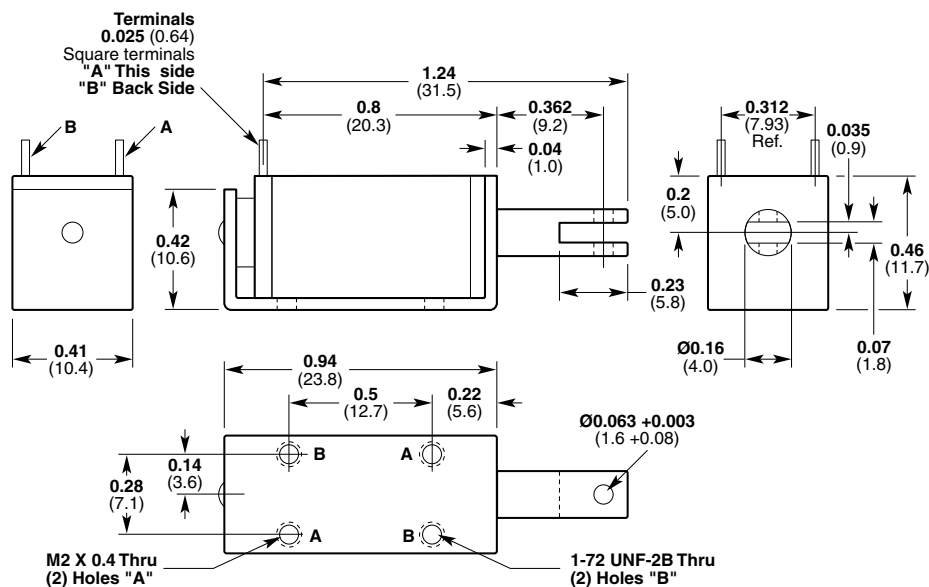
All specifications subject to change without notice.

# Ledex® C Frame Dimensions

Inches (mm)

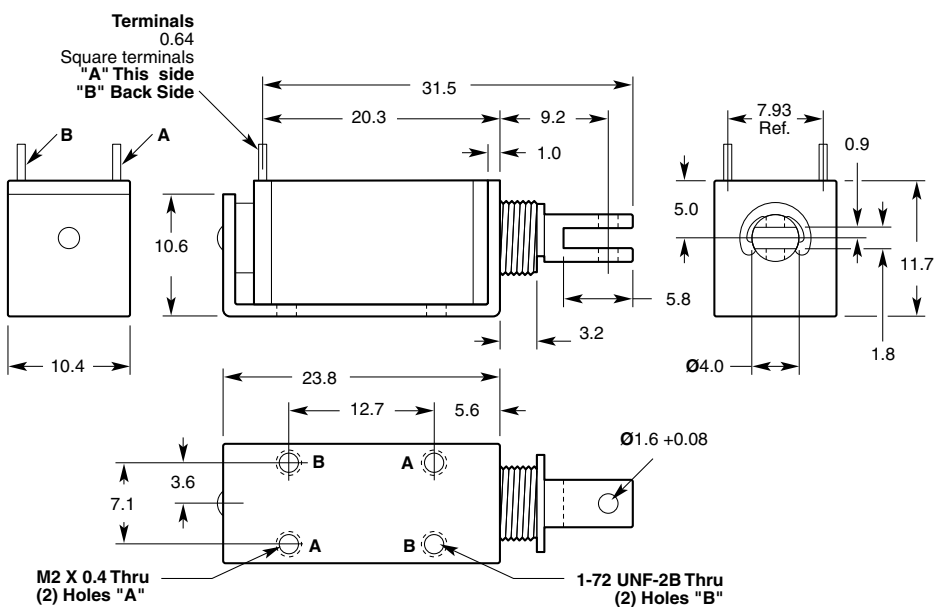
All solenoids are illustrated in energized state

C5



C5-L

LINEAR Open Frame



All specifications subject to change without notice.