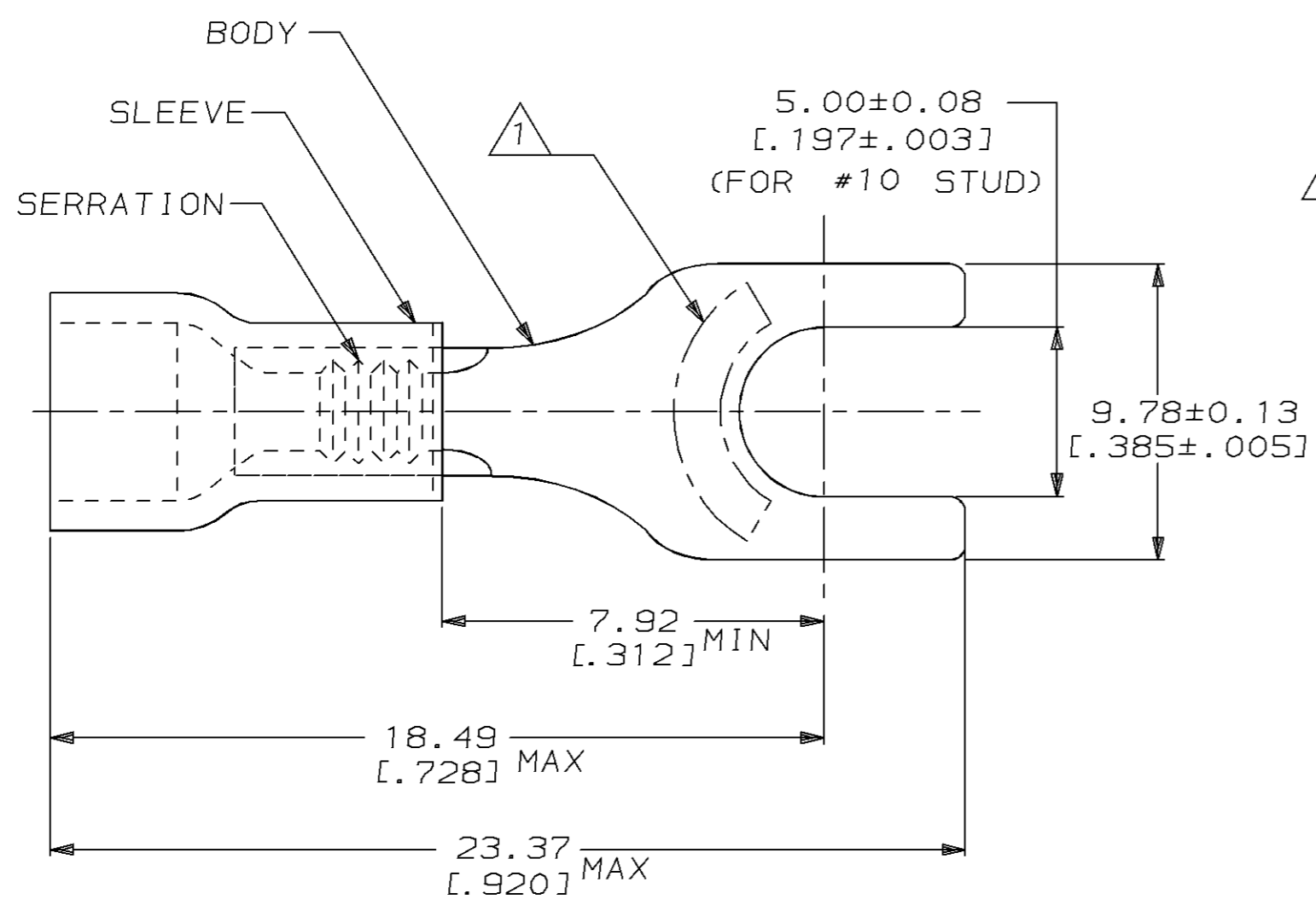


THIS DRAWING IS UNPUBLISHED. RELEASED FOR PUBLICATION ,19 .
 © COPYRIGHT 19 BY AMP INCORPORATED. ALL RIGHTS RESERVED.

LOC		DIST		REVISIONS			
P	LTR	DESCRIPTION		DATE	DWN	APVD	
G	14	F		REDRAWN PER EC 0720-0432-94	07NOV94	GV	ME

AMP WIRE RANGE	UL E13288	SR LR7189 Certified
- - SOLID OR STRANDED	- - SOLID OR STRANDED	- - SOLID OR STRANDED



- 1. STAMP AMP 16-14* LOCATE APPROX AS SHOWN
- 2. WIRE INSUL DIA, 2.92 TO 4.32 [.115 TO .170]
- 3. TONGUE MATL THK, 0.79 ± 0.05 [.031 ± .002]

QTY	PACKAGE TYPE	PART NO
50	LOOSE PIECE, BAG	8-34167-5
5	LOOSE PIECE, BLS	8-34167-4
100	LOOSE PIECE, BOX	8-34167-1
5000	ON TAPE, REEL	2-34167-1
1000	LOOSE PIECE	34167

AMP INCORPORATED
CUSTOMER SERVICE SYSTEM

FOR ADDITIONAL PRODUCT INFORMATION OR COPIES OF DRAWINGS AND TECHNICAL DOCUMENTS: PRODUCT INFORMATION CENTER 1-800-522-6752

FOR APPLICATION TOOLING INFORMATION: TOOLING ASSISTANCE CENTER 1-800-722-1111

FOR ORDER ENTRY: 1-800-526-5142

MAX RECOMMENDED OPERATING TEMPERATURE:
 90°C [194°F]

VOLTAGE RATING:
 600V MAX
 (1000V FIXTURE OR SIGN)

CIRCULAR MIL AREA:
 1.04mm² - 2.62mm²
 [2050 -5180]

THIS DRAWING IS A CONTROLLED DOCUMENT FOR AMP INCORPORATED. IT IS SUBJECT TO CHANGE AND THE CONTROLLING ENGINEERING ORGANIZATION SHOULD BE CONTACTED FOR THE LATEST REVISION.

DIMENSIONS:	TOLERANCES UNLESS OTHERWISE SPECIFIED.
mm [in]	
	0 PLC ±-
	1 PLC ±-
	2 PLC ±0.20 [.008]
	3 PLC ±-
	4 PLC ±-
	ANGLES ±-
MATERIAL	FINISH
BODY, CU PER ASTM B152	- -
SLEEVE, PVC, BLUE	-

DWN G VINSON 07NOV94	 AMP Incorporated Harrisburg, PA 17105-3608
CHK M ELLIS 07NOV94	
APVD G NGO 07NOV94	
PRODUCT SPEC UL 486A	
APPLICATION SPEC -	NAME TERMINAL, SPADE, PLASTI-GRIP, WIRE SIZE, 16-14 AWG
WEIGHT -	SIZE A3
CUSTOMER DRAWING	CAGE CODE 00779
	DRAWING NO C-34167
	SCALE 6:1
	SHEET 1 OF 1
	REV F