

Tippette Switches



TIG-Series

LTIL & LTIG-Series

The Carlingswitch Tippette Series is a traditionally styled rocker switch, available in sealed or unsealed versions. These switches are appropriate for use in those applications not requiring the more stringent sealing protection of the V-Series and L-Series switches. The Tippette Series is available in both illuminated and non-illuminated versions and features a wide variety of circuits, actuator styles and bracket options. This versatile offering includes international agency certifications and ratings to 26 amps for select circuits.

General Specifications

Electrical

Contact Rating 15 amps, 125 VAC
 10 amps, 250 VAC
 3/4 HP 125-250 VAC
 15 amps, 15-28 VDC

Life 25,000 cycles circuit dependent
 50,000 cycles circuit dependent
 consult factory for applicable circuits.

Contacts Fine silver, silver cad-oxide

Terminals Brass or copper/silver plate 1/4" (6.3mm) Quick Connect terminations standard.
 Solder lug - Brass Tin Plated
 Wire Lead 16 gauge standard 105°C 600VAC
 Screw Terminals - Brass

Physical Characteristics

Lighted Incandescent - rated 10,000 hours
 Neon - rated 25,000 hours

Seals Bracket - Actuator WBL/MBL
 optional external gasket panel seal

Base Phenolic (150°C)
 Rocker/Bracket Nylon 66 (105°C)

Agency Certifications

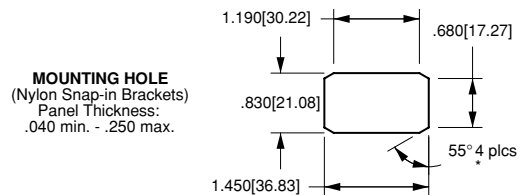


Select circuits and constructions with IEC approvals are available. Consult factory.

Mechanical

Endurance 100,000 cycles minimum

Mounting Specifications



*Angled corners are suggested for optimum fit. Standard rectangular cutout is acceptable.

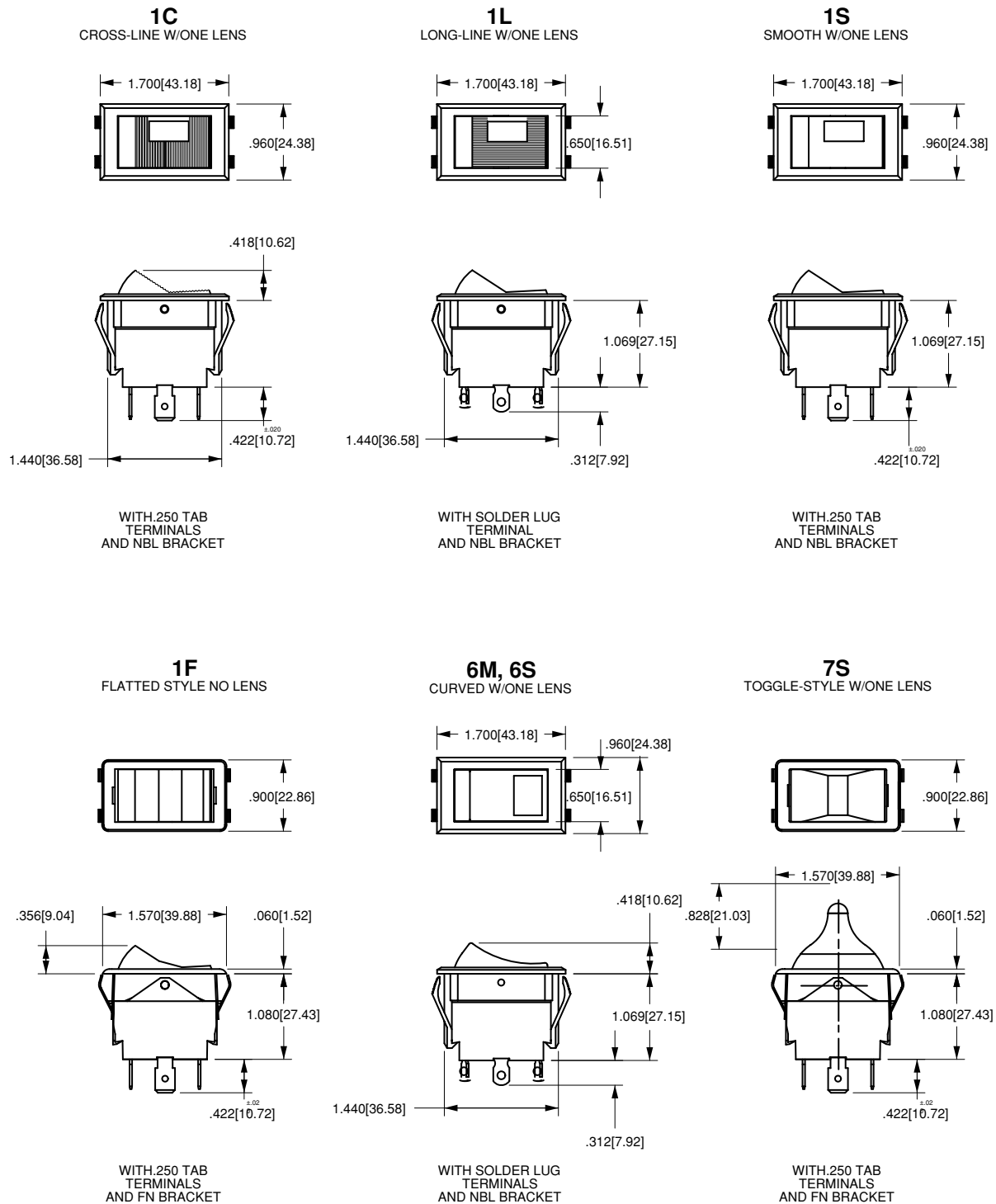
Tippette Switches Dimensional Specifications: in.[mm]

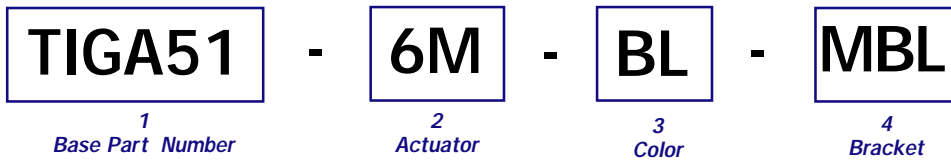
	<p>IEC APPROVED CONSTRUCTION (TIG ONLY)</p>		<p>SOLDER LUG</p>	<p>.250 TAB (Q.C.)</p>	<p>.187 TAB (Q.C.)</p>
			TERMINAL TYPE		

MOUNTING HOLE (Nylon Snap-in Brackets)
 Panel Thickness: .040 min. - .250 max.

* Angled corners are suggested for optimum fit. Standard rectangular cutout is acceptable.
 Switch should be mounted at 90° for maximum water shedding (45° to 90° acceptable)

Tippette Switches Dimensional Specifications: in.[mm]





1 BASE PART NUMBER: SERIES/POLES/ILLUMINATION/CIRCUITRY¹⁰/RATING/TERMINATION¹⁰
 10A 250VAC, 15A 125VAC, 3/4 HP 125-250VAC, 15A 15-28VDC⁷

<i>single pole in double pole base²</i>				<i>double pole</i>				
<i>solder</i>	<i>.250</i>	<i>screw</i>	<i>wire</i>	<i>solder</i>	<i>.250</i>	<i>screw</i>	<i>wire</i>	
<i>lug</i>	<i>tab</i>	<i>term.</i>	<i>leads</i>	<i>lug</i>	<i>tab</i>	<i>term.</i>	<i>leads</i>	
TIGA50	TIGA51	TIGA54	TIGA55	ON-NONE-OFF	TIGK50	TIGK51	TIGK54	TIGK55
TIGA5A	TIGA5B	TIGA5E	TIGA5F	(ON)-NONE-OFF	TIGK5A	TIGK5B	TIGK5E	TIGK5F
TIGA5L	TIGA5M	TIGA5S	TIGA5T	ON-NONE-(OFF)	TIGK5L	TIGK5M	TIGK5S	TIGK5T
TIGB50	TIGB51	TIGB54	TIGB55	ON-NONE-ON	TIGL50	TIGL51	TIGL54	TIGL55
TIGB5A	TIGB5B	TIGB5E	TIGB5F	ON-NONE-(ON)	TIGL5A	TIGL5B	TIGL5E	TIGL5F
TIGC50	TIGC51	TIGC54	TIGC54	ON-OFF-ON	TIGM50	TIGM51	TIGM54	TIGM55
TIGC5A	TIGC5B	TIGC5E	TIGC5F	ON-OFF-(ON)	TIGM5A	TIGM5B	TIGM5E	TIGM5F
TIGC5L	TIGC5M	TIGC5S	TIGC5T	(ON)-OFF-(ON)	TIGM5L	TIGM5M	TIGM5S	TIGM5T

VDE APPROVED
 10A 250VAC, 15A 125VAC, 12(6)A 250VAC T85

<i>single pole in double pole base²</i>				<i>double pole</i>		
<i>solder</i>	<i>.250</i>	<i>wire</i>		<i>solder</i>	<i>.250</i>	<i>wire</i>
<i>lug</i>	<i>tab</i>	<i>lead</i>		<i>lug</i>	<i>tab</i>	<i>lead</i>
TIGA90	TIGA91	TIGA95	ON-NONE-OFF	TIGK90	TIGK91	TIGK95
TIGB90	TIGB91	TIGB95	ON-NONE-ON	TIGL90	TIGL91	TIGL95
TIGC90	TIGC91	TIGC95	ON-OFF-ON	TIGM90	TIGM91	TIGM95

2 ACTUATOR STYLE

1S	Angular/Smooth Face Gloss ¹
1C	Angular/Cross Serrations Gloss ¹
1F	Flatted/Smooth Face Gloss ¹
1L	Angular/Longline Serrations Gloss ¹
6M	Curved/Smooth Face Matte ³
6S	Curved/Smooth Face Gloss ³
7S	Rounded Paddle/Smooth Face Gloss ²

3 ACTUATOR COLOR⁹

BL	Black
WH	White
RD	Red

4 BRACKET STYLE¹⁰

NBL	Nylon Black
WBL	Watershedding Black ⁴
MBL	Marine Style Black ^{4,6}
FN	Metal Snap-In ⁵
FN BLK	Black Metal Snap-In ⁵
FN SS	Stainless Steel Snap-In ⁵
FW	Wide Stainless Steel Snap-In ⁵

NOTES

Shading indicates standard configurations.

Three and four pole switches also available. Consult factory for details.

- 1 NBL, FN, & FW brackets only.
- 2 For single pole switch in a single pole base, specify TIL with single pole circuitry/rating/termination.
- 3 NBL, WBL, & MBL brackets only. With 6M actuator, brackets also will be matte finish.
- 4 6M & 6S actuators only
- 5 Not available with 6M & 6S actuators.
- 6 Consists of WBL bracket, neoprene seal, and dummy rivets at open holes. Consult factory for agency approval status.
- 7 All ratings are appropriate for usage in low voltage applications. For additional rating requirements, consult factory.
- 8 For agency certification of special circuits, consult factory.
- 9 Custom colors are available, consult factory.
- 10 .187 tab and PC terminations are also available. Consult factory for catalog number callout.
- 11 () - momentary