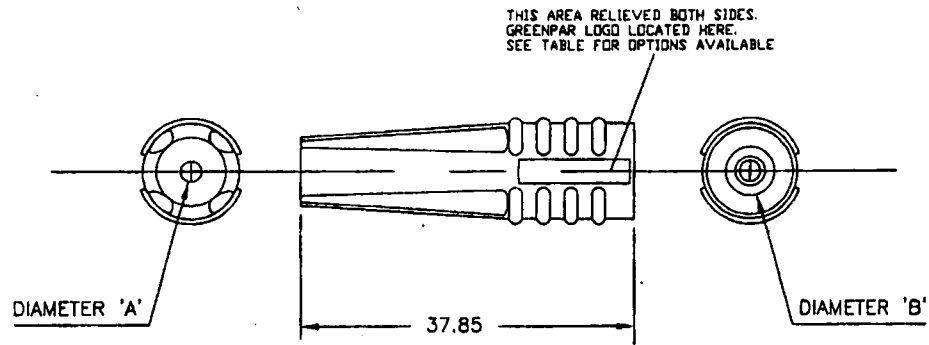


SUITABLE FOR THE FOLLOWING CABLES  
**GROUP 1**  
 RG174A/U, 189A/U, 316/U, URM95, RG179B/U, 187A/U, URM111  
**GROUP 2**  
 RG58C/U, 141A/U, URM43.76, BELDEN9907, RG55B/U, 142B/U, 223/U, 400/U, URM301  
**GROUP 3**  
 RG59B/U, 62A/U, 140/U, URM70/90



	CABLE GROUPS					
	GROUP 1 RG174 etc		GROUP 2 RG58 etc		GROUP 3 RG59 etc	
DIAM. A	3.20/3.60 tapering		4.93/5.59 tapering		5.67/6.42 tapering	
DIAM. B	5.59		5.85		7.11	
BLACK	1--6	2--6	3--6	4--6	5--6	6--6
RED	1--5	2--5	3--5	4--5	5--5	6--5
GREEN	1--4	2--4	3--4	4--4	5--4	6--4
YELLOW	1--3	2--3	3--3	4--3	5--3	6--3
BLUE	1--2	2--2	3--2	4--2	5--2	6--2
WHITE	1--1	2--1	3--1	4--1	5--1	6--1
ORANGE	1--0	2--0	3--0	4--0	5--0	6--0
	WITH LOGO	WITHOUT LOGO	WITH LOGO	WITHOUT LOGO	WITH LOGO	WITHOUT LOGO
PREFIX AND SUFFIX TO USE FOR PART NUMBERS						

Fec Code	Cable	Colour
4136536	RG174	BLACK
4136548	RG174	RED
4136550	RG174	GREEN
4136561	RG174	BLUE
4136573	RG58	BLACK
4136585	RG58	RED
4136597	RG58	GREEN
4136603	RG58	BLUE
4136615	RG59	BLACK
4136627	RG59	RED
4136639	RG59	GREEN
4136640	RG59	BLUE

THIS DRAWING IS A CONTROLLED DOCUMENT. DIB: R.GOODALL 28 MARCH 2002  
 DRG: A.BEKEN 28-03-02  
 APVD: F.W-KING 28-03-02

Tyco Electronics Corporation  
 Stanmore, Middlesex, HA7 4RS

STRAIN RELIEF SLEEVES  
 FOR R/F COAX CONNECTORS  
 CABLE GROUPS RG174, RG58, RG59

SIZE: A3 CAGE CODE: 00779 C=TBA  
 MATERIAL: PVC FINISH: SPARK FINISH  
 WEIGHT: --  
 CUSTOMER DRAWING SCALE: 2:1 SHEET: 1 OF 1 REV: A