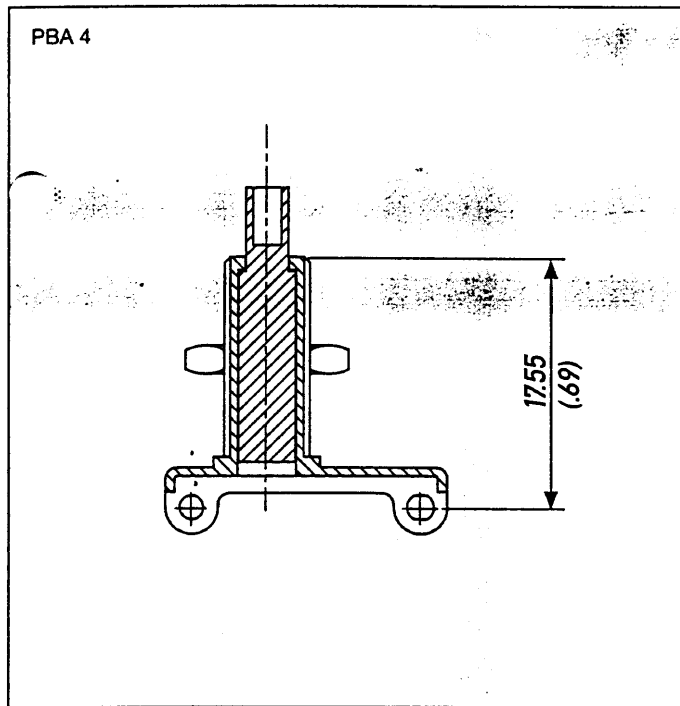
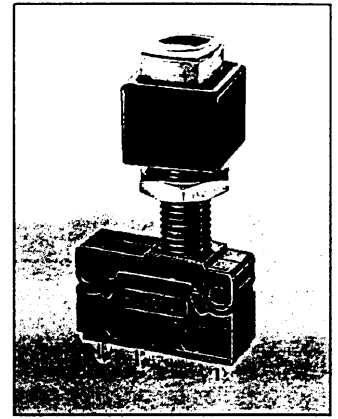
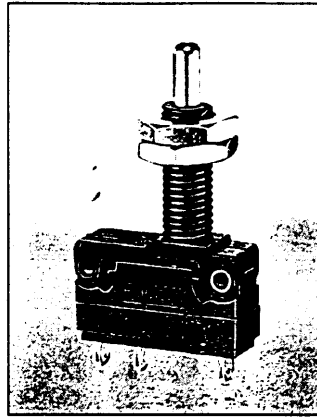


3189661



Panel-mounted Actuators for use with V4N/V4NS Series Sub-miniature Micro-Switches



A comprehensive new range of panel-mounted actuators with the following features:

- Can be fitted to all standard travel V4/V4NS switches
- Simple clip-on attachment
- Choice of either round or square push buttons and bezels
- Single hole mounting ($\varnothing 6.35$ mm) or via switch mounting holes
- Panel sealing if required
- Long overtravel stainless steel actuator version with 5 mm min. overtravel.

