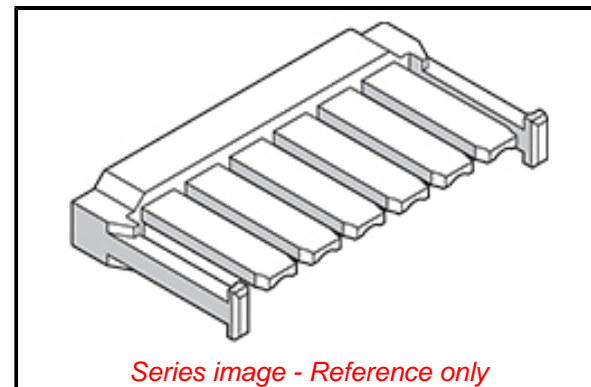


**PLEASE CHECK WWW.MOLEX.COM FOR LATEST PART INFORMATION**

**Part Number:** [1053252004](#)  
**Status:** **Active**  
**Overview:** [Nano-Fit Power Connectors](#)  
**Description:** Nano-Fit Terminal Position Assurance (TPA) Retainer, 2.50mm Pitch, 4 Circuits, Natural

**Documents:**

<a href="#">3D Model</a>	<a href="#">Test Summary 1053000000-TS-000 (PDF)</a>
<a href="#">Drawing (PDF)</a>	<a href="#">RoHS Certificate of Compliance (PDF)</a>
<a href="#">Product Specification PS-105300-100-001 (PDF)</a>	<a href="#">Product Literature (PDF)</a>
<a href="#">Packaging Specification PK-105325-100-000 (PDF)</a>	



**General**

Product Family	Accessories
Series	<a href="#">105325</a>
Comments	Operating temperature is -40#C to +105#C for tin and -40#C to +115#C for gold
Component Type	Terminal Position Assurance
Overview	<a href="#">Nano-Fit Power Connectors</a>
Product Literature Order No	987651-1223
Product Name	Nano-Fit, TPA - Term Pos Assurance
UPC	889056029148

**Physical**

Circuits (Loaded)	4
Circuits (maximum)	4
Color - Resin	Natural
Lock to Mating Part	Yes
Material - Resin	Nylon
Net Weight	0.120/g
Number of Rows	1
Packaging Type	Bag
Temperature Range - Operating	-40°C to +105°C, -40°C to +115°C

**Material Info**

**Reference - Drawing Numbers**

Packaging Specification	PK-105325-100-000
Product Specification	PS-105300-100-001
Sales Drawing	SD-105325-100-000
Test Summary	1053000000-TS-000

**EU ELV**

**Not Relevant**

**EU RoHS**

**Compliant**

**REACH SVHC**

Not Contained Per - ED/30/2017 (7 July 2017)

**Halogen-Free**

**Status**

**Low-Halogen**

**Need more information on product environmental compliance?**

Email [productcompliance@molex.com](mailto:productcompliance@molex.com)  
Please visit the [Contact Us](#) section for any non-product compliance questions.

China ROHS	Green Image
ELV	Not Relevant
RoHS Phthalates	Not Contained

**Search Parts in this Series**

[105325](#) Series

**Use With**

Nano-Fit TPA Receptacle Housing [105307](#) , [105308](#)