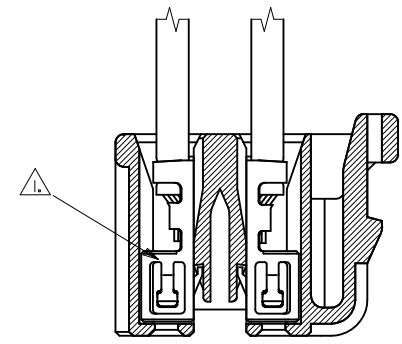


NOTES.

- 1. 適合ターミナル：501193-****
APPLICABLE TERMINAL：501193-****
- 2. 嵌合相手：501190-**1* , 501571-****
MATE WITH：501190-**1* , 501571-****
- 3. 極数/2=偶数に適用。
APPLY FOR CIRCUIT SIZE/2=EVEN



ターミナル装着図
TERMINAL ASSEMBLY DRAWING

24	25.3	26.7	501189-5010	50
19	20.3	21.7	501189-4010	40
14	15.3	16.7	501189-3010	30
9	10.3	11.7	501189-2010	20
C	B	A	MATERIAL NO.	CKT.

MATERIAL 66NYLON UL94V-0 COLOR:WHITE GLASS FILLED:0%	REVISED EC NO.: J2010-2217 DRWN:THANYU 2010/05/12 CHKD:KASAKAWA 2010/05/13 APPR:NUKITA 2010/05/14	GENERAL TOLERANCES (UNLESS SPECIFIED)		DIMENSION STYLE MM ONLY		SCALE 5:1		DESIGN UNITS METRIC		THIRD ANGLE PROJECTION	
		10 UNDER	±0.2	DRAWN BY	DATE	TITLE					
		10 OVER 30 UNDER	±0.25	NYOSHIDA	2004/12/17	1.0 WIRE TO BOARD CONN. 2-ROW RECEPTACLE HOUSING					
		30 OVER	±0.3	CHECKED BY	DATE						
ANGULAR ±3 °		DRAFT WHERE APPLICABLE MUST REMAIN WITHIN DIMENSIONS		APPROVED BY	DATE	MOLEX INCORPORATED		DOCUMENT NO.		SHEET NO.	
				ANODA	2004/12/17	SEE CHART		SD-501189-002		1 OF 1	
				MATERIAL NO.				THIS DRAWING CONTAINS INFORMATION THAT IS PROPRIETARY TO MOLEX INCORPORATED AND SHOULD NOT BE USED WITHOUT WRITTEN PERMISSION			
				SIZE		A3					