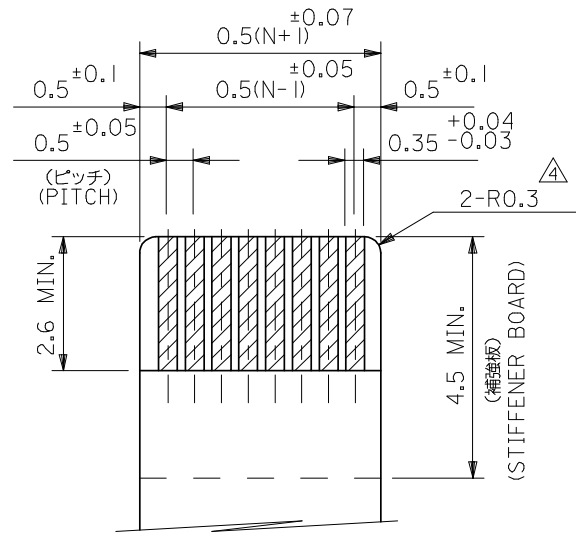
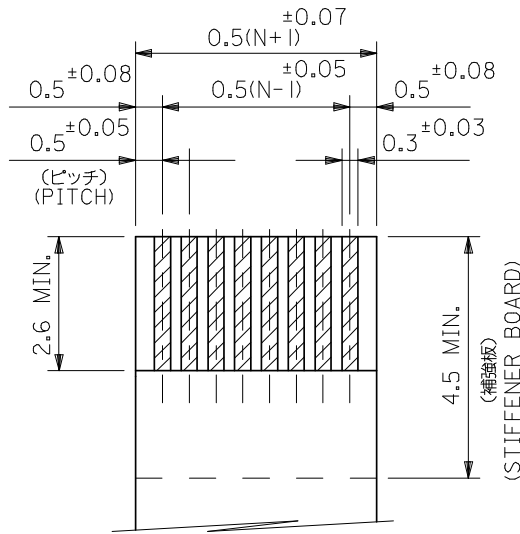


| | | | | | |
|------|------|------|-----------------------------------|--------------|---------|
| 13.5 | 12.5 | 15.1 | 51281-2694 | 51281-2640 | 26 |
| 12.5 | 11.5 | 14.1 | 51281-2494 | 51281-2440 | 24 |
| 11.5 | 10.5 | 13.1 | 51281-2294 | 51281-2240 | 22 |
| 10.5 | 9.5 | 12.1 | 51281-2094 | 51281-2040 | 20 |
| 9.5 | 8.5 | 11.1 | 51281-1894 | 51281-1840 | 18 |
| 8.5 | 7.5 | 10.1 | 51281-1694 | 51281-1640 | 16 |
| 7.5 | 6.5 | 9.1 | 51281-1494 | 51281-1440 | 14 |
| 6.5 | 5.5 | 8.1 | 51281-1294 | 51281-1240 | 12 |
| 5.5 | 4.5 | 7.1 | 51281-1094 | 51281-1040 | 10 |
| 5.0 | 4.0 | 6.6 | 51281-0994 | 51281-0940 | 9 |
| 4.5 | 3.5 | 6.1 | 51281-0894 | 51281-0840 | 8 |
| 3.5 | 2.5 | 5.1 | 51281-0694 | 51281-0640 | 6 |
| 3.0 | 2.0 | 4.6 | 51281-0594 | 51281-0540 | 5 |
| C | B | A | EMBOSSED TAPE ORDER No. オーダー番号 | MATERIAL NO. | CIRCUIT |

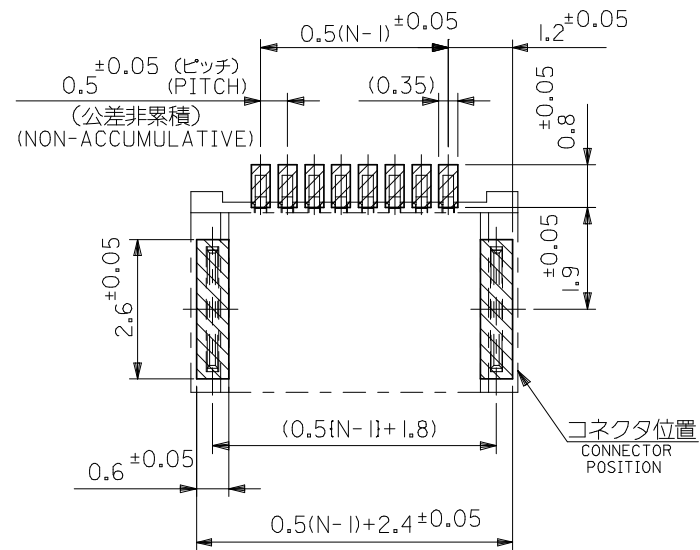
| | | | | | | |
|--|---------------------------------------|-------------|-----------------|--------------|---|------------------------|
| REVISED EC NO: J2008-4308 DRW: MNABEI 2008/06/27 CHK: D: THARUYAMA 2008/06/30 APPR: NUKITA 2008/06/30 | GENERAL TOLERANCES (UNLESS SPECIFIED) | | DIMENSION STYLE | SCALE | DESIGN UNITS | THIRD ANGLE PROJECTION |
| | | | MM ONLY | --- | METRIC | |
| | 10 UNDER | ±0.2 | DRAWN BY | DATE | TITLE | |
| | 10 OVER 30 UNDER | ±0.25 | KENSUZUKI | 2004/10/19 | 0.5 FPC CONN NON-ZIF HSG ASSY (HGT=1.2MM) -LEAD FREE- | |
| | 30 OVER | ±0.3 | CHECKED BY | DATE | MOLEX INCORPORATED | |
| ANGULAR ±3° | | APPROVED BY | DATE | MATERIAL NO. | DOCUMENT NO. | SHEET NO. |
| DRAFT WHERE APPLICABLE MUST REMAIN WITHIN DIMENSIONS | | NUKITA | 2004/10/19 | SEE TABLE | SD-51281-011 | 1 OF 2 |
| THIS DRAWING CONTAINS INFORMATION THAT IS PROPRIETARY TO MOLEX INCORPORATED AND SHOULD NOT BE USED WITHOUT WRITTEN PERMISSION | | | | | | |



適合FPC推奨寸法
APPLICABLE FPC
RECOMMENDED DIMENSION
(仕上がり厚さ: 0.3 ± 0.03)
(THICKNESS: 0.3 ± 0.03)



適合FFC推奨寸法
APPLICABLE FFC
RECOMMENDED DIMENSION
(仕上がり厚さ: 0.3 ± 0.03)
(THICKNESS: 0.3 ± 0.03)



参考基板レイアウト図
RECOMMENDED P.C. BOARD LAYOUT
(マウント面)
(MOUNTING SIDE)

注記 NOTES

1. 使用材料 MATERIAL
 ハウジング : 液晶ポリマー ガラス充填 UL94V-0
 HOUSING : LIQUID CRYSTAL POLYMER (GLASS FILLED) UL94V-0
 ターミナル : リン青銅 (t=0.2), ニッケル下地 コンタクト部: 金メッキ
 TERMINAL : PHOSPHOR-BRONZE, CONTACT : GOLD テール部: 錫メッキ
 TAIL : TIN
 OVER NICKEL PLATING
 金具 : リン青銅 (t=0.25), ニッケル下地 純錫メッキ
 FITTING NAIL : PHOSPHOR-BRONZE, PURE-TIN OVER NICKEL PLATING.
- △ ソルダータール半田付け面のズレ量、及び金具半田付け面のズレ量は、基準面 J に対し、上方向 0.1 MAXIMUM 下方向 0.15 MAXIMUM とする。
 又、相互のバラツキ量は 0.1 MAXIMUM とする。
 MISALIGNMENT OF SOLDER TAILS AND FITTING NAILS FROM J
 UPPER DIRECTION : 0.1 MAXIMUM, LOWER DIRECTION : 0.15 MAXIMUM.
 OFFSET BETWEEN SOLDER TAILS AND FITTING NAILS : 0.1 MAXIMUM.
- △ 偶数極に適用。
 TO BE APPLIED ONLY WHEN ALL CIRCUIT ARE EVEN.
- △ R0.3は、FPCの導体部にかからないこと。
 R0.3 MUST NOT BE ENLAPPED TO PATTERN OF FPC.

5. FPC/FFCについて:
 打抜き方向は導体側から補強板側を推奨いたします。
 導体部については軟銅箔35μmまたは50μm
 メッキ厚 0.1μm 金メッキ (電気メッキ)
 を推奨いたします。
 RECOMMENDED PUNCHER DIRECTION :
 FROM CONDUCTOR SIDE TO STIFFENER BOARD SIDE.
 RECOMMENDED CONDUCTOR SPEC :
 THICKNESS OF SOFT COPPER FOIL : 35 μm or 50 μm
 GOLD PLATING : 0.1 μm (ELECTRICAL PLATING)
6. 本製品は51281-**-20の鉛フリー品である。
 THIS PRODUCT IS LEAD FREE OF 51281-**-20.
7. ソルダータールの平坦度は、0.1 MAXIMUM とする。
 SOLDER TAIL COPLANARITY IS 0.1 MAXIMUM.

| | | | | | | | | | |
|---|-------------|--|--|---|--|---|--------------|------------------------|-----------|
| REVISED EC NO: J2008-4308 DRWN: WABEI 2008/06/27 CHKD: THARUYAMA 2008/06/30 APPR: NUKITA 2008/06/30 | DESCRIPTION | GENERAL TOLERANCES (UNLESS SPECIFIED) | | DIMENSION STYLE | | SCALE | 51281-**-40 | MODEL NO. | |
| | | | | MM ONLY | | --- | DESIGN UNITS | THIRD ANGLE PROJECTION | |
| | | | | | | TITLE | | MOLEX | SHEET NO. |
| | | | | | | 0.5 FPC CONN NON-ZIF HSG ASSY (HGT=1.2MM) -LEAD FREE- | | | |
| | | 10 UNDER ±0.2 | | DRAWN BY DATE | | DOCUMENT NO. | | 2 OF 2 | |
| | | 10 OVER 30 UNDER ±0.25 | | KENSUZUKI 2004/10/19 | | SD-51281-011 | | | |
| | | 30 OVER ±0.3 | | CHECKED BY DATE | | | | | |
| | | ANGULAR ±3 ° | | NUKITA 2004/10/19 | | | | | |
| | | DRAFT WHERE APPLICABLE MUST REMAIN WITHIN DIMENSIONS | | APPROVED BY DATE | | | | | |
| | | | | MATERIAL NO. | | | | | |
| | | | | SEE SHEET 1 | | | | | |
| | | | | SIZE | | | | | |
| | | | | A3 | | | | | |
| | | | | THIS DRAWING CONTAINS INFORMATION THAT IS PROPRIETARY TO MOLEX INCORPORATED AND SHOULD NOT BE USED WITHOUT WRITTEN PERMISSION | | | | | |

F

E

D

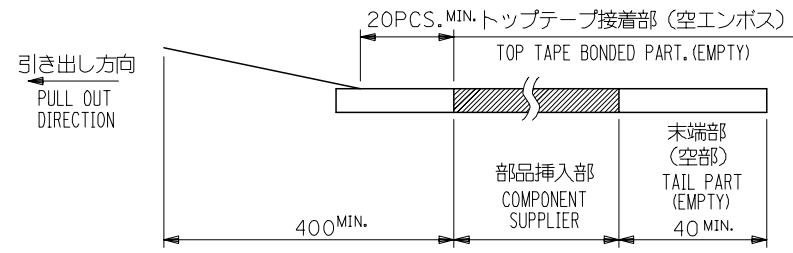
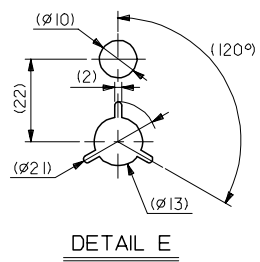
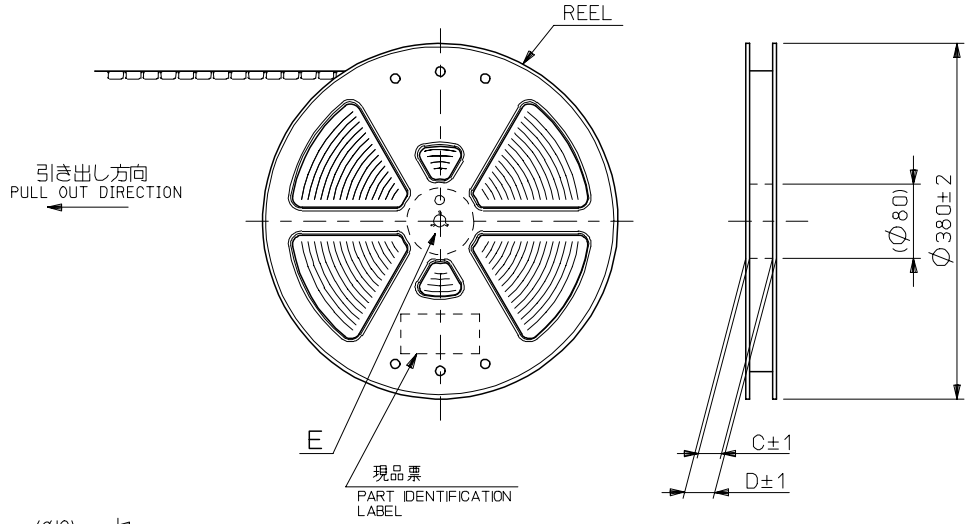
C

B

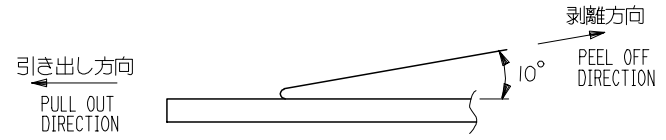
A

NOTES

- 製品詳細寸法については図面 SD-51281-011 を参照下さい。
RE DETAILED DIMENSION, SEE SD-51281-011
- 梱包数量：3000個/リール
NUMBER OF CONNECTORS : 3000PCS/REEL
- リードテープ長さ LEAD TAPE LENGTH



- トップテープの剥離強度：0.1N~1.3N {10gf~130gf} (剥離方向は下図参照)
尚、本規格値は出荷時に適用。(但し、輸送時に剥離が発生しないこと。)
PEELING OFF FORCE OF TOP TAPE : 0.1N~1.3N {10gf~130gf}
(PEELING DIRECTION AS SHOWN IN FOLLOWING FIG.)
THIS REQUIREMENT SHOULD BE APPLIED AT SHIPMENT.
PEEL OFF SHOULD NOT BE ALLOWED , DURING TRANSPORTATION.



- 材料 (MATERIAL)
キャリアテープ (CARRIER TAPE) : ポリプロピレン (POLYPROPYLENE)
トップテープ (TOPTAPE) : PET , PE , PEF
リール (REEL) : ポリスチレン (PS) <リサイクル材含む>
POLYSTYREN (PS) <RECYCLE MATERIAL CONTAINED>
- C, D 寸法は SHEET 2 ~ 3 を参照下さい。
SEE SHEET 2 ~ 3 (DIMENSION C, D).

| | | | | | | | |
|--|---------------------------------------|---------------------------|----------------------------|---|---|------------------------|------------------------|
| REVISED EC NO: J2006-0559 DRWN: NABEI 2005/08/22 CHKD: TOYODA 2005/08/23 APPR: NUKITA 2005/08/26 | GENERAL TOLERANCES (UNLESS SPECIFIED) | | DIMENSION STYLE MM ONLY | | SCALE --- | 51281-xx94 | MODEL NO. |
| | 10 UNDER | ±0.2 | DRAWN BY KENSUZUKI | DATE 2004/10/19 | TITLE | DESIGN UNITS METRIC | THIRD ANGLE PROJECTION |
| | 10 OVER 30 UNDER | ±0.25 | CHECKED BY NUKITA | DATE 2004/10/19 | 0.5 FPC CONN NON-ZIF (HGT=1.2MM) EMBSTP PKG -LEAD FREE- | MOLEX INCORPORATED | |
| | 30 OVER | ±0.3 | APPROVED BY NUKITA | DATE 2004/10/19 | | | |
| ANGULAR ±3 ° | | MATERIAL NO. SEE CHART | | DOCUMENT NO. SD-51281-012 | SHEET NO. 1 OF 4 | | |
| DRAFT WHERE APPLICABLE MUST REMAIN WITHIN DIMENSIONS | | SIZE A3 | | THIS DRAWING CONTAINS INFORMATION THAT IS PROPRIETARY TO MOLEX INCORPORATED AND SHOULD NOT BE USED WITHOUT WRITTEN PERMISSION | | | |

10 9 8 7 6 5 4 3 2 1

F

E

D

C

B

A

F

E

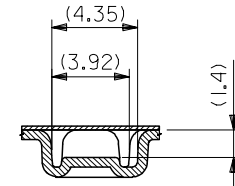
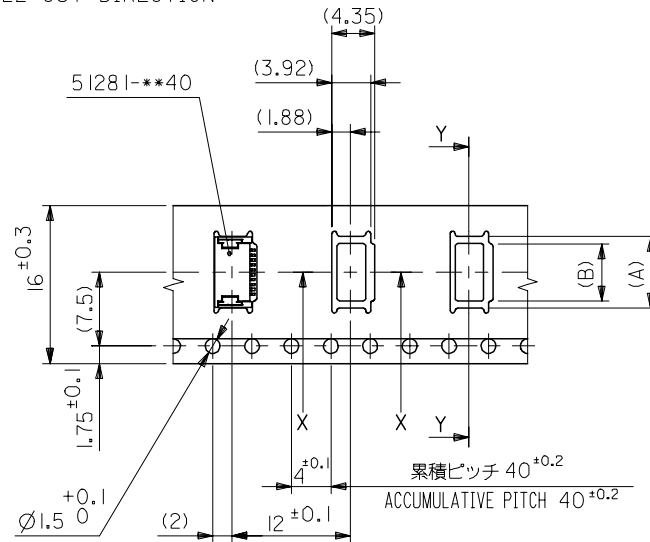
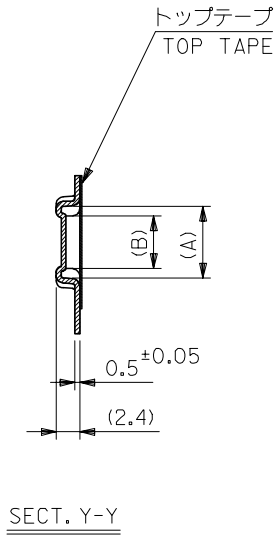
D

C

B

A

引き出し方向
PULL OUT DIRECTION



16mm幅キャリアテープ
16mm WIDTH CARRIER TAPE

| | | | | | | |
|--------------------------------|------|------|-----|-----|----------------------|-----------|
| 16 | 21.4 | 17.4 | 4.3 | 6.3 | 51281-0894 | 8 |
| | | | 3.3 | 5.3 | 51281-0694 | 6 |
| | | | 2.8 | 4.8 | 51281-0594 | 5 |
| キャリアテープ幅 CARRIER TAPE WIDTH | D | C | (B) | (A) | 製品番号 MATERIAL No. | 極数 Ck+ |
| 51281-***94 | | | | | MODEL NO. | |

| | | | | | | | |
|---|---------------------------------------|--|----------------------------|--------------------|--|------------------------------|---------------------|
| REVISED EC NO: J2006-0559 DRWN: NABEI 2005/08/22 CHK: KATOYODA 2005/08/23 APPR: NUKITA 2005/08/26 | GENERAL TOLERANCES (UNLESS SPECIFIED) | | DIMENSION STYLE MM ONLY | SCALE --- | DESIGN UNITS METRIC | THIRD ANGLE PROJECTION | |
| | 10 UNDER | ±0.2 | DRAWN BY KENSUZUK | DATE 2004/10/19 | TITLE 0.5 FPC CONN NON-ZIF (HGT=1.2MM) EMBSTP PKG -LEAD FREE- | | |
| | 10 OVER 30 UNDER | ±0.25 | CHECKED BY NUKITA | DATE 2004/10/19 | MOLEX INCORPORATED | | |
| | 30 OVER | ±0.3 | APPROVED BY NUKITA | DATE 2004/10/19 | MATERIAL NO. | DOCUMENT NO. SD-51281-012 | SHEET NO. 2 OF 4 |
| | ANGULAR | ±3 ° | SEE CHART | | | | |
| DRAFT WHERE APPLICABLE MUST REMAIN WITHIN DIMENSIONS | | THIS DRAWING CONTAINS INFORMATION THAT IS PROPRIETARY TO MOLEX INCORPORATED AND SHOULD NOT BE USED WITHOUT WRITTEN PERMISSION | | | | | |

9

8

7

6

5

4

3

2

10 9 8 7 6 5 4 3 2 1

F

E

D

C

B

A

F

E

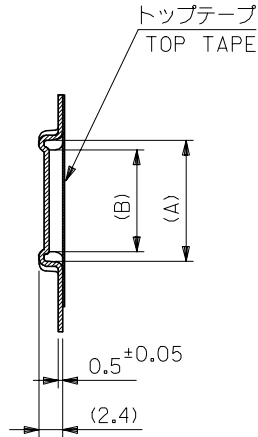
D

C

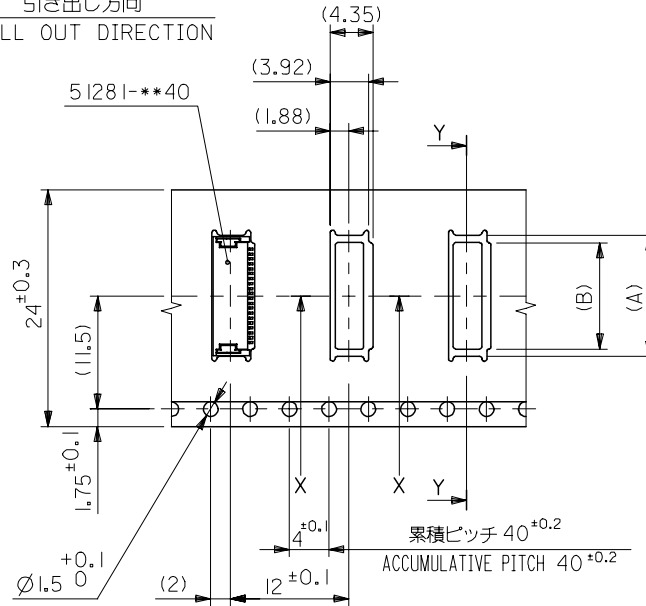
B

A

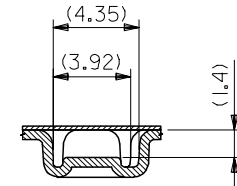
引き出し方向
PULL OUT DIRECTION



SECT. Y-Y



24mm幅キャリアテープ
24mm WIDTH CARRIER TAPE



SECT. X-X

| | | | | | | | | |
|--------------------------------|------|------|------|------|------------|-----------|----------------------|-----------|
| 24 | 29.4 | 25.4 | 12.3 | 14.3 | 51281-2494 | 24 | | |
| | | | 11.3 | 13.3 | 51281-2294 | 22 | | |
| | | | 10.3 | 12.3 | 51281-2094 | 20 | | |
| | | | 9.3 | 11.3 | 51281-1894 | 18 | | |
| | | | 8.3 | 10.3 | 51281-1694 | 16 | | |
| | | | 7.3 | 9.3 | 51281-1494 | 14 | | |
| | | | 6.3 | 8.3 | 51281-1294 | 12 | | |
| | | | 5.3 | 7.3 | 51281-1094 | 10 | | |
| | | | 4.8 | 6.8 | 51281-0994 | 9 | | |
| キャリアテープ幅 CARRIER TAPE WIDTH | | | D | C | (B) | (A) | 製品番号 MATERIAL No. | 極数 Ck+ |
| 51281-**-94 | | | | | | | | |
| | | | | | | MODEL No. | | |

| | | | | | | | | |
|---|---|--|--|-----------------------|--------------------|---------------------------|--|------------------------------|
| REVISED EC NO: J2006-0559 DRWN: NABEI 2005/08/22 CHKDK: TOYODA 2005/08/23 APPR: NUKITA 2005/08/26 | DESCRIPTION GENERAL TOLERANCES (UNLESS SPECIFIED) | DIMENSION STYLE MM ONLY | | SCALE | DESIGN UNITS | THIRD ANGLE PROJECTION | | |
| | | 10 UNDER ±0.2 10 OVER 30 UNDER ±0.25 30 OVER ±0.3 | | --- | METRIC | | | |
| | | ANGULAR ±3 ° | | DRAWN BY KENSUZUKI | DATE 2004/10/19 | | TITLE 0.5 FPC CONN NON-ZIF (HGT=1.2MM) EMBSTP PKG -LEAD FREE- | |
| | | DRAFT WHERE APPLICABLE MUST REMAIN WITHIN DIMENSIONS | | CHECKED BY NUKITA | DATE 2004/10/19 | | MOLEX INCORPORATED | |
| | | | | APPROVED BY NUKITA | DATE 2004/10/19 | | MATERIAL NO. SEE CHART | DOCUMENT NO. SD-51281-012 |

9

8

7

6

5

4

3

2

10 9 8 7 6 5 4 3 2 1

F

F

E

E

D

D

C

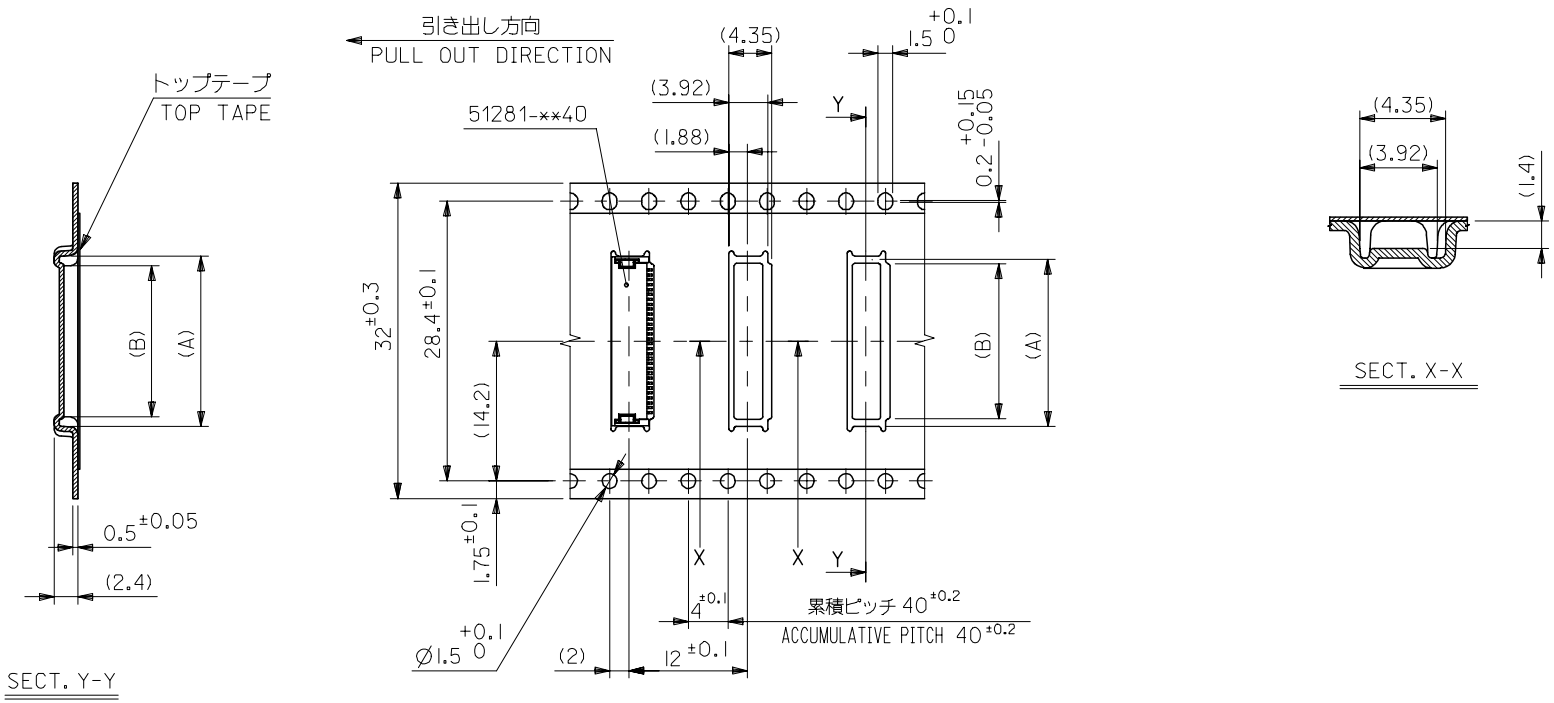
C

B

B

A

A



32mm幅キャリアテープ
32mm WIDTH CARRIER TAPE

| | | | | | | |
|--------------------------------|------|------|------|------|----------------------|-----------|
| 32 | 37.4 | 33.4 | 13.3 | 15.3 | 51281-2694 | 26 |
| キャリアテープ幅 CARRIER TAPE WIDTH | D | C | (B) | (A) | 製品番号 MATERIAL No. | 極数 CK+ |

| | | | | | | | |
|---|---------------------------------------|--|----------------------------|--------------------|---|------------------------|------------------------|
| REVISED EC NO: J2006-0559 DRWN: NABEI 2005/08/22 CHKDK: TOYODA 2005/08/23 APPR: NUKITA 2005/08/26 | GENERAL TOLERANCES (UNLESS SPECIFIED) | | DIMENSION STYLE MM ONLY | | SCALE --- | DESIGN UNITS METRIC | THIRD ANGLE PROJECTION |
| | 10 UNDER | ±0.2 | DRAWN BY KENSUZUKI | DATE 2004/10/19 | TITLE 0.5 FPC CONN NON-ZIF (HGT=1.2MM) EMBSTP PKG -LEAD FREE- | | |
| | 10 OVER 30 UNDER | ±0.25 | CHECKED BY NUKITA | DATE 2004/10/19 | | | |
| | 30 OVER | ±0.3 | APPROVED BY NUKITA | DATE 2004/10/19 | MOLEX INCORPORATED MATERIAL NO. _____ DOCUMENT NO. SD-51281-012 SHEET NO. 4 OF 4 | | |
| ANGULAR | ±3 ° | DRAFT WHERE APPLICABLE MUST REMAIN WITHIN DIMENSIONS | | | | | |

9

8

7

6

5

4

3

2