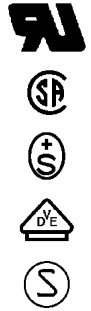


Actual information about approvals can be found on
<http://www.schurter.com/approvals>



KEA

KEA



C14



70° C

Plug removal necessary for fuse replacement

Description

- Panel mount:
Screw-on version from front or rear side, snap-in version from front side
- 3 Functions:
Connector Protection class I, Fuseholder for fuse-links 5 x 20 mm 1- or 2-pole, with or without voltage selector (step switch)
- Quick connect terminals 4.8 x 0.8 mm
- Alternative: version with line filter [KFA](#)

Characteristics

- Available with or without internal connections
- Plug removal necessary for fuse-link replacement
The fuse drawer "Fingergrip" can be removed by hand
For added safety "Extra-Safe" fuse drawers are available
Fuse drawer meets requirements of medical standard IEC/EN 60601-1
The fuseholder is accessible from the equipment front
- Qualified for use in equipment according IEC/EN 60950

Other versions on request:

- with solder terminals
- fuse drawer with other voltage values
- for protection class II

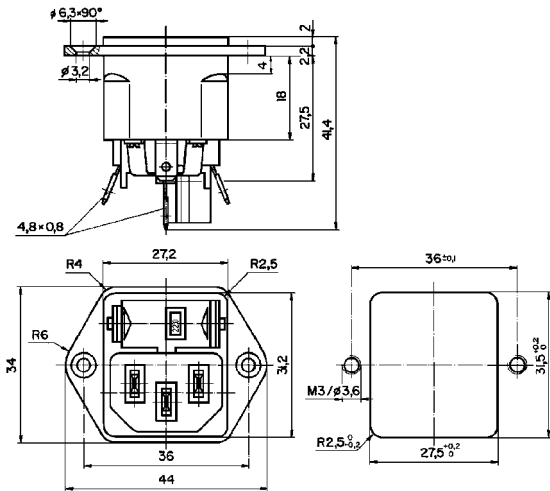
Technical data

Ratings IEC	10 A / 250 VAC; 50 Hz
Ratings UL/CSA	10 A / 250 VAC; 60 Hz
Dielectric strength	> 3 kVAC between L-N > 4 kVAC between L/N-PE (1 min/50 Hz)
Allowable operation temp.	-25 °C to 70 °C
Degree of protection	from front side IP40 acc. to IEC 60529
Protection class	Suitable for appliances with protection class I acc. to IEC 61140
Terminals	Quick connect terminals 4.8 x 0.8 mm
Panel thickness s	Screw-on: max 8 mm Mounting screw torque max 0.5 Nm Snap-in: 1.5/2/2.5 mm
Materials: Housing	Thermoplastic, black, UL 94V-0

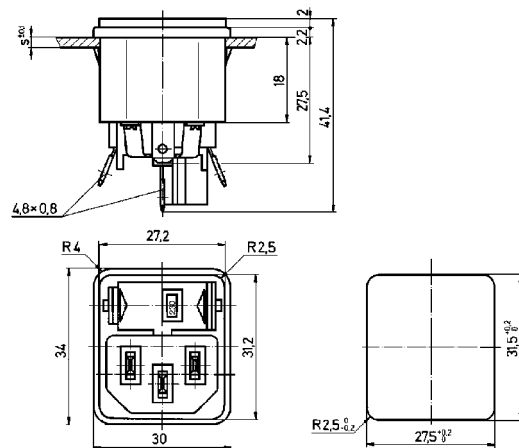
Appliance-inlet /-outlet	C14 acc. to IEC/EN 60320-1, UL 498, CSA C22.2 no. 42 (for cold condition) pin-temperature 70 °C, 10 A, Protection class I
Fuseholder	1- or 2-pole, Shocksave category PC2 acc. to IEC/EN 60127-6, for fuse-links 5 x 20 mm
Rated power acceptance @ Ta 23 °C	5 x 20: 2 W (1-pole)/ 1.6 W (2-pole) per pole
Power acceptance @ Ta > 23°C	Admissible power acceptance at higher ambient temperature see derating curves. Take note of the information GENERAL PRODUCT INFORMATION
Voltage selector	optional, step, 2-4 digits

Dimensions

Screw-on mounting type KEA

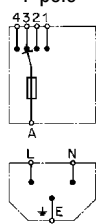


Snap-in mounting type KEA



Diagrams

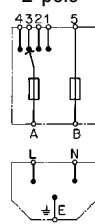
without internal connections
voltage selector
4-positions
1-pole



voltage selector
2-positions
1-pole



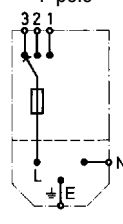
without internal connections
voltage selector
4-positions
2-pole



voltage selector
2-positions
2-pole



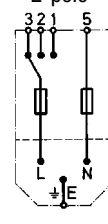
with internal connections
voltage selector
3-positions
1-pole



without voltage selector
1-pole



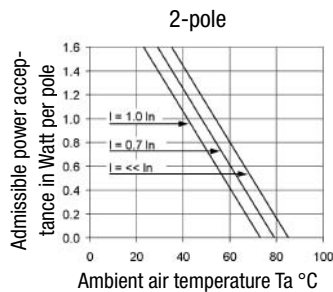
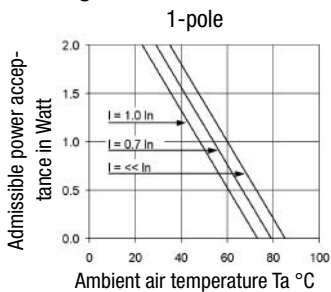
with internal connections
voltage selector
3-positions
2-pole



without voltage selector
2-pole



Derating curves



Variants

Fingergrip and Extra-Safe

Fuse drawer must be ordered separately

Order Number	Type	Panel mounting	Panel thickness s [mm]	Fuseholder	Voltage selector	internal wired
4301.0522	KEA	Snap-in	1.5	1-pole	without	●
4301.0523	KEA	Snap-in	2	1-pole	without	●
4301.0524	KEA	Snap-in	2.5	1-pole	without	●
4301.0022	KEA	Snap-in	1.5	1-pole	3 digits	●
4301.0023	KEA	Snap-in	2	1-pole	3 digits	●
4301.0024	KEA	Snap-in	2.5	1-pole	3 digits	●
4301.2062	KEA	Snap-in	1.5	1-pole	3/4 digits	
4301.2063	KEA	Snap-in	2	1-pole	3/4 digits	
4301.2064	KEA	Snap-in	2.5	1-pole	3/4 digits	
4301.0502	KEA	Snap-in	1.5	2-pole	without	●
4301.0503	KEA	Snap-in	2	2-pole	without	●
4301.0504	KEA	Snap-in	2.5	2-pole	without	●
4301.0002	KEA	Snap-in	1.5	2-pole	3 digits	●
4301.0003	KEA	Snap-in	2	2-pole	3 digits	●
4301.0004	KEA	Snap-in	2.5	2-pole	3 digits	●
4301.2042	KEA	Snap-in	1.5	2-pole	3/4 digits	
4301.2043	KEA	Snap-in	2	2-pole	3/4 digits	
4301.2044	KEA	Snap-in	2.5	2-pole	3/4 digits	
4301.0521	KEA	Screw-on		1-pole	without	●
4301.0021	KEA	Screw-on		1-pole	3 digits	●
4301.2061	KEA	Screw-on		1-pole	3/4 digits	
4301.0501	KEA	Screw-on		2-pole	without	●
4301.0001	KEA	Screw-on		2-pole	3 digits	●
4301.2041	KEA	Screw-on		2-pole	3/4 digits	

Packaging unit

50 Pcs

Accessories

ACCESSORIES