

# 8800 Thinline Rocker Switches 10A 250Vac



10(6)A 250Vac T100  
6(2)A 250Vac T100 5E4 (50,000 Operations)  
Inrush 50A to EN60065:1998



UL CSA 15A 250Vac (Twin unit is 10A 250Vac)  
UL CSA 125Vac 1/2hp  
UL 100°C, file E45221, CSA file LR10990

*In house test* 10A 28Vdc

3mm contact gap  
Technical data on pages 4 & 5

**H 8800 V A - - -**  
 TERMINAL FUNCTION ROCKER BODY PRINT, COLOUR, ETC

▶ TERMINAL	▶ FUNCTION		▶ ROCKER
<b>H</b>  4.8 x 0.8		 Switches are ON when pressed over terminal 1	<b>V</b> Curved  
	<b>8800</b> ◆	 ON - OFF Single pole	
	 <b>8801</b> Call factory for ratings & dimensions	ON - OFF (momentary ON) Single pole	
<b>T</b>  3.5 x 0.8 Solder	 <b>8802</b> Call factory for ratings & dimensions	ON - OFF (momentary OFF) Single pole	
		 Switches are ON when pressed over terminals 1 or 3	
	<b>8800/8800</b>	 ON - OFF Twin (Single pole)	



H8800VA ---  
T8800VA ---



H8800VA ---  
T8800VA ---



H8800V/H8800VA  
T8800V/T8800VA

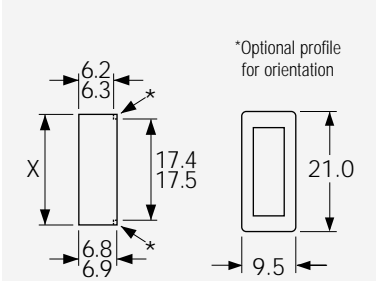


H8800V/H8800VA  
T8800V/T8800VA

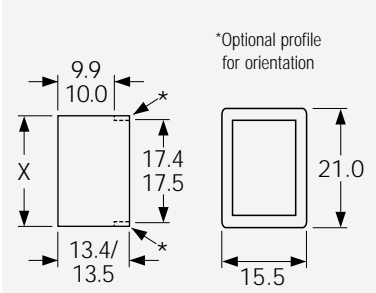
**BODY**

Panel cut-outs      Flange  
Cut-outs must be punched in the direction of insertion

**A Single pole**



**A Single pole - Twin**



Panel thickness	Dim X
0.75-1.24	19.1/19.2
1.25-1.99	19.3/19.4
2.00-3.00	19.7/19.8

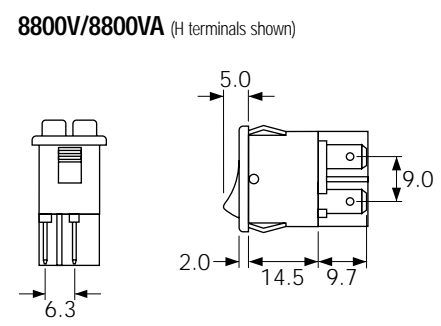
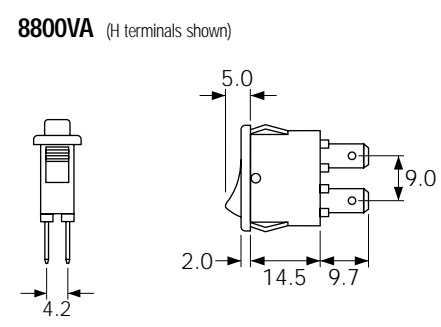
**OPTIONS**

**Finish**  
Matt finish only

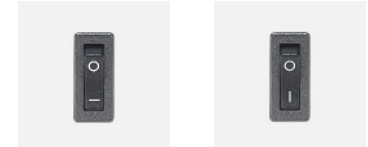
**Colour**  
Call factory for custom colours.  
A full range is available for large orders

**Legend printing**  
Select from the examples or call the factory for custom legends

**Dimensions (mm)**



**Examples of printing**



CL132

CL133