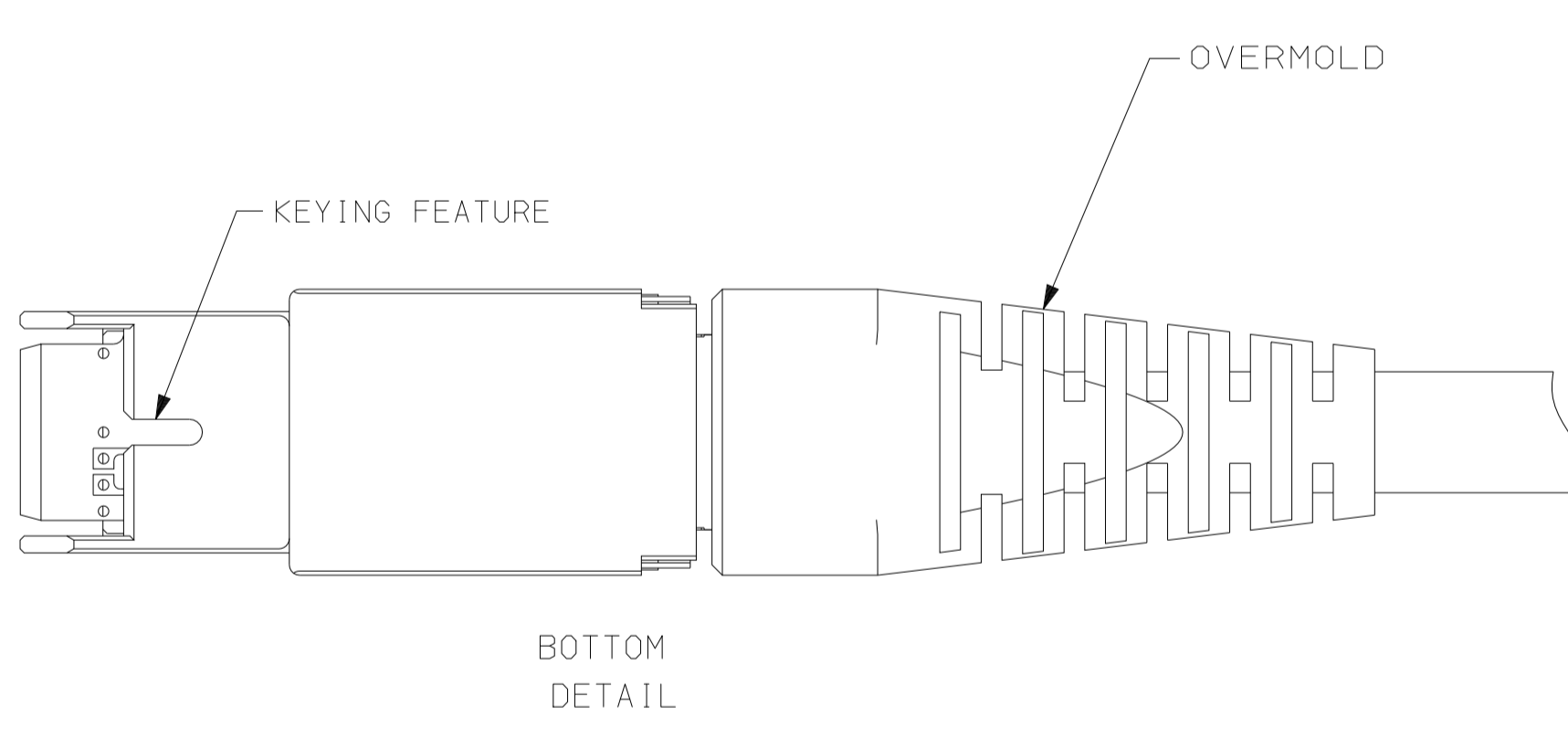
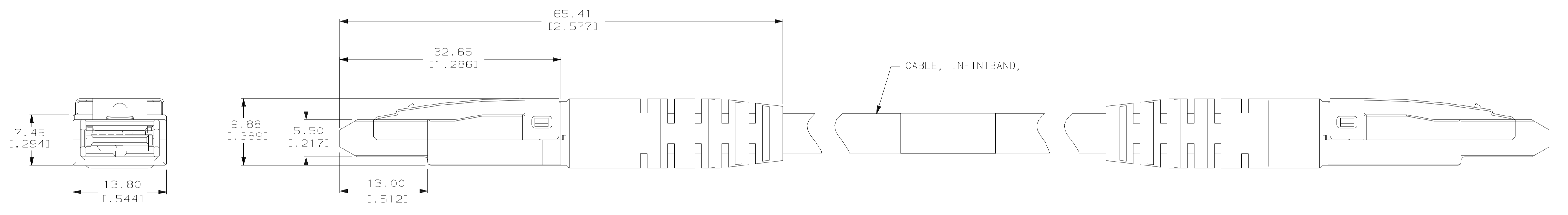
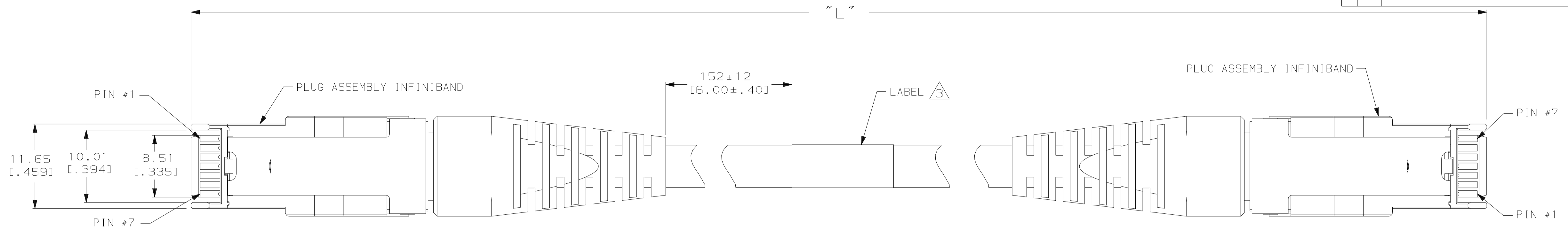


LOC		DIST		REVISIONS			
GP	00	SP	LTR	DESCRIPTION	DATE	DWN	APVD
		0		RELEASE -1 THRU -6	23JAN06	TS	DL



- CHARACTERISTIC IMPEDANCE: (SEE TABLE) (MEASURED DIFFERENTIALLY).
- LINE TO LINE SKEW (WITHIN A PAIR): LESS THEN 200 psec (MEASURED AT 50%).
- ASSY IDENTIFICATION LABEL TO BE LOCATED AS SHOWN, LABEL TO READ:

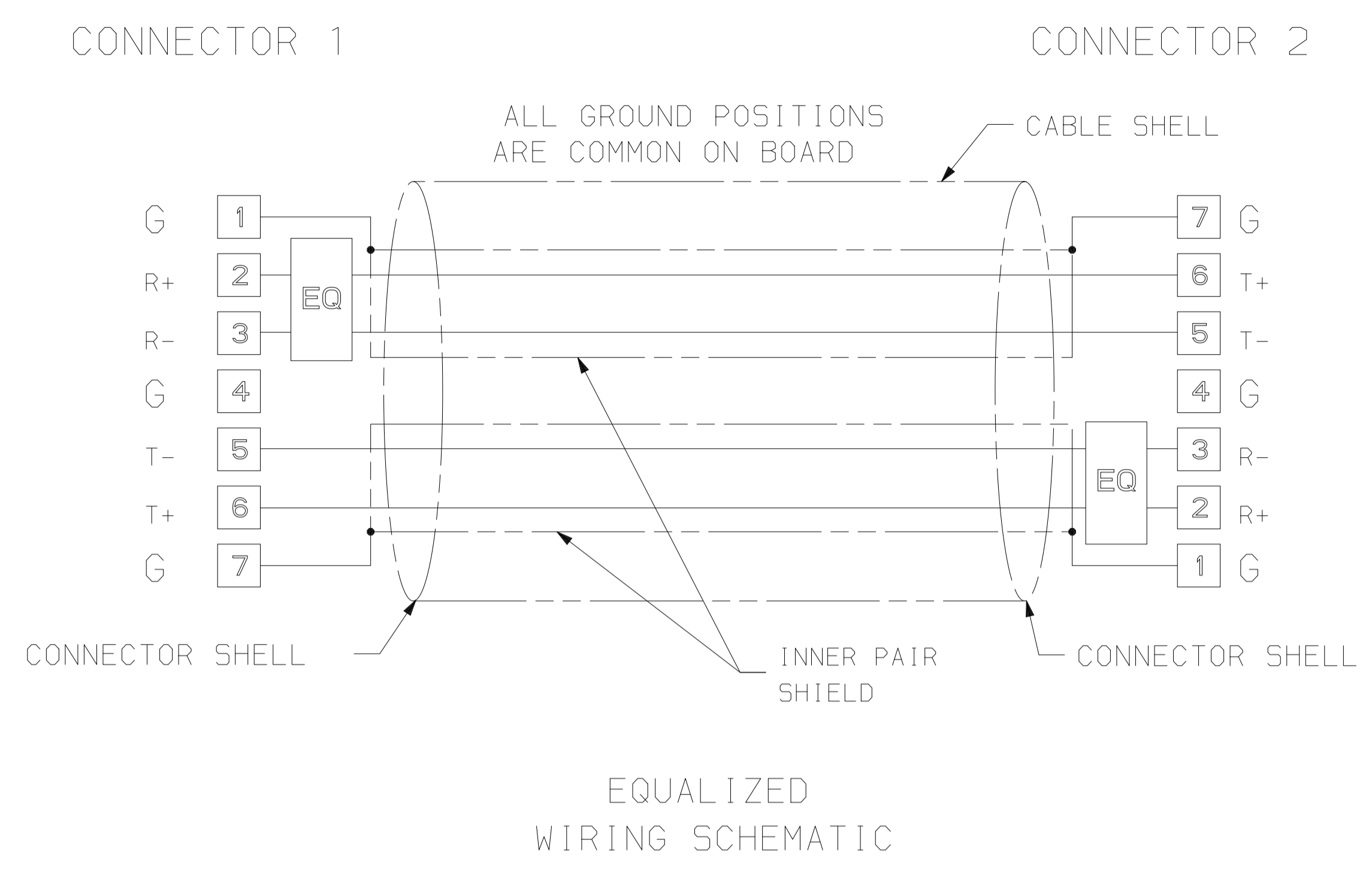
AMP
AMP PART NO.
DATE CODE (YEAR/WEEK) EX 0601
COUNTRY OF ORIGIN
- PRODUCT AND PROCESSING MEETS REQUIREMENTS OF TYCO ELECTRONICS STANDARD 230-702 2.2.A.

EQUALIZED	100 Ω	28	5M ± 0.07M	6364561-6
EQUALIZED	100 Ω	28	4M ± 0.07M	6364561-5
EQUALIZED	100 Ω	28	3M ± 0.07M	6364561-4
EQUALIZED	100 Ω	28	2M ± 0.07M	6364561-3
EQUALIZED	100 Ω	28	1M ± 0.04M	6364561-2
EQUALIZED	100 Ω	28	0.5M ± 0.04M	6364561-1
SCHEMATIC	IMPEDANCE	CABLE SIZE AWG	"L"	PART NUMBER

THIS DRAWING IS A CONTROLLED DOCUMENT.

DIMENSIONS: mm [INCHES]	TOLERANCES UNLESS OTHERWISE SPECIFIED:	DWN: T. SMITH 15AUG01	AMP Incorporated Harrisburg, PA 17105-3608
0 PLC ±.01	1 PLC ±.02	CHK: D. DUPLER 15AUG01	NAME: CABLE ASSEMBLY, PLUG, HSSDC2, INFINIBAND
2 PLC ±.03	3 PLC ±.04	APVD: D. DUPLER 15AUG01	
4 PLC ±.05	ANGLES	PRODUCT SPEC	SIZE: A1 00779
MATERIAL	FINISH	APPLICATION SPEC	CAGE CODE: 6364561
		WEIGHT	RESTRICTED TO
		CUSTOMER DRAWING	SCALE: 1 OF 2 SHEET

LOC		DIST		REVISIONS			
GP	00	SP	LTR	DESCRIPTION	DATE	DWN	APVD
		-		SEE SHEET 1	-	-	-



THIS DRAWING IS A CONTROLLED DOCUMENT.		DWN T. SMITH 23JAN06	AMP Incorporated Harrisburg, PA 17105-3608
DIMENSIONS: mm [INCHES]		CHK D. LAWRENCE 23JAN06	
TOLERANCES UNLESS OTHERWISE SPECIFIED:		APVD D. LAWRENCE 23JAN06	NAME CABLE ASSEMBLY, PLUG, HSSDC2, INFINIBAND
0 PLC ±.01	1 PLC ±.02	PRODUCT SPEC	SIZE CAGE CODE DRAWING NO
2 PLC ±.03	3 PLC ±.04	APPLICATION SPEC	A1 00779 C= 6364561
4 PLC ±.05	ANGLES	RESTRICTED TO	
MATERIAL	FINISH	WEIGHT	CUSTOMER DRAWING
			SCALE - SHEET 2 OF 2 REV 0