

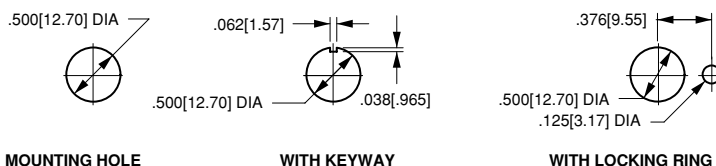
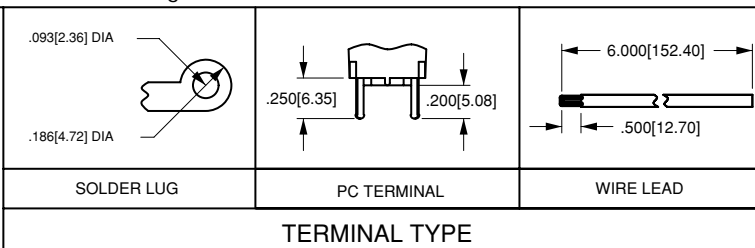
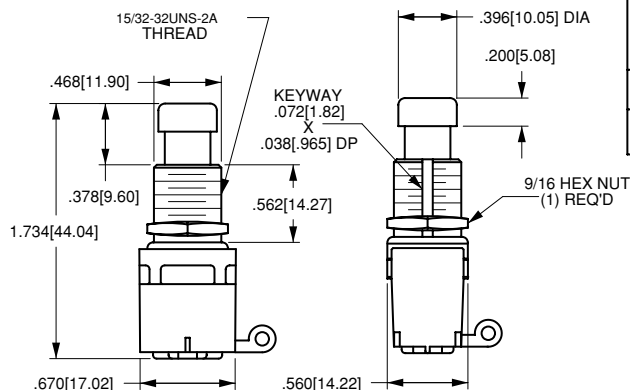
**641/110P-Series Pushbutton Switches**



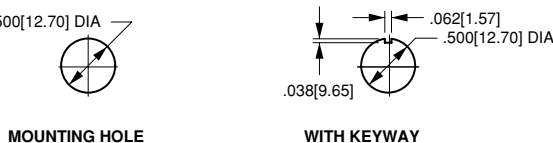
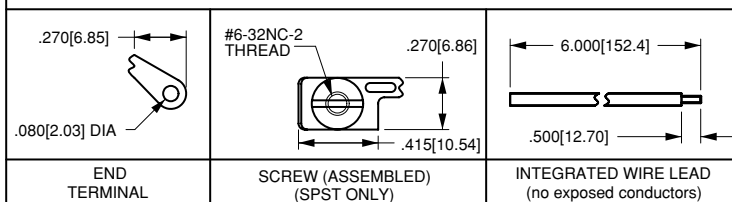
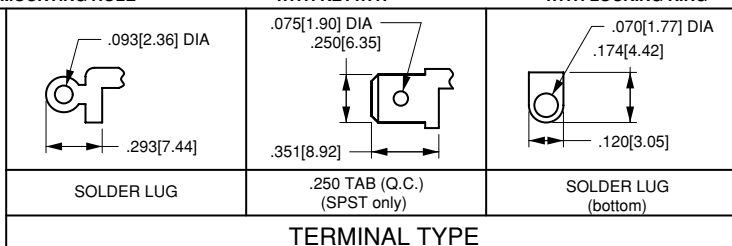
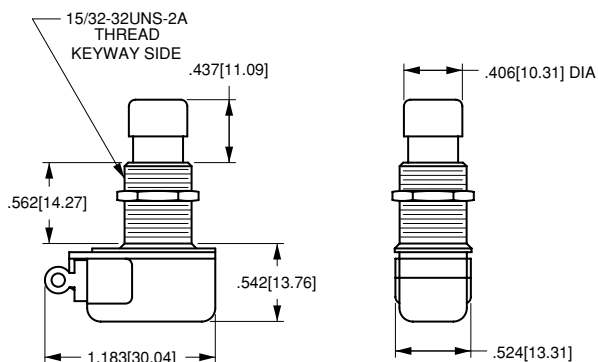
The single pole 110 and 641 series represent the most compact offerings of our pushbutton switch line. Rugged metal construction, self cleaning contacts and stiff actuation force (3-3 1/2 lbs. typical) have made these switches ideal for most "foot pedal" type applications. These alternate action switches fit a standard .500" mounting hole, have termination options including solder lug, wire lead and PC, and are popular within The Music Industry and Audio-visual market segments.

**Dielectric Strength**  
UL/CSA: 1000V - live to dead metal & opposite polarity  
**Electrical Life**  
100,000 cycles  
**Mechanical Life**  
25,000 cycles  
**Operating Temperature**  
32°F to 185°F (0°C to +85°C)

**641-Series Dimensional Specifications: in.[mm]**



**110-Series Dimensional Specifications: in.[mm]**



NOTE:  
KEYWAY  
.072[1.82] X .038[.965] DP

**64111210**  
**1**  
**Part Number**

**1 PART NUMBER: SERIES/ POLES/ RATING / CIRCUITRY/ TERMINATION**  
**641-SERIES**

<i>single pole</i>			<i>double pole</i>		
<i>solder lug</i>	<i>PC term</i>	<i>wire leads</i>	<i>solder lug</i>	<i>PC term</i>	<i>wire leads</i>
6411210	6411212	6411215	ON-OFF 6412210	6412212	6412215
6411220	6411222	6411225	ON-ON 6412220	6412222	6412225

**110-SERIES**

**single pole** 3A 250VAC, 6A 125VAC, AC/DC

	<i>solder lug</i>	<i>solder lug (btm)</i>	<i>screw term</i>	<i>wire lead</i>	<i>.250 tab</i>
ON-OFF	110-P	110-BP	110-SP	111-16-P	110-P-TABS
OFF-(ON)	110-PM-OFF	110-PBM-OFF	110-SPM-OFF	111-PM-OFF	110-PM-OFF-TABS
ON-(OFF)	110-PM-ON	110-PBM-ON	110-SPM-ON	111-PM-ON	110-PM-ON-TABS

NOTE  
( ) - indicates momentary function.