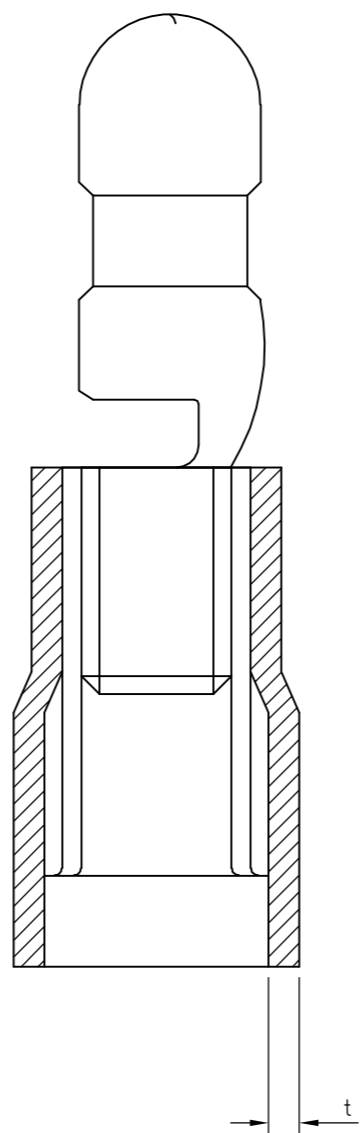
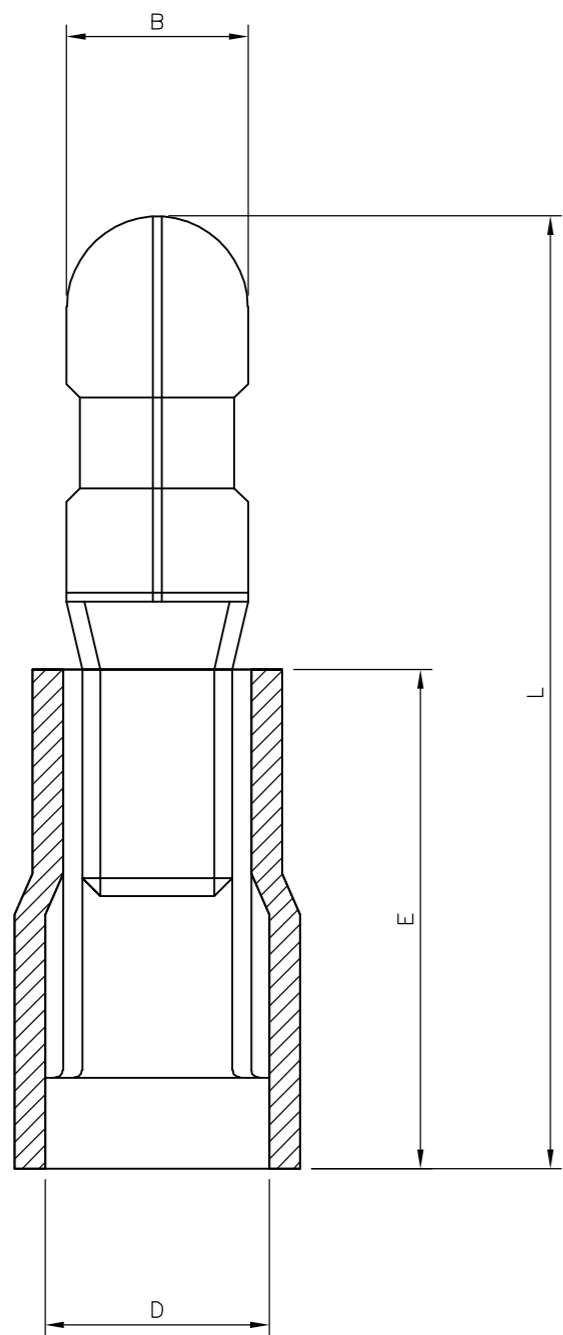
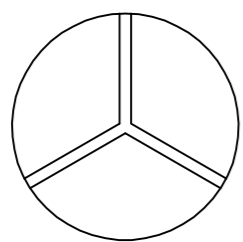


THIS DRAWING IS UNPUBLISHED. RELEASED FOR PUBLICATION 24AUG ,2005.  
 © COPYRIGHT 2005 BY TYCO ELECTRONICS CORPORATION. ALL RIGHTS RESERVED.

LOC		DIST		REVISIONS			
P	LTR	DESCRIPTION		DATE	DWN	APVD	
	A	FIRST ISSUE		24AUG05	KR	FWK	



- NOTES:
- FOR TECHNICAL DATA REFER TO YOUR LOCAL TYCO ELECTRONICS SALES OFFICE.
  - ALL DIMENSIONS ARE NOMINAL FOR REFERENCE ONLY UNLESS OTHERWISE STATED.
  - FOR PACKAGING DETAILS SEE SHEET 2.
  - MATERIAL: BODY - BRASS  
SLEEVE - PVC (K65), 94V-0
  - APPLICATION SPEC 114-13196

NOTE: TERMINAL COPPER THICKNESS: t

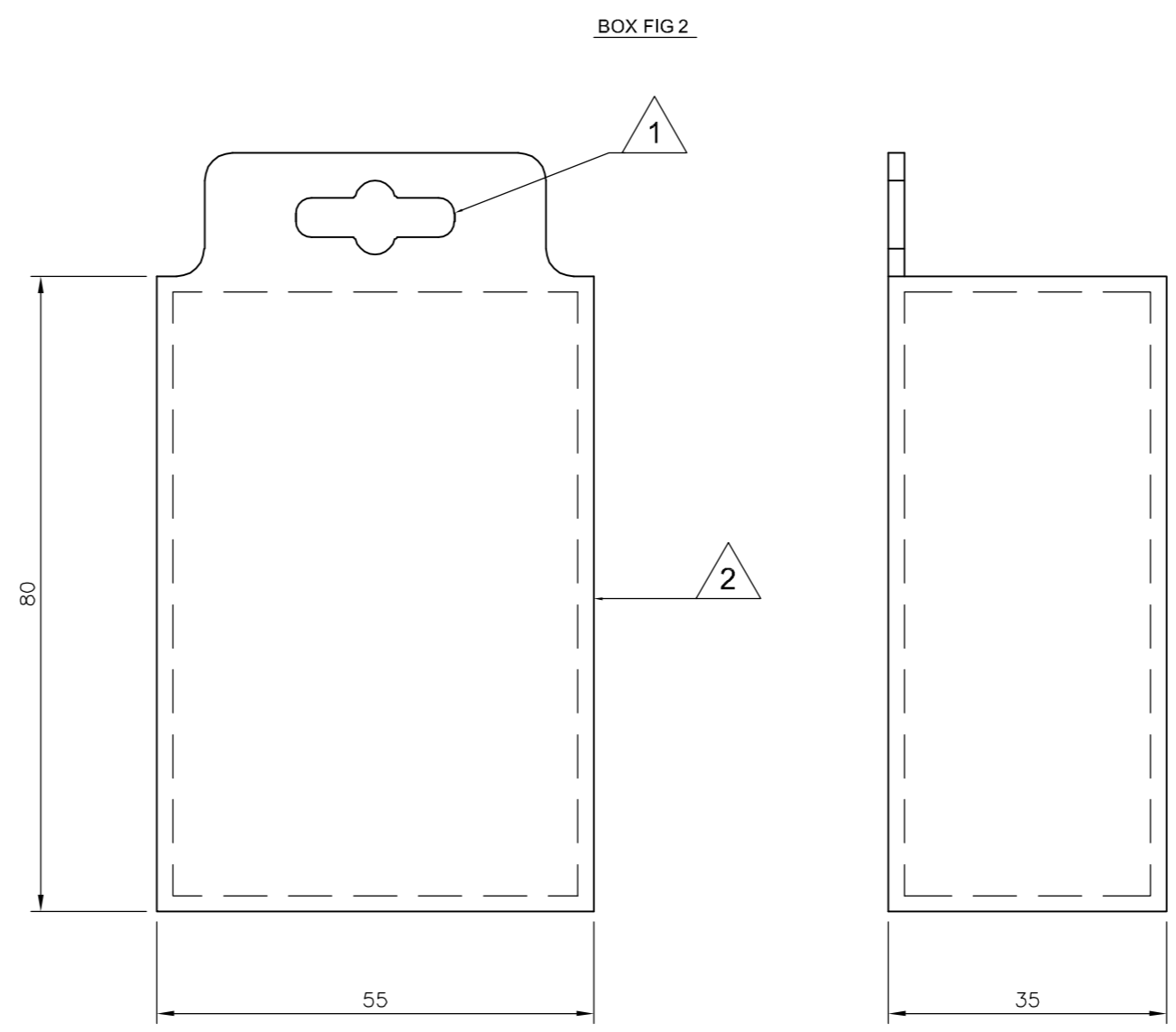
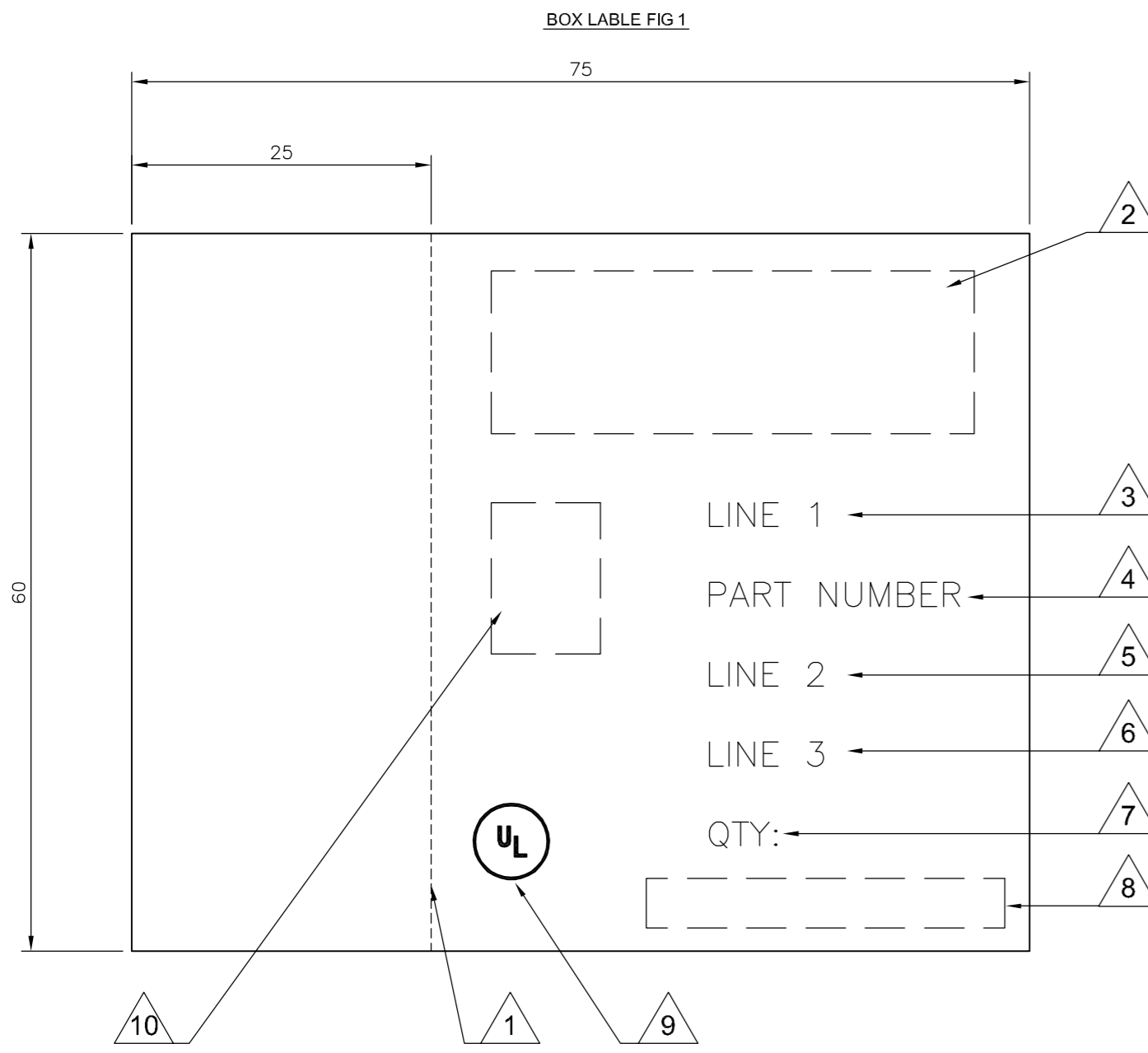
2-1838232-0	1.5mmsq - 2.5mmsq	4x11mm STANDARD ENTRY	BLUE MALE BULLET TERMINAL (INSULATED)	3000	1000	4.00	22.00	4.90	11.00	0.40	0.80	1.5mmsq - 2.5mmsq	4.0 X 11.0	BLUE MALE BULLET TERMINAL (INSULATED)	2-1838232-0
1-1838232-0	16-14(AWG)			3500	100							16-14(AWG)			1-1838232-0
STOCK NUMBER	PACKING LABEL DESCRIPTION LINE 3	PACKING LABEL DESCRIPTION LINE 2	PACKING LABEL DESCRIPTION LINE 1	INNER CARTON QTY	QTY	DIMENSIONS					WIRE SIZE (mmsq) & (AWG)	SIZE (mm)	DESCRIPTION	PART No	
						B (±0.30)	L (±1.50)	D (±0.50)	E (±0.50)	t (±0.10)	t1 (±0.20)				

THIS DRAWING IS A CONTROLLED DOCUMENT.

DWN	K.Raghuandan	24AUG05
CHK	S. Parlow	03/04/07
APVD	F. Wheeler-King	03/04/07
NAME	Tyco Electronics Corporation, Bideford, UK, EX39 4HE	
PRODUCT SPEC	EURO-CRIMP INSULATED BLUE MALE BULLET TERMINAL 1.5mmsq - 2.5mmsq / 16-14 AWG RANGE	
APPLICATION SPEC	-	
WEIGHT	-	-
SCALE	A2	00779
CAGE CODE	C=1838232	
DRAWING NO	-	
RESTRICTED TO	-	
CUSTOMER DRAWING	SCALE	NTS
SHEET	1	OF 2
REV	A	

THIS DRAWING IS UNPUBLISHED. RELEASED FOR PUBLICATION 24AUG ,2005.  
 © COPYRIGHT 2005 BY TYCO ELECTRONICS CORPORATION. ALL RIGHTS RESERVED.

LOC		DIST		REVISIONS			
P	LTR	DESCRIPTION	DATE	DWN	APVD		
-	-	SEE SHEET 1	-	-	-		



- LABEL NOTES:**
- 1. PERFORATED LINE: DOTTED LINE TO BE ALIGNED WITH OPENING EDGE & FOLDED TO LEFT SIDE OF BOX.
  - 2. LOGO: USE LATEST REVISION OF TYCO COMPANY LOGO.
  - 3. LINE 1: SEE SHEET 1, USE TEXT FROM COLUMN PACKAGING LABEL DESCRIPTION LINE 1.
  - 4. PART NUMBER: FOR 1--0 & 2--0 USE TYCO PART NUMBER.  
1--0 = 1-1838232-0  
2--0 = 2-1838232-0
  - 5. LINE 2: SEE SHEET 1, USE TEXT FROM COLUMN PACKAGING LABEL DESCRIPTION LINE 2.
  - 6. LINE 3: SEE SHEET 1, USE TEXT FROM COLUMN PACKAGING LABEL DESCRIPTION LINE 3.
  - 7. QTY: SEE SHEET 1, USE NUMBER FROM THE COLUMN QTY.
  - 8. EAN BARCODE: USE LATEST TYCO BARCODE SUPPLIED.  
1--0 = TYCO BARCODE  
2--0 = TYCO BARCODE
  - 9. UL: WHERE APPLICABLE USE UL LOGO, SEE SHEET 1.
  - 10. PRODUCT PICTURE: A PRODUCT PICTURE IS REQUIRED.

- BOX NOTES:**
- 1. EURO SLOT: TO BE POSITIONED TO CENTRE ON FRONT COVER.
  - 2. BOX HINGE: FRONT COVER TO BE HINGED ON RIGHT SIDE.
  - 3. SPECIFICATION: COVER TO BE FREE FROM POSSIBLE WARPING & CAPABLE OF BEING RE-SEALED MIN 100 TIMES.
  - 4. LABEL: CORRECT CUSTOMER BOX LABEL TO BE POSITIONED ON THE FRONT COVER WITH THE PERFORATED EDGE ON THE LEFT HAND SIDE.

- PACK SPECIFICATION:**
- 1. CLEAR PLASTIC BOX: PART NUMBER 1--0 TO BE PACKED 100 PARTS PER CLEAR PLASTIC BOX (FIG2) WITH THE CORRECT CUSTOMER LABEL (FIG1), 35 CLEAR PLASTIC BOXES OF THE SAME PART NUMBER ARE TO BE PACKED INTO A SUITABLE INNER CARTON BOX.
  - 2. CLEAR PLASTIC BAG: PART NUMBER 2--0, USE A SUITABLE CLEAR PLASTIC BAG FOR A 1000 PARTS, POSITION AN APPROPRIATE LABEL AS IN FIG1 BUT WITHOUT THE PERFORATED SIDE, CENTRE OF BAG. 3 BAGS ARE THEN TO BE PACKED INTO A SUITABLE INNER CARTON BOX.
  - 3. INNER CARTON LABEL: LABEL AS PER CLEAR PLASTIC BAG NOTE 2 BUT WITH INNER CARTON QTY 3000 TO BE POSITIONED ON THE SIDE OF THE BOX FOR VIEWING WHEN STORED.

THIS DRAWING IS A CONTROLLED DOCUMENT.		DWN K.RaghuNandan 24AUG05	<b>tyco</b> Tyco Electronics Corporation	
DIMENSIONS: mm		CHK S. Parlow 03/04/07	Bideford, UK, EX39 4HE	
TOLERANCES UNLESS OTHERWISE SPECIFIED:		APVD F. Wheeler-King 03/04/07	NAME	
0 PLC ± 0.5		PRODUCT SPEC	EURO-CRIMP INSULATED BLUE MALE BULLET TERMINAL	
1 PLC ± 0.2		APPLICATION SPEC	1.5mmsq - 2.5mmsq / 16-14 AWG RANGE	
2 PLC ± 0.1			SIZE	CAGE CODE
3 PLC ± 0.015			A2	00779
4 PLC ± -			SCALE	DRAWING NO
ANGLES ± -		WEIGHT	NTS	C=1838232
FINISH		CUSTOMER DRAWING	SHEET	REV
			2	2
				A

1838232