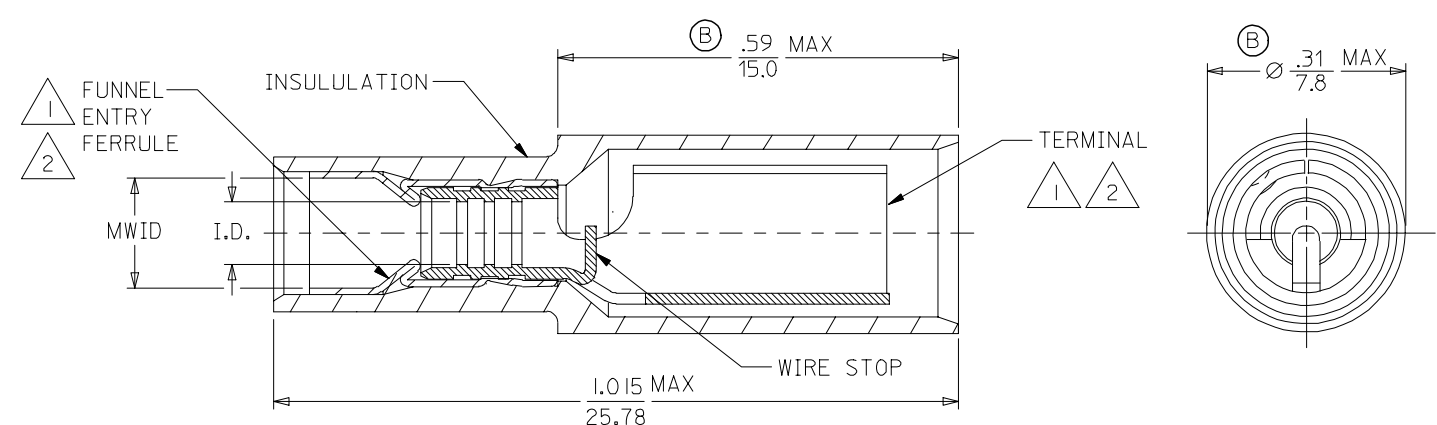
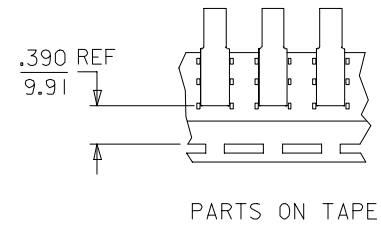


MATERIAL NUMBER	ENGINEERING NUMBER	TAPE MATERIAL NUMBER	TAPE ENGINEERING NUMBER	WIRE RANGE AWG MM ²	INSULATION HOUSING MATERIAL	INSULATION COLOR	FITS MALE PLUG DIA.	I.D. MIN.	MWID MAX
190390001	BRA-8156	190390026	BRA-8156T	22-18 0.25-1.3	PVC	RED	.156/(3.96)	.069/(1.75)	.128/(3.25)
190390002	BRA-8156N	190390015	BRA-8156NT	22-18 0.25-1.3	NYLON	LIGHT RED	.156/(3.96)	.069/(1.75)	.128/(3.25)
190390003	BRA-8156NDK	---	---	22-18 0.25-1.3	NYLON	DARK RED	.156/(3.96)	.069/(1.75)	.128/(3.25)
190390004	BRA-8180	190390029	BRA-8180T	22-18 0.25-1.3	PVC	RED	.180/(4.57)	.069/(1.75)	.128/(3.25)
190390005	BRA-8180N	190390017	BRA-8180NT	22-18 0.25-1.3	NYLON	RED	.180/(4.57)	.069/(1.75)	.128/(3.25)
190390006	BRB-8156	190390023	BRB-8156T	16-14 1.0-2.6	PVC	BLUE	.156/(3.96)	.091/(2.31)	.150/(3.81)
190390007	BRB-8156N	190390016	BRB-8156NT	16-14 1.0-2.6	NYLON	LIGHT BLUE	.156/(3.96)	.091/(2.31)	.150/(3.81)
190390008	BRB-8156NDK	---	---	16-14 1.0-2.6	NYLON	DARK BLUE	.156/(3.96)	.091/(2.31)	.150/(3.81)
190390009	BRB-8180	190390030	BRB-8180T	16-14 1.0-2.6	PVC	BLUE	.180/(4.57)	.091/(2.31)	.150/(3.81)
190390010	BRB-8180N	190390018	BRB-8180NT	16-14 1.0-2.6	NYLON	BLUE	.180/(4.57)	.091/(2.31)	.150/(3.81)



- NOTES:
- 1. MATERIAL: BRASS
 - 2. FINISH: ELECTRO-TIN PLATING
 - 3. INSULATION MATERIAL: SEE CHART
 - 4. MWID - MAXIMUM WIRE INSULATION DIAMETER

SALES DRAWING

REVISED DIMENSION EC NO: ETC2005-0122 DRAWN BY: BENDERLE 2005/02/15 CHKDR: DEROSS 2005/02/15 APPR: DEROSS 2005/02/15	QUALITY SYMBOLS ▽=0 ▽=0	GENERAL TOLERANCES (UNLESS SPECIFIED)		DIMENSION STYLE IN/MM		SCALE NONE	DESIGN UNITS INCH	THIRD ANGLE PROJECTION	
		4 PLACES	± ---	± ---	DRAWN BY BRE	DATE 2002/07/15	TITLE AVIKRIMP FEMALE BULLET RECEPTACLE		
		3 PLACES	± ---	± .005	CHECKED BY HEB	DATE 2002/07/15			
		2 PLACES	± 0.13	± .01	APPROVED BY RWD	DATE 2002/07/15	MATERIAL NO. SD-19039-001		
1 PLACE	± 0.25	± ---	ANGULAR ± ---°		MATERIAL NO. SD-19039-001			SHEET NO. 1 OF 1	
DRAFT WHERE APPLICABLE MUST REMAIN WITHIN DIMENSIONS				THIS DRAWING CONTAINS INFORMATION THAT IS PROPRIETARY TO MOLEX INCORPORATED AND SHOULD NOT BE USED WITHOUT WRITTEN PERMISSION					