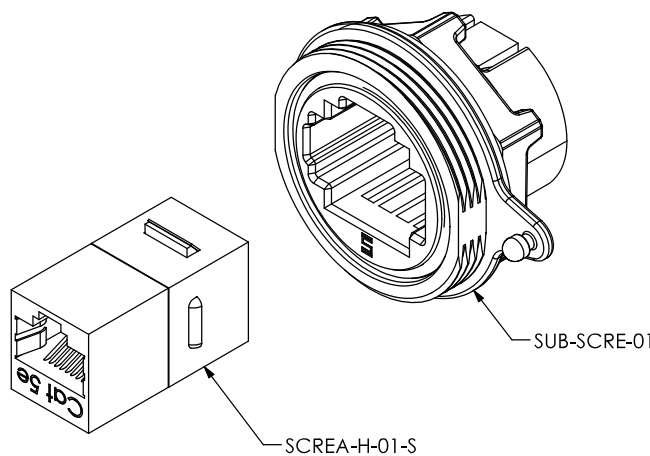
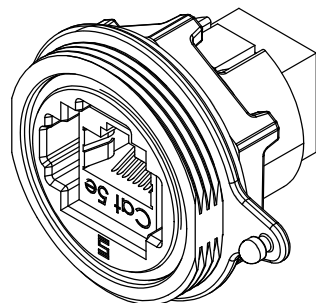
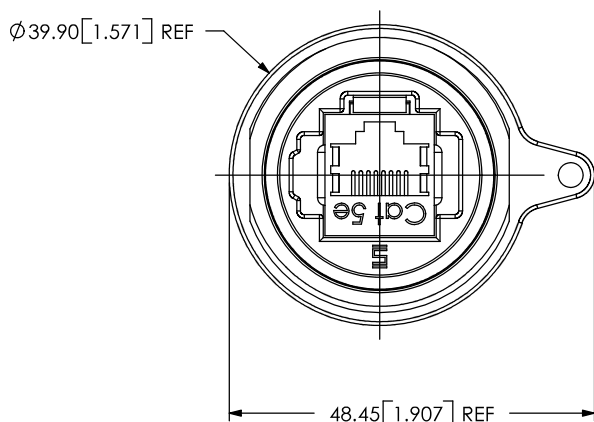
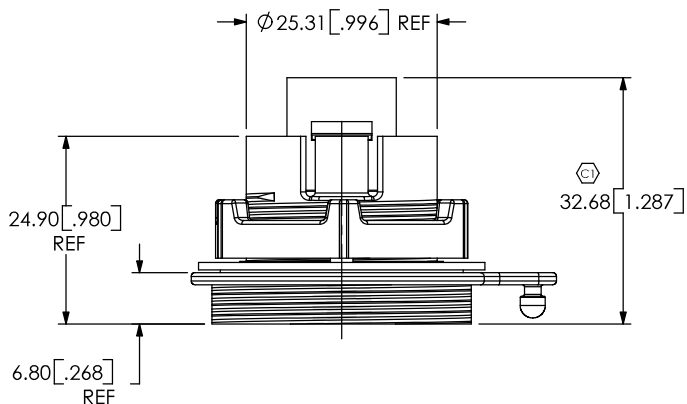
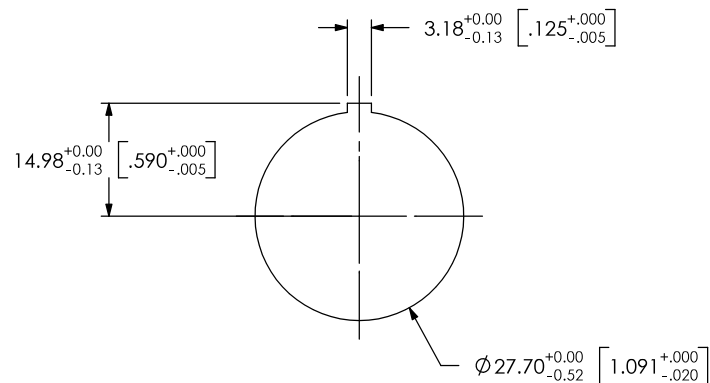


DO NOT  
SCALE FROM  
THIS PRINT



RECOMMENDED PANEL HOLE  
(SEE NOTE 3)



NOTES:

1. Ⓢ REPRESENTS A CRITICAL DIMENSION.
2. ASSEMBLY TO MEET UL 94V-0.
3. PANEL THICKNESS: 0.8[.03] - 5.2[.205].

UNLESS OTHERWISE SPECIFIED,  
DIMENSIONS ARE IN MILLIMETERS.  
TOLERANCES ARE:  
DECIMALS ANGLES  
.X: ±0.3 [.01] 2°  
.XX: ±0.13 [.005]  
.XXX: ±0.051 [.0020]

PROPRIETARY NOTE  
THIS DOCUMENT CONTAINS INFORMATION  
CONFIDENTIAL AND PROPRIETARY TO  
SAMTEC, INC. AND SHALL NOT BE REPRODUCED  
OR TRANSFERRED TO OTHER DOCUMENTS OR  
DISCLOSED TO OTHERS OR USED FOR ANY  
PURPOSE OTHER THAN THAT WHICH IT WAS  
OBTAINED WITHOUT THE EXPRESSED WRITTEN  
CONSENT OF SAMTEC, INC.

**SAMTEC**

520 PARK EAST BLVD, NEW ALBANY, IN 47150  
PHONE: 812.944.6733 FAX: 812.948.5047  
e-Mail: INFO@SAMTEC.COM CODE: 55322

MATERIAL: DO NOT SCALE DRAWING  
OR-17-01: SILICONE  
PBM-17-02: PA66  
SPG-17-01: SILICONE  
SPN-17-01: PA66  
SCREA-H-01-S INSULATOR: PBT  
SCREA-H-01-S CONTACTS: PHOS BRONZE  
SCREA-H-01-S SHIELDS: COPPER ALLOY  
F:\DWG\MISC\MKTG\SCRE-01-MKT.SLDDRW



SHEET SCALE: 1:1  
DESCRIPTION:  
ETHERNET PANEL MOUNT ASSEMBLY  
DWG. NO. SCRE-01  
BY: CHAD F 12/13/2004 SHEET 1 OF 1