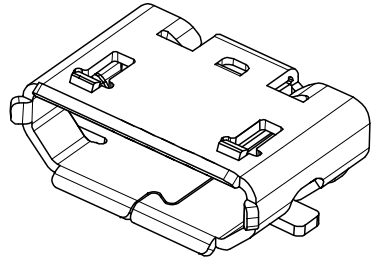
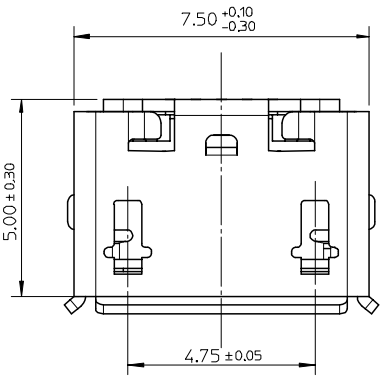
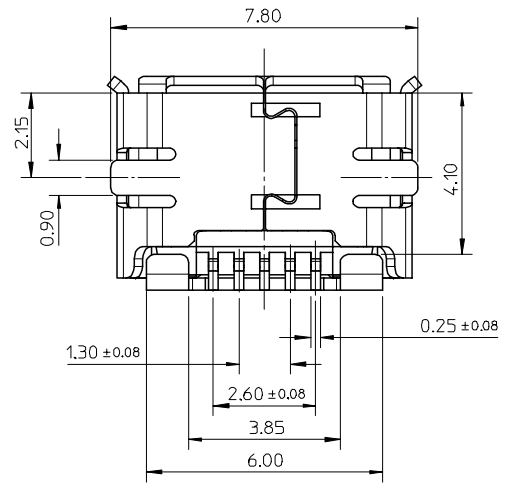
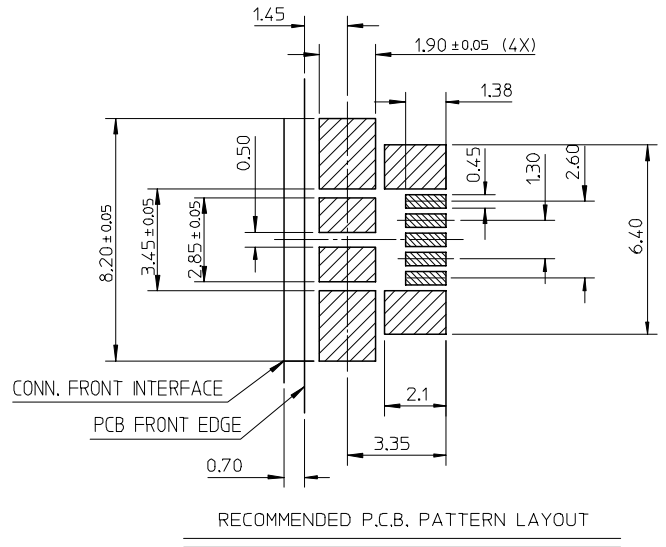
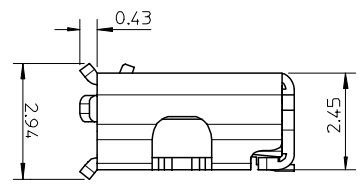
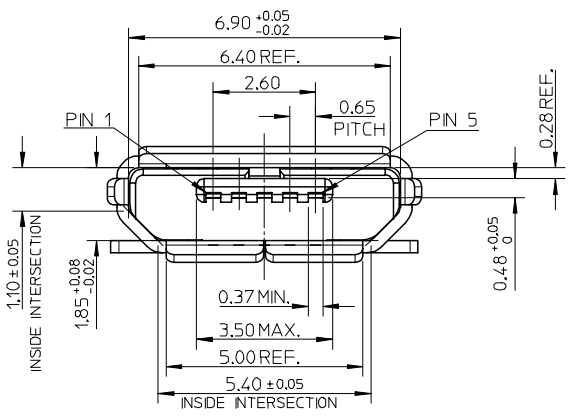


10 9 8 7 6 5 4 3 2 1



NOTE :

- MATERIAL :  
HOUSING : LCP, BLACK, UL94V-0  
TERMINAL : COPPER ALLOY THICKNESS = 0.15 MM  
SHIELD CASE : STAINLESS STEEL THICKNESS = 0.30 MM
- PLATING :  
TERMINAL:  
CONTACT AREA : GOLD FLASH OVER MINIMUM 0.75 MICRON Pd/Ni.  
SOLDER TAIL AREA : GOLD FLASH.  
UNDER PLATING : NICKEL 2.0 MICRON MINIMUM.  
SHIELD :  
MATTE TIN 3.8 MICRON MINIMUM.  
UNDER PLATING : NICKEL 1.27 MICRON MINIMUM.
- TAIL & NAIL COPLANARITY 0.08 mm MAXIMUM.
- COMPLIANT TO RoHS DIRECTIVE 2002/95/EC AND ELV DIRECTIVE 2000/53/EC.



NEW RELEASE EC NO: SH2007-0765 DRWN: XJSONG 2007/04/24 CHKD: JTIAN 2007/04/24 APPR: JNCHEN 2007/04/27	QUALITY SYMBOLS ▽=0 △=0	GENERAL TOLERANCES (UNLESS SPECIFIED)		DIMENSION STYLE	SCALE	DESIGN UNITS	THIRD ANGLE PROJECTION	
				MM ONLY	8:1	METRIC		
				DRAWN BY	DATE	TITLE		
				CHECKED BY	DATE	MICRO USB B REC. BOTTOM MOUNT ASS'Y		
A	REV	4 PLACES ± --- ± ---		XJSONG	2006/12/11	MOLEX INCORPORATED		
		3 PLACES ± --- ± ---		IWANG	2006/12/11	SHEET NO. 1 OF 1		
		2 PLACES ± 0.25 ± ---		JNCHEN	2006/12/11	MATERIAL NO. 47346-0001		
		1 PLACE ± 0.25 ± ---		APPROVED BY DATE		DOCUMENT NO. SD-47346-001		
ANGULAR ± 3 °		DRAFT WHERE APPLICABLE MUST REMAIN WITHIN DIMENSIONS		THIS DRAWING CONTAINS INFORMATION THAT IS PROPRIETARY TO MOLEX INCORPORATED AND SHOULD NOT BE USED WITHOUT WRITTEN PERMISSION				

9 8 7 6 5 4 3 2 1