

4

3

2

1

THIS DRAWING IS UNPUBLISHED.

RELEASED FOR PUBLICATION

© COPYRIGHT BY TYCO ELECTRONICS CORPORATION. ALL RIGHTS RESERVED.

LOC G DIST 14

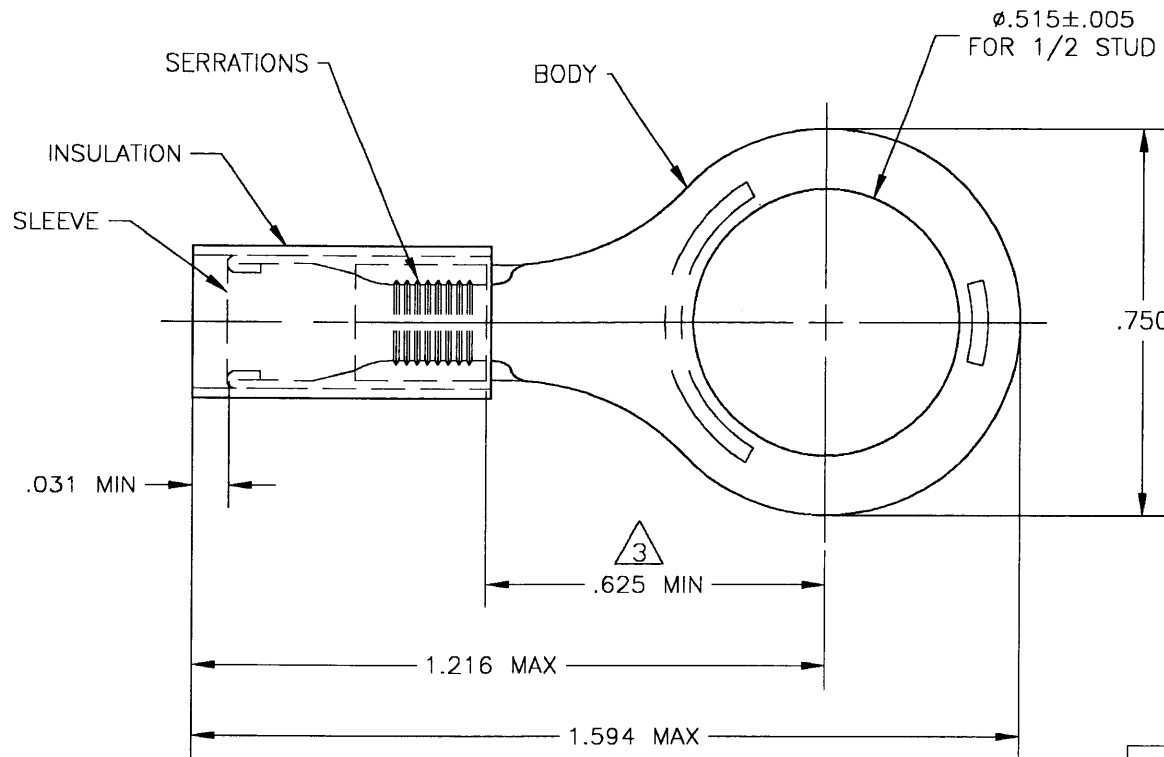
REVISIONS

P	LTR	DESCRIPTION	DATE	DWN	APVD
D		REDRAWN PER OG3A-0680-04	27AUG04	JR	TM

1 FOR .150 TO .230 WIRE INSULATION DIA.

2 TONGUE MATERIAL THK IS .040±.002

3 DIMENSION BETWEEN EDGE OF METAL WIRE BBL AND CENTER OF STUD HOLE.



1	BODY & SLEEVE: COPPER B-152 TIN PLATE PER ASTM B545 INSULATION: NYLON (MIL-M-20693) TYPE I COLOR: YELLOW	323784
QTY	MATERIAL & FINISH	PART NO

DIMENSIONS:		TOLERANCES UNLESS OTHERWISE SPECIFIED:		APVD		NAME	
INCHES		0 PLC	± -	jr ruth		Tyco Electronics Corporation	
		1 PLC	± -	T MICHIELUTTI		Harrisburg, PA 17105	
		2 PLC	± -	T MICHIELUTTI		WIRE TERMINAL	
		3 PLC	± .008	T MICHIELUTTI		P.I.D.G., RING TONGUE,	
		4 PLC	± -	T MICHIELUTTI		WIRE SIZE: 12-10	
MATERIAL		FINISH		PRODUCT SPEC		RESTRICTED TO	
-		-		APPLICATION SPEC		-	
-		-		WEIGHT		-	
-		-		SIZE		A3	
-		-		CAGE CODE		00779	
-		-		DRAWING NO		C=323784	
-		-		CUSTOMER DRAWING		SCALE 4:1	
-		-		SHEET		1 OF 1	
-		-		REV		D	