



# BURST FIRING TRIGGER MODULES

**BFTM-1**  
**BFTM-3**  
X10642

## INTRODUCTION

The BFTM-1 and BFTM-3 single and three phase burst firing trigger modules designed to drive our full range of thyristors and triacs. The BFTM-1 is a single phase or 2-wire format capability where as the BFTM-3 has a one-phase supply controlling three phase loads in star or delta configurations.

The control input signal is internally isolated and will accept either a DC signal or potentiometer. Proportional output control is indicated by a flashing LED. The module is designed for mounting on either standard or top hat profile or G profile DIN rail. External connections are via screw terminals, which together with the fuses are accessible from the front.

## APPLICATIONS

Virtually all resistance heaters including ovens, electric furnaces, moulders, dryers, smelters, heating tapes, stress relieving, space heating and heating mantles. This is unsuitable for use on inductive loads.

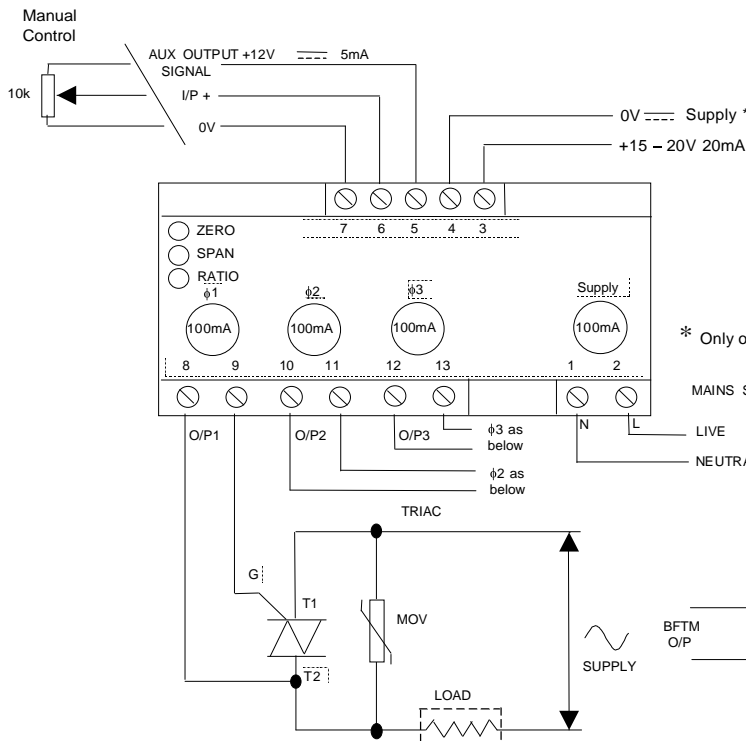
## MAIN FEATURES

- 1 sec. cycle time Zero voltage switching
- Burst fire control
- Opto isolated outputs
- LED output control indicators
- DIN rail mounting (both types)
- Input control signal accepts DC signal, or potentiometer



## INSTALLATION

### Connections



### WARNING

1. This unit requires fusing and must be mounted onto a suitable panel (heatsink) for cooling.
2. All HAZARDOUS LIVE terminals - isolate supply before commencing any installation work.

\* Only one source of supply must be used.

MAINS SUPPLY \*

LIVE 220/240V  
50/60Hz  
NEUTRAL 1.2VA

