



## Features

- 6mm Round / Single-Turn / Cermet Industrial / Open Frame
- Cross slot adjustment options
- Horizontal and vertical mounting styles
- Dust resistant/splash resistant covers
- PC board stand-offs and retention feature

- Front and top adjust styles

# 3306 - 6mm Round Trimming Potentiometer

### Electrical Characteristics

Standard Resistance Range .....100 to 1 megohm  
(see standard resistance table)  
Resistance Tolerance .....±25% std.  
Absolute Minimum Resistance .....2% max. ( $\leq 2K = 30$  ohms)  
Contact Resistance Variation ...3% max.  
Resolution.....Infinite  
Adjustment Angle .....215° nom.

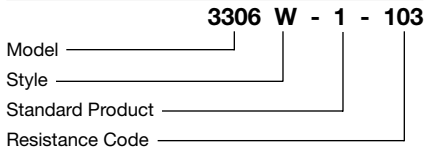
### Environmental Characteristics

Power Rating (100 volts max.)  
70°C .....0.2 watt  
Temperature Range .....-25°C to +100°C  
Temperature Coefficient .....±250ppm/°C  
Load Life ..1,000 hours 0.2 watt @ 70°C  
(5% ΔTR)

### Physical Characteristics

Mechanical Angle.....260° ±20°  
Torque (Operating).....4.5 oz-in. max.  
Stop Strength .....6.5 oz -in. min.  
Terminals .....Solderable pins  
Marking .....Manufacturer's trademark, resistance code  
Standard Packaging .....300 pcs. per bag  
Adjustment Tool .....H-90  
Aqueous cleaning not recommended

### How To Order



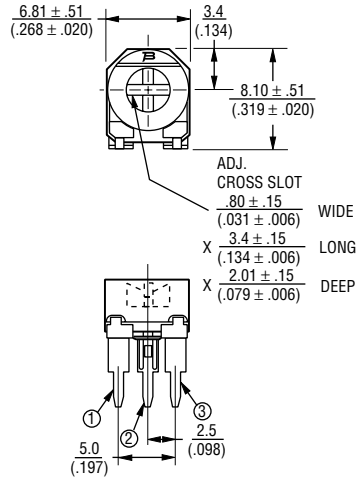
### Standard Resistance Table

Resistance (Ohms)	Resistance Code
<b>100</b>	<b>101</b>
<b>200</b>	<b>201</b>
<b>500</b>	<b>501</b>
<b>1,000</b>	<b>102</b>
<b>2,000</b>	<b>202</b>
<b>5,000</b>	<b>502</b>
<b>10,000</b>	<b>103</b>
<b>20,000</b>	<b>203</b>
<b>25,000</b>	<b>253</b>
<b>50,000</b>	<b>503</b>
<b>100,000</b>	<b>104</b>
200,000	204
250,000	254
500,000	504
1,000,000	105

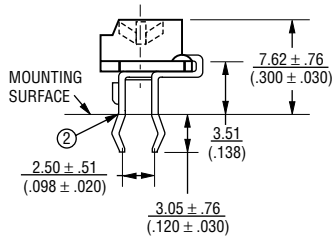
Popular values listed in boldface. Special resistances available.

SHADED AREA NOT TYPICALLY STOCKED BY DISTRIBUTORS AND NOT RECOMMENDED FOR NEW DESIGNS.

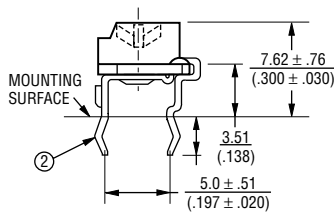
### Top Adjust Common Dimensions



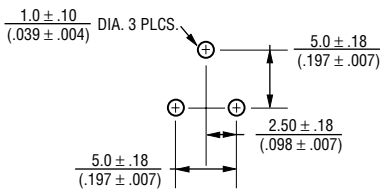
### 3306P



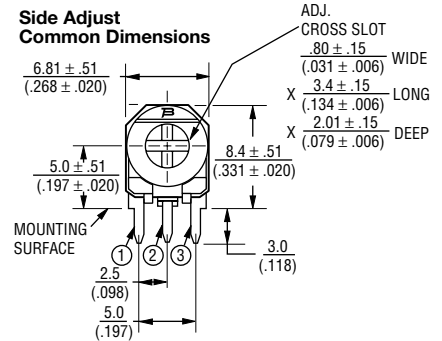
### 3306F



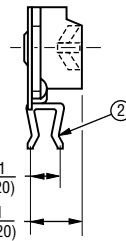
### SUGGESTED PWB LAYOUT - STYLE F



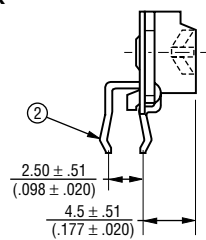
### Side Adjust Common Dimensions



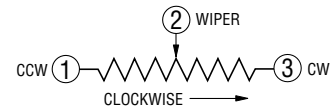
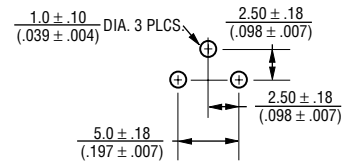
### 3306W



### 3306K



### SUGGESTED PWB LAYOUT - STYLES K, P, W



TOLERANCES: ± 0.25 (.010) EXCEPT WHERE NOTED

DIMENSIONS ARE: METRIC (INCHES)