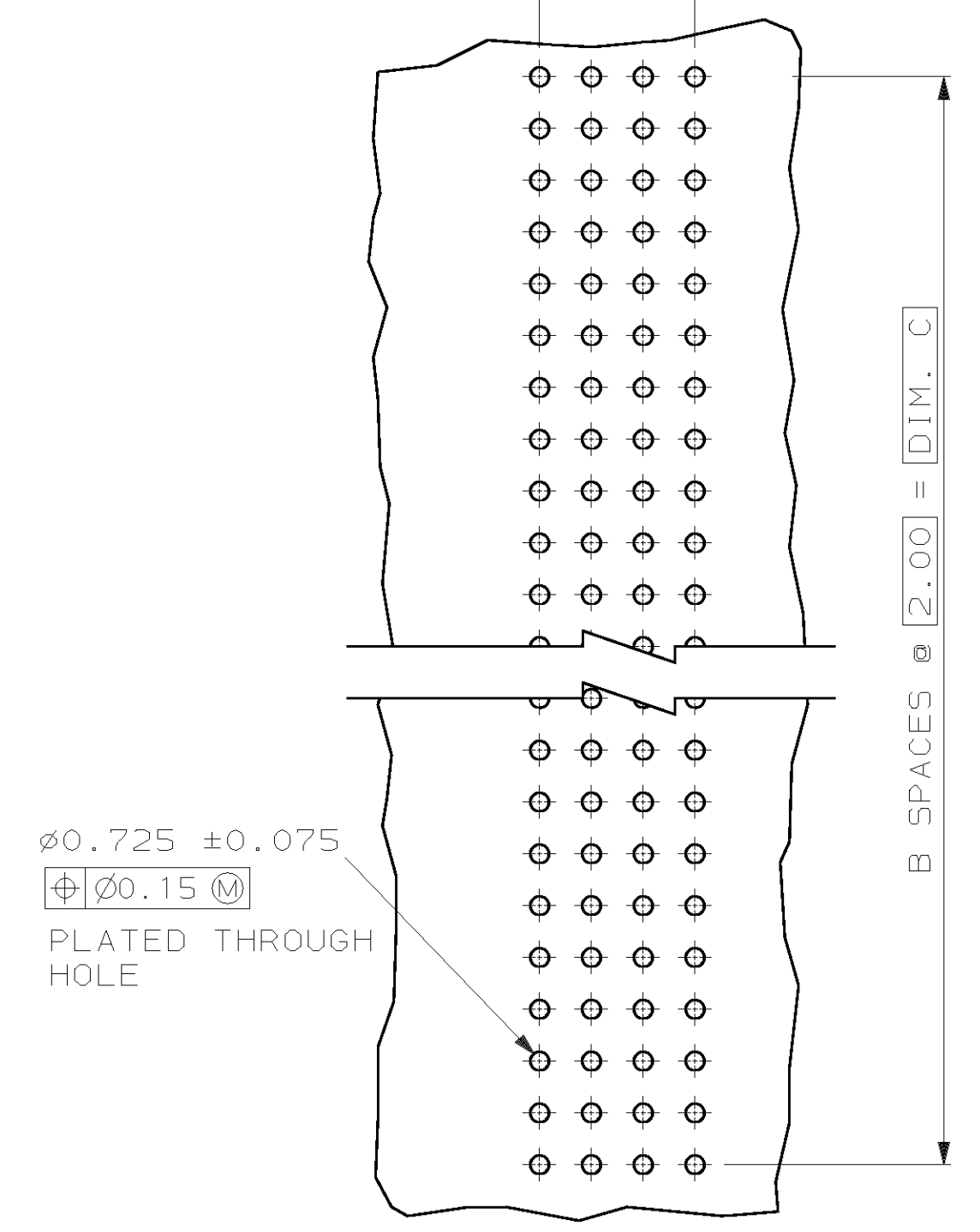
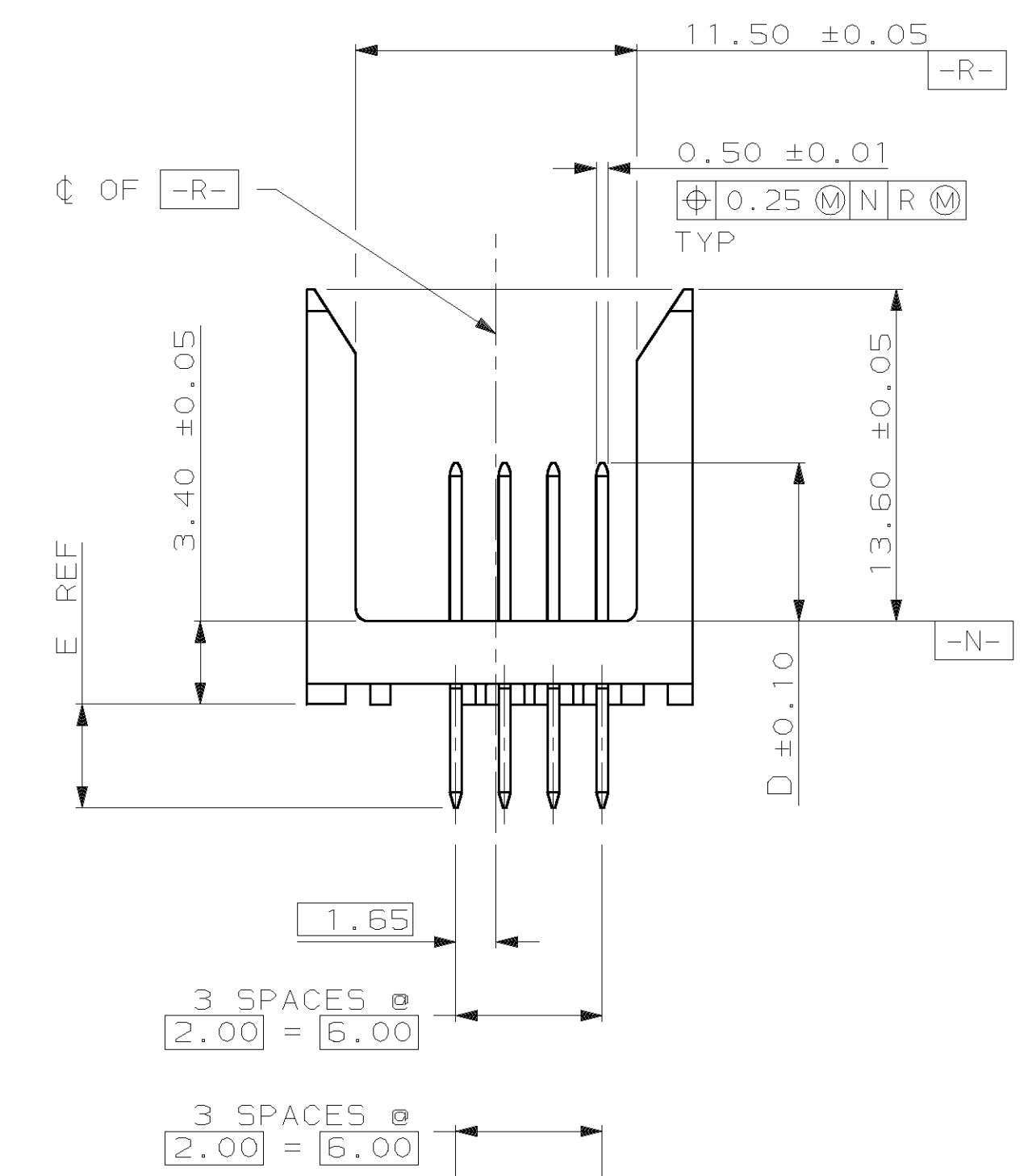
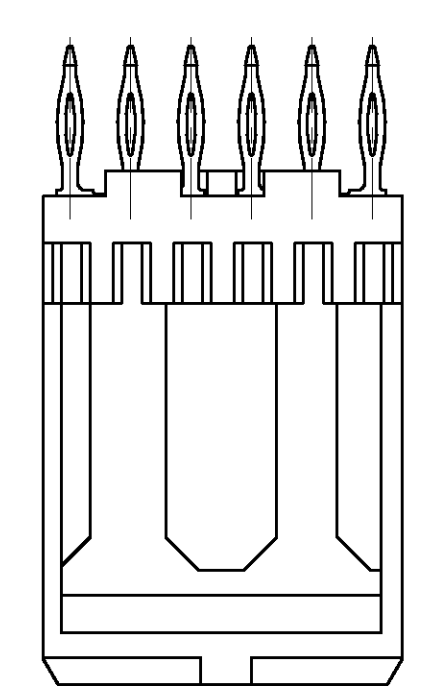
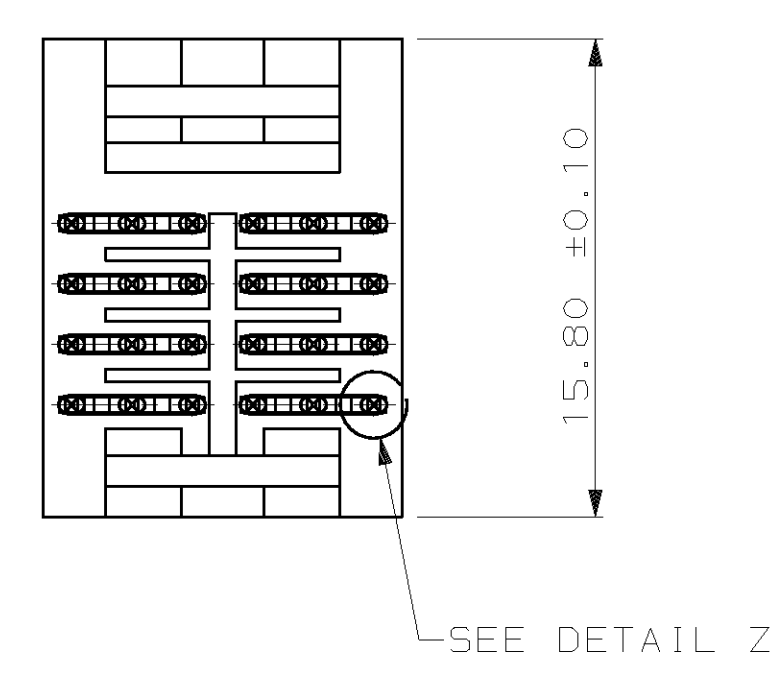
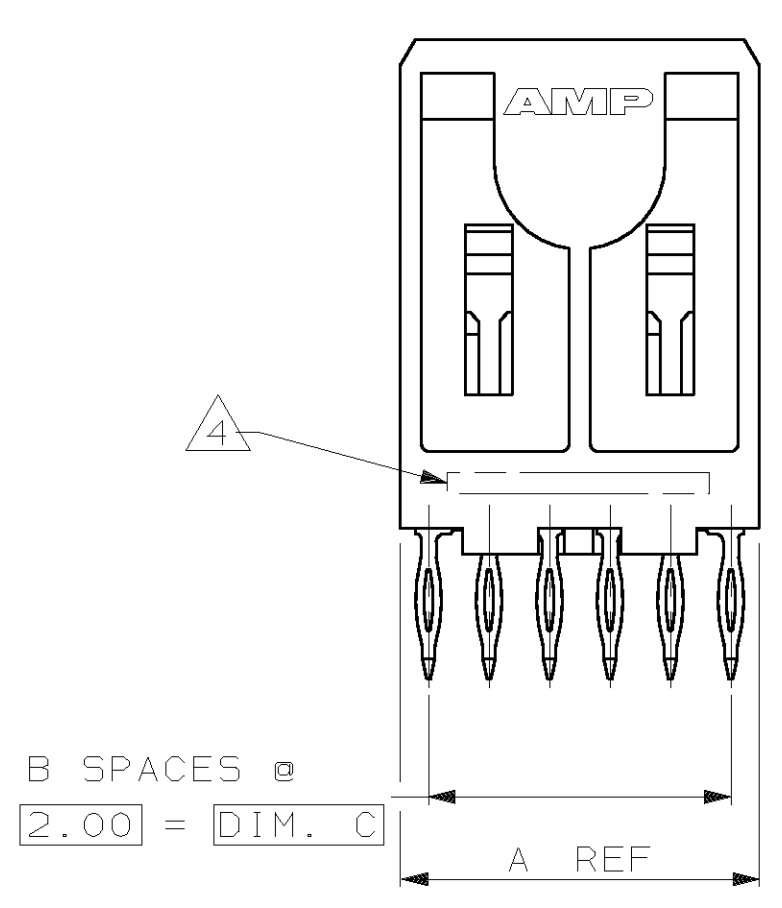
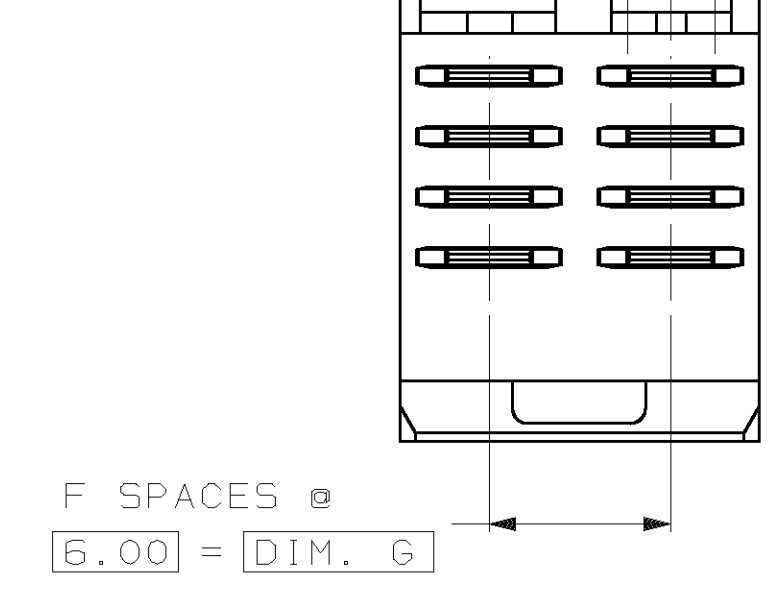
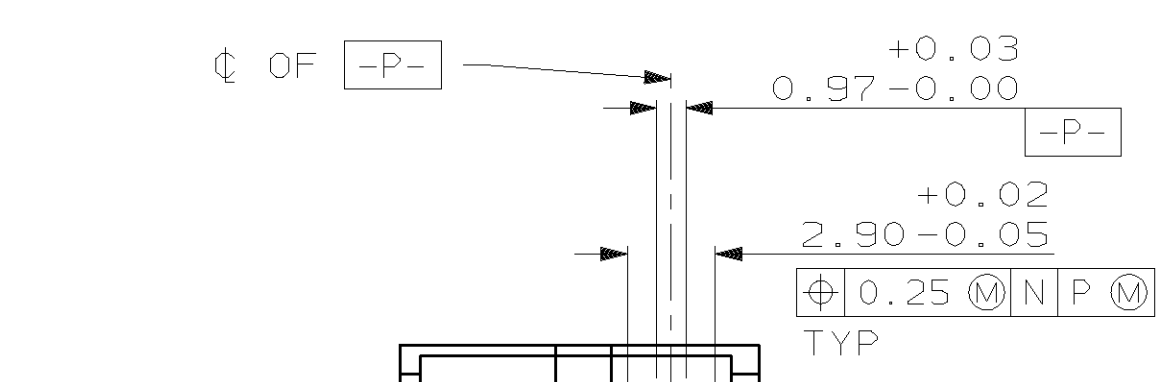


LOC		DIST		P		F		ZONE		LTR		REVISIONS		DATE	APPD	
AD	47												L	REVISED PER 0512-0387-02	16DEC02	JUN



RECOMMENDED CIRCUIT PATTERN
 PER IPC-D300 TYPE II, CLASS C
 (COMPONENT SIDE)

- 1 HOUSING MATERIAL: LIQUID CRYSTAL POLYMER PER ASTM D5138 LCP000 G30A 32250.
- 2 CONTACT MATERIAL: PHOSPHOR BRONZE PER UNS ALLOY NO. C51100, TEMPER: H04.
- 3 CONTACT FINISH:
 ON MATING SURFACES-
 FLASH GOLD PER AMP INCORPORATED SPECIFICATION, OVER
 0.0008 MIN. PALLADIUM-NICKEL PER AMP INCORPORATED SPECIFICATION, OVER
 0.0013 MIN. NICKEL
 ON LEADS-
 0.0013 MIN. TIN-LEAD, OVER
 0.0013 MIN. NICKEL
 SURFACE CONDITIONER PER AMP SPECIFICATION 112-1002(ENTIRE CONTACT AFTER PLATING).
- 4 PART MARKING PER AMP INCORPORATED SPECIFICATION 115-9009,
 LOCATED APPROXIMATELY AS SHOWN.
- 5 CONTACT FINISH:
 UNDERPLATE (ENTIRE CONTACT):
 0.0013 MIN NICKEL.
 ON MATING SURFACES:
 SURFACE CONDITIONER OVER, 0.0008 NICKEL OR COBALT
 HARDENED GOLD PER AMP SPECIFICATION, OVER UNDERPLATE.
 ON LEADS:
 SURFACE CONDITIONER OVER, 0.0006 MIN TIN-LEAD,
 OVER UNDERPLATE.

ROW	D	AA	AA
	C	AA	AA
	B	AA	AA
	A	AA	AA
		1	2
		POSITION	

P/N 536603-1

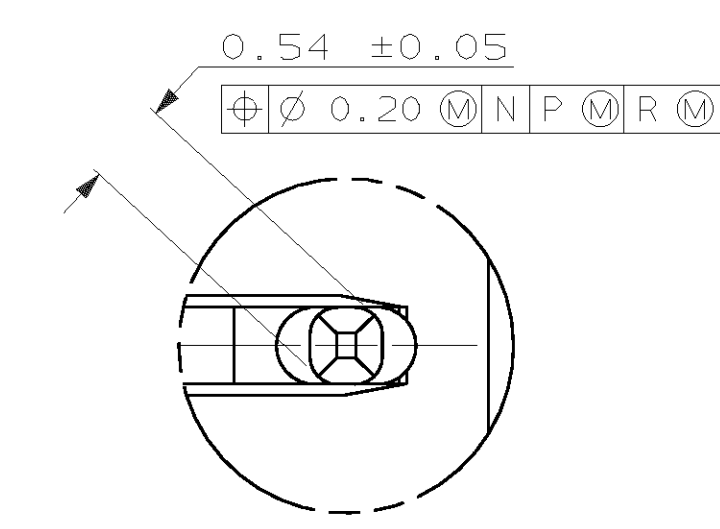
ROW	D	AA	AA
	C	AB	AB
	B	AC	AC
	A	AC	AC
		1	2
		POSITION	

P/N 536603-2

ROW	D	AB	AB
	C	AC	AC
	B	AC	AC
	A	AC	AC
		1	2
		POSITION	

P/N 536603-6

CODE LETTER	MATING POST LENGTH D	LEAD LENGTH (REF)
AA	6.5	4.25
AB	7.25	4.25
AC	8	4.25



DETAIL Z
 SCALE 20:1

6.00	1	4.25	10.00	5	11.83	5	8	536603-6
6.00	1	4.25	10.00	5	11.83	5	8	536603-2
6.00	1	4.25	10.00	5	11.83	5	8	536603-1
G	F	E	C	B	A	FINISH	NO OF POSN	PART NUMBER

DO NOT SCALE PRINT. UNLESS SPECIFIED DIMENSIONS IN MILLIMETERS TOLERANCES ON: 2 PLC DEC ± 0.13 3 PLC DEC ± - ANGLES ± -		DR 10/19/92 J. LOCONDRO CHK 02/18/93 D. BAECHTLE APPD 02/18/93 S. HEADER APPD 02/18/93 G. PREPUTNICK	Tyco Electronics Harrisburg, PA 17105-3608	
MATERIAL 1 2		NAME PIN ASSEMBLY, POWER MODULE, 2mm CENTERLINE, 4 ROW, PRESS FIT CONTACTS, Z-PACK 2mm FB		
FINISH 3 5		APPLICATION SPEC	SIZE D	CAGE CODE 00779
THIS DRAWING IS A CONTROLLED DOCUMENT FOR AMP INCORPORATED. IT IS SUBJECT TO CHANGE AND THE CONTROLLING ENGINEERING ORGANIZATION SHOULD BE CONTACTED FOR THE LATEST REVISION.		WEIGHT	SCALE 4:1	DRAWING NO C-536603
				SHEET 1 OF 1

