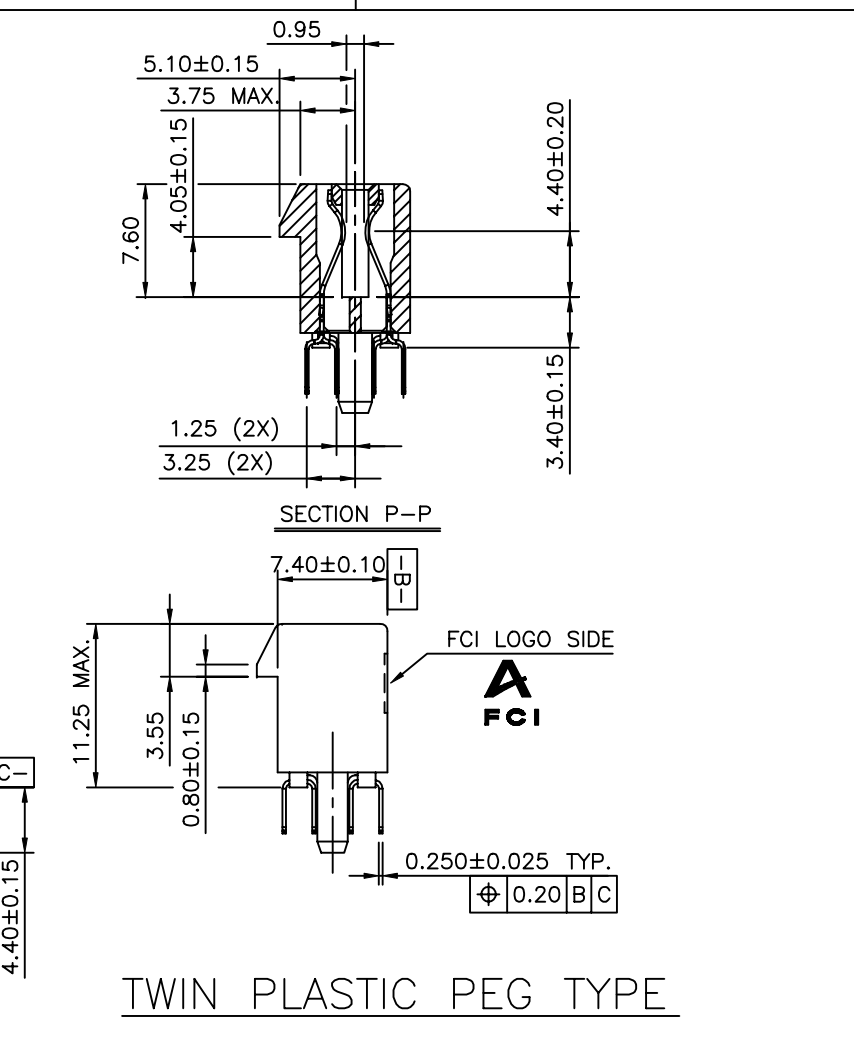
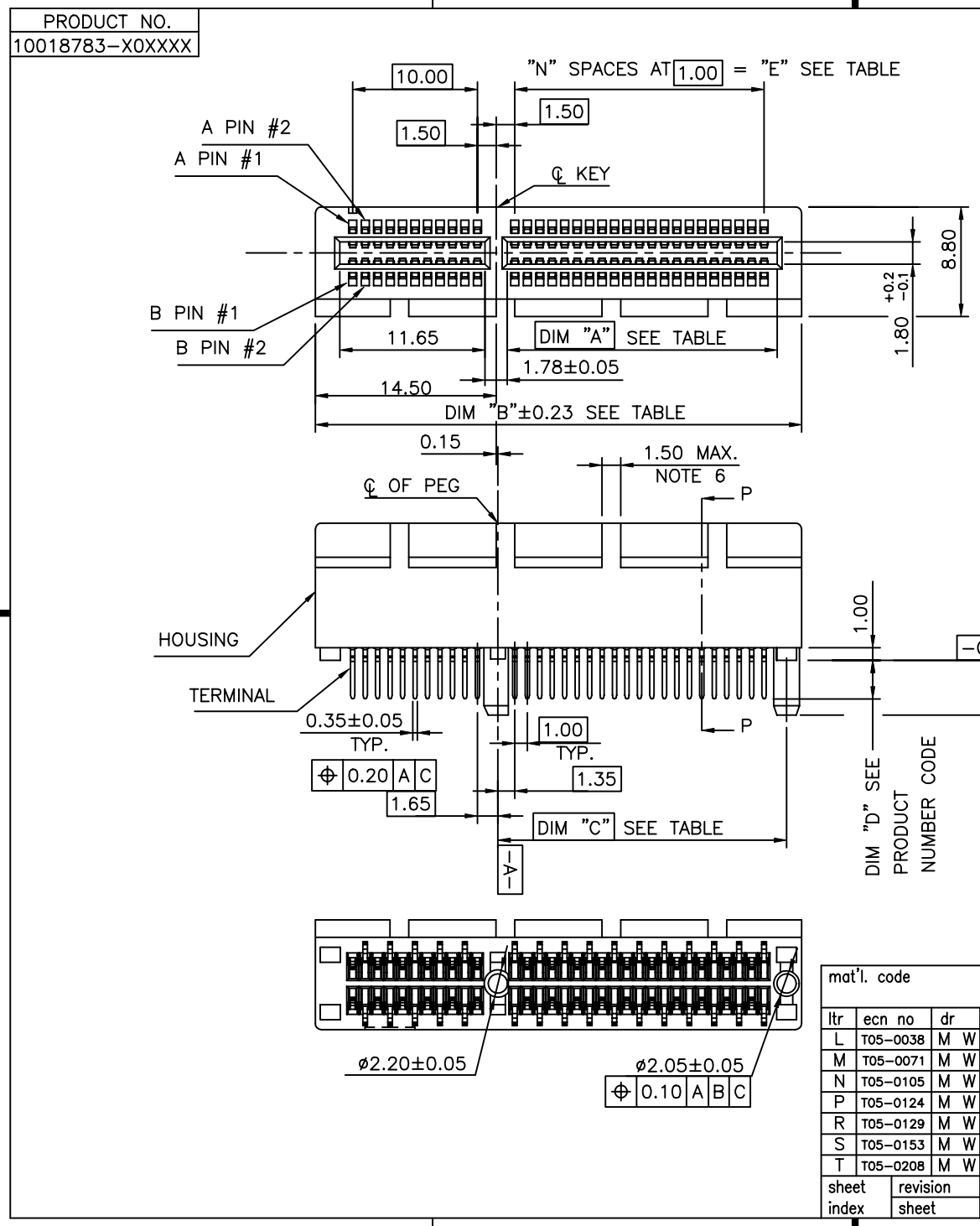


Tous droits strictement réservés. Reproduction ou communication a des tiers interdite sous quelque forme que ce soit sans autorisation écrite du propriétaire. Propriété de c FCI. Droits de reproduction FCI.

All rights strictly reserved. Reproduction or issue to third parties in any form whatever is not permitted without written authority from the proprietor. Property of FCI. Copyright FCI.

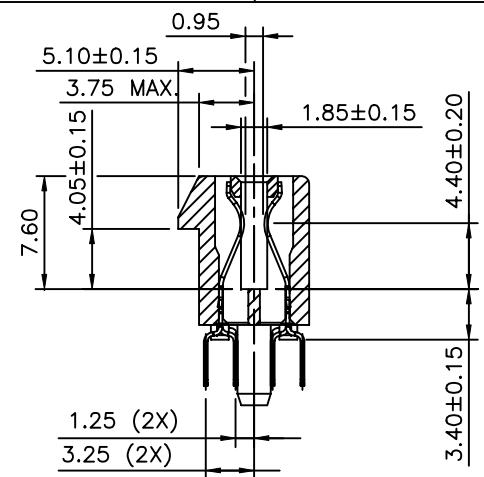
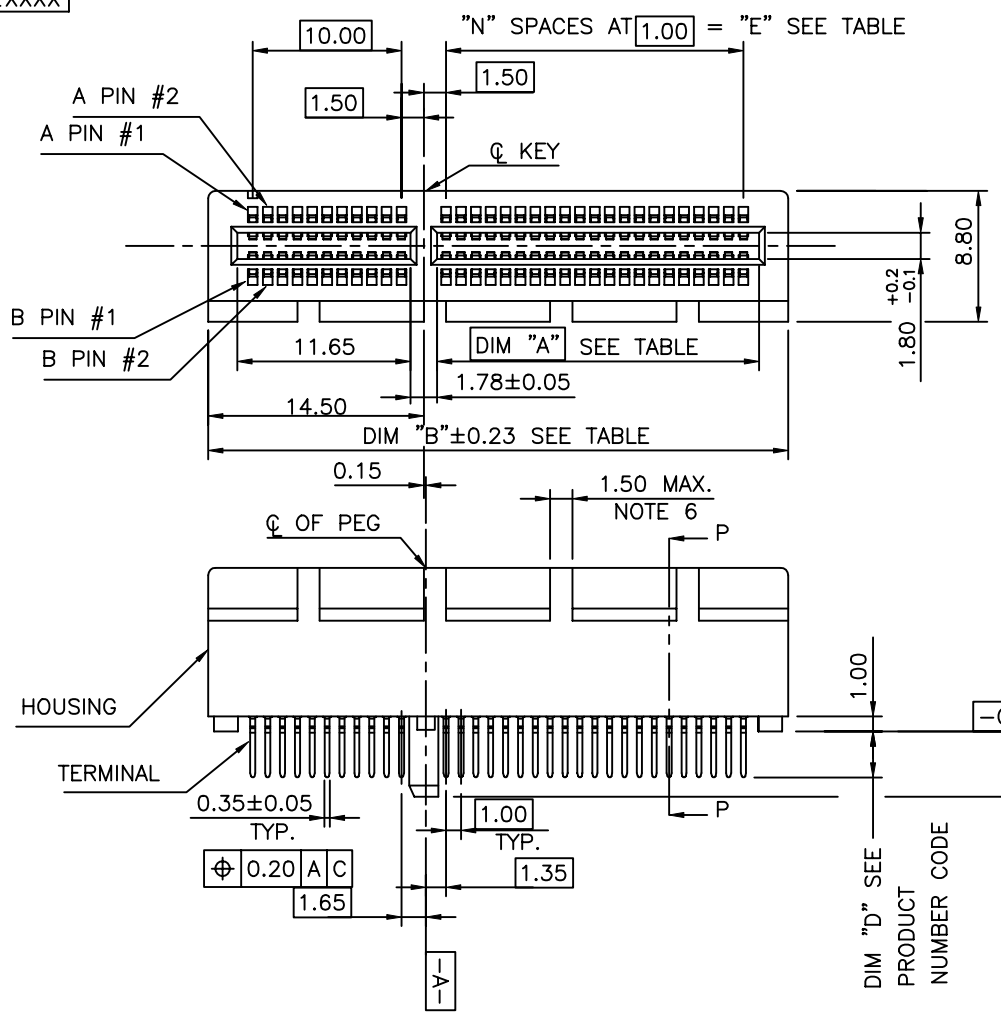


mat'l. code				tolerances unless otherwise specified				CUSTOMER COPY		 www.fciconnect.com	
ltr	ecn no	dr	date	linear	.X ± 0.30		projection	title		PCI EXPRESS CARD EDGE ASSY	
M	T05-0038	M	02/24/05		.XX ± 0.20						
M	T05-0071	M	04/06/05	angles	.XXX ± 0.10		 MM	product family		EDGE CARD	
M	T05-0105	M	05/11/05		0° ± 2°						
P	T05-0124	M	06/07/05	dr	MAGGIE WU	07/30/02	scale	A4		10018783	
R	T05-0129	M	06/13/05	engr	R Y LIU	07/30/02					
S	T05-0153	M	07/12/05	chr	R Y LIU	07/30/02	2:1	A4		10018783	
T	T05-0208	M	09/15/05	appd	JENN TSAO	07/30/02					
sheet index	revision sheet	T	R	T	R	R	T	R	cage code		4
1	2	1	2	3	4	5	6	7	22526		4

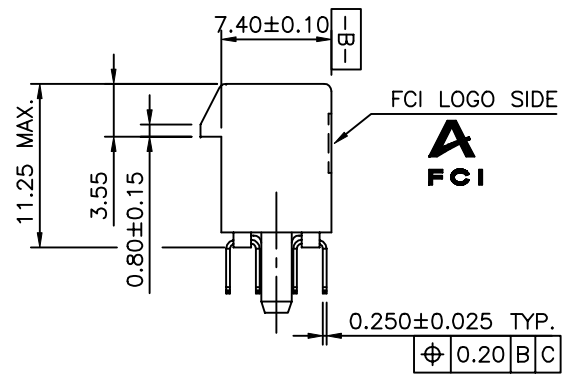
Tous droits strictement réservés. Reproduction ou communication a des tiers interdite sous quelque forme que ce soit sans autorisation écrite du propriétaire. Propriété de c FCI. Droits de reproduction FCI.

All rights strictly reserved. Reproduction or issue to third parties in any form whatever is not permitted without written authority from the proprietor. Property of FCI. Copyright FCI.

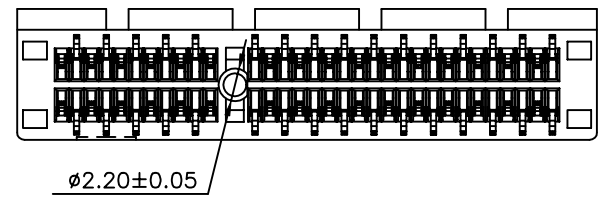
PRODUCT NO.
10018783-X2XXXX



SECTION P-P



SINGLE PLASTIC PEG TYPE

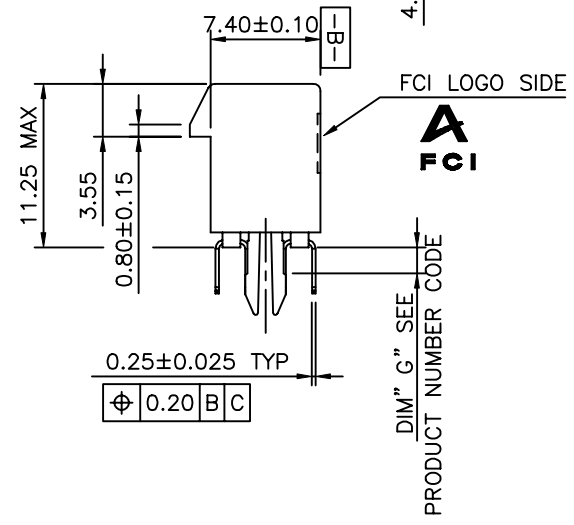
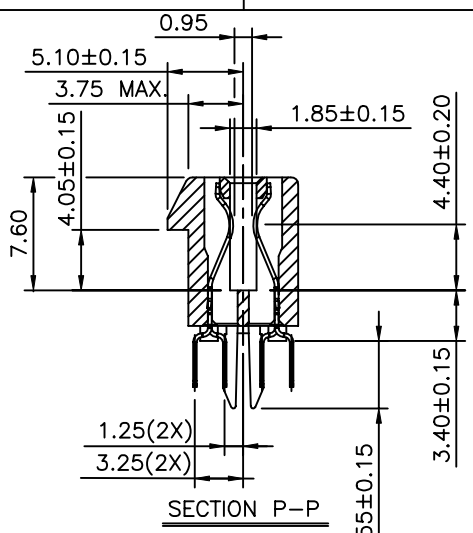
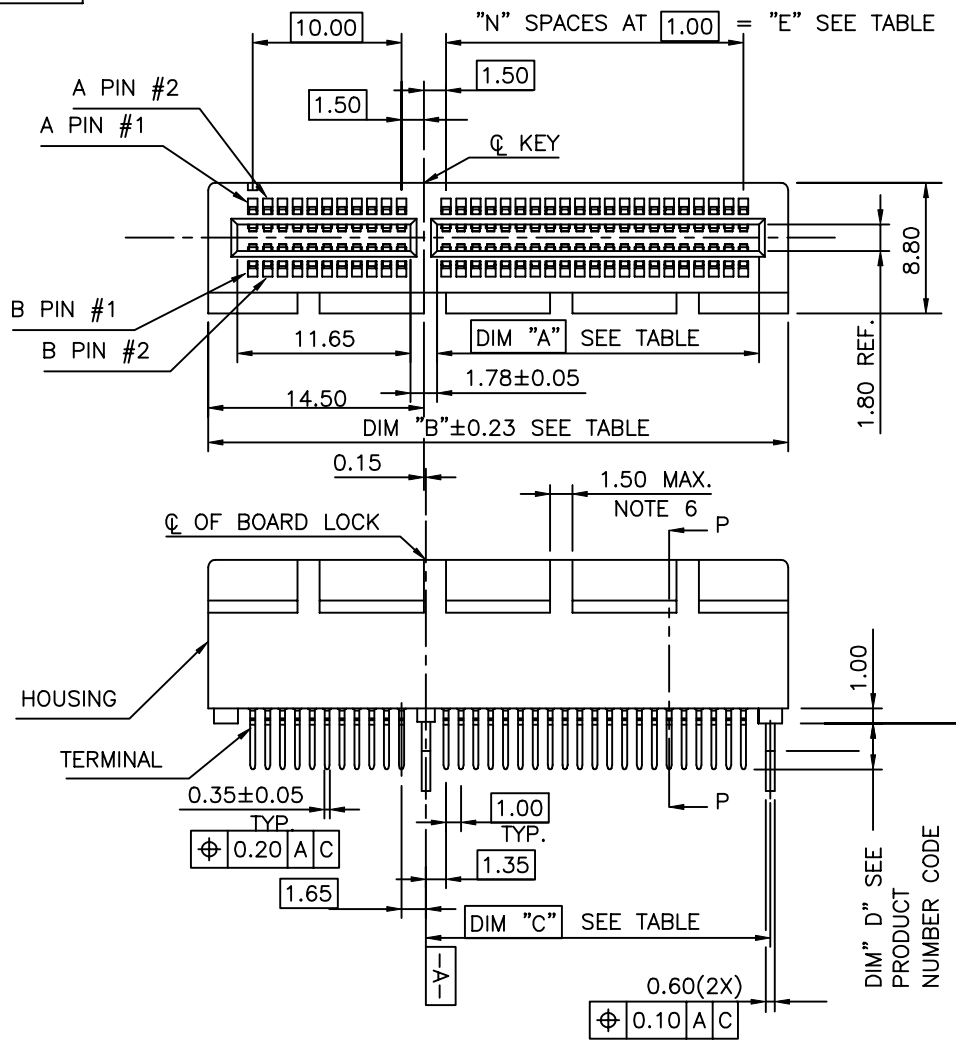


mat'l. code				tolerances unless otherwise specified				CUSTOMER COPY		 www.fciconnect.com	
ltr	ecn no	dr	date	linear	.X ± 0.30		projection	title		PCI EXPRESS CARD EDGE ASSY	
R					.XX ± 0.20			 MM	product family		EDGE CARD
				angles	.XXX ± 0.10		scale		size		dwg no
				dr	0° ±2°			2:1	A4		10018783
				engr	MAGGIE WU 07/30/02		code		TWN		
				chr	R Y LIU 07/30/02		sheet		2 of		
				appd	JENN TSAO 07/30/02		cage code		22526		
sheet index	revision sheet										

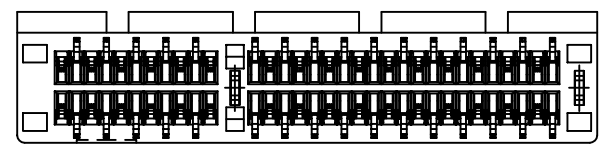
Tous droits strictement réservés. Reproduction ou communication a des tiers interdite sous quelque forme que ce soit sans autorisation écrite du propriétaire. Propriété de c FCI. Droits de reproduction FCI.

All rights strictly reserved. Reproduction or issue to third parties in any form whatever is not permitted without written authority from the proprietor. Property of FCI. Copyright FCI.

PRODUCT NO.
10018783-X1XXXX



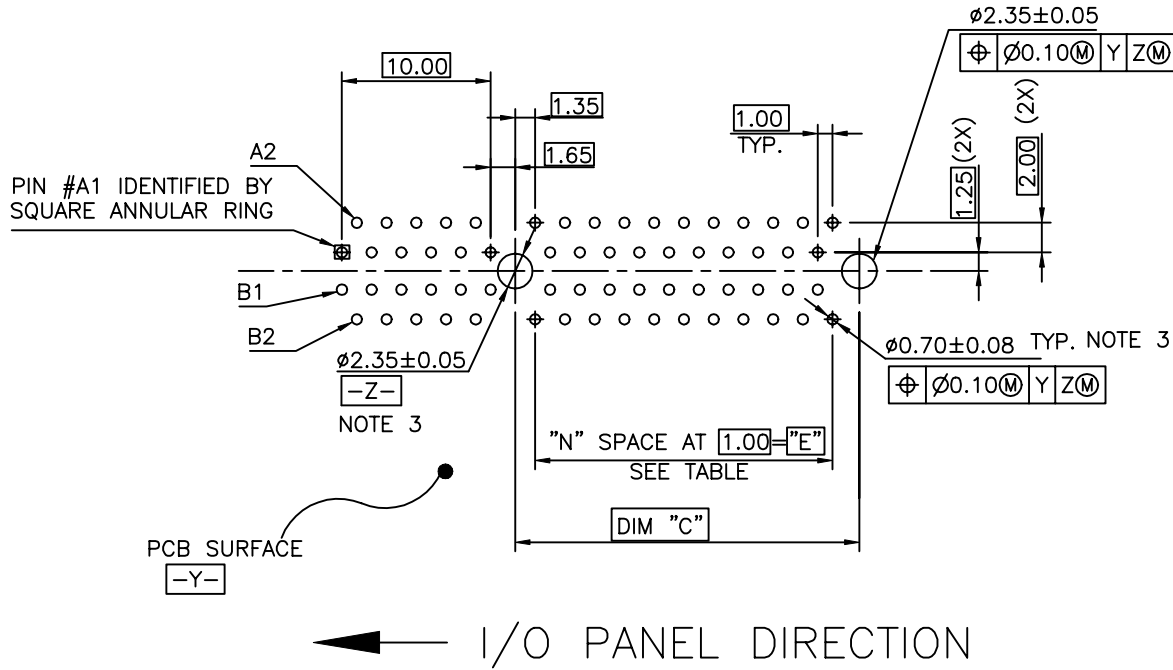
METAL BOARD LOCKS TYPE




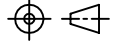
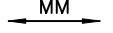
mat'l. code				tolerances unless otherwise specified		CUSTOMER COPY		 www.fciconnect.com	
ltr	ecn no	dr	date	linear	.X ± 0.30	projection	title		
T					.XX ± 0.20		PCI EXPRESS CARD EDGE ASSY		
				angles	.XXX ± 0.10	 MM	product family	EDGE CARD	code
				dr	0° ± 2°		size	dwg no	TWN
				engr	MAGGIE WU 07/30/02	scale	10018783		sheet
				chr	R Y LIU 07/30/02		2:1	3 of	
				appd	JENN TSAO 07/30/02				
sheet index	revision sheet						cage code	22526	

Tous droits strictement reserves. Reproduction ou communication a des tiers interdite sous quelque forme que ce soit sans autorisation ecrite du proprietaire. Propriete de c FCI. Droits de reproduction FCI.

All rights strictly reserved. Reproduction or issue to third parties in any form whatever is not permitted without written authority from the proprietor. Property of FCI. Copyright FCI.



RECOMMENDED FOOTPRINT

mat'l. code				tolerances unless otherwise specified		CUSTOMER COPY		 www.fciconnect.com		
ltr	ecn no	dr	date	linear	.X ±	projection	title			
R					.XX ±			PCI EXPRESS CARD EDGE ASS'Y		
				angles	.XXX ±			product family		
				dr	0° ±2°		MM	EDGE CARD		
				engr	MAGGIE WU 07/30/02	scale	size		code	
				chr	R Y LIU 07/30/02		2:1	dwg no		TWN
				appd	JENN TSAO 07/30/02			A4	10018783	
sheet index	revision sheet								4 of	

Tous droits strictement reserves. Reproduction ou communication a des tiers interdite sous quelque forme que ce soit sans autorisation ecrite du proprietaire. Propriete de c FCI. Droits de reproduction FCI.

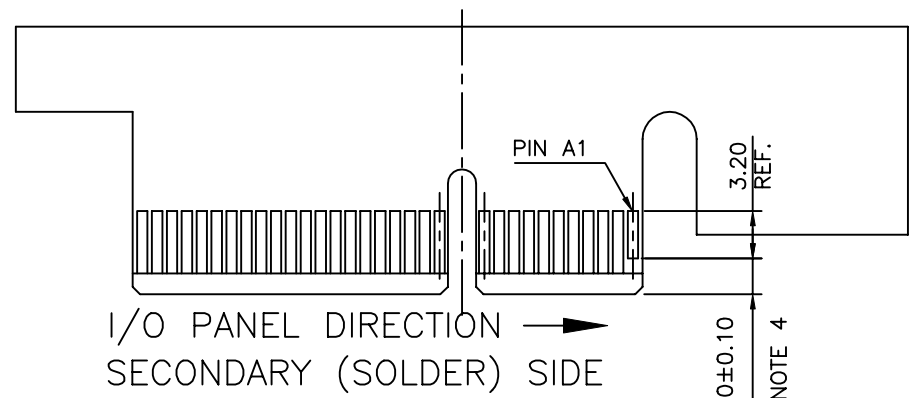
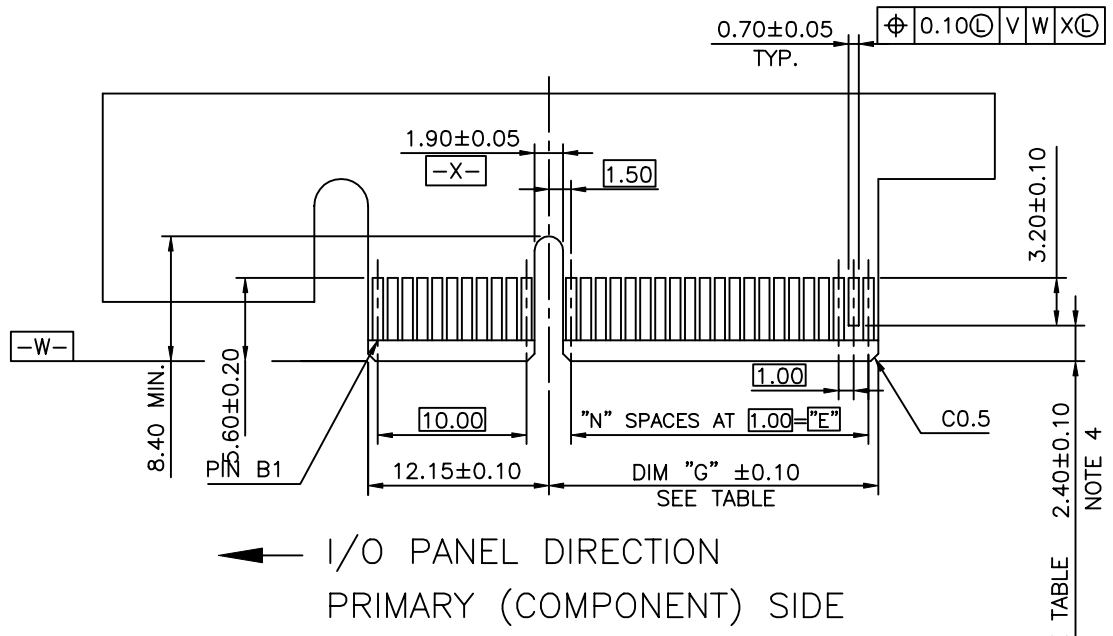
All rights strictly reserved. Reproduction or issue to third parties in any form whatever is not permitted without written authority from the proprietor. Property of FCI. Copyright FCI.

FCI

1 | 2

3 |

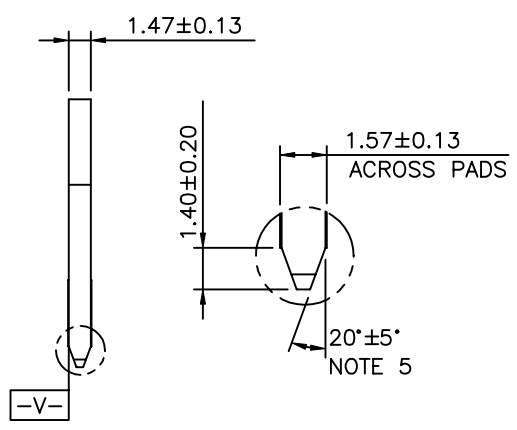
4



PIN "F" SEE TABLE

PIN "F" SEE TABLE

#	POS REF.	N	DIM "G"	"F"
36		6	8.15	B17
64		20	22.15	B31
98		37	39.15	B48
164		70	72.15	B81



ADD-IN CARD EDGE-FINGER DIMENSIONS

mat'l. code				tolerances unless otherwise specified		CUSTOMER COPY		 www.fciconnect.com	
ltr	ecn no	dr	date	linear	.X ±	projection	title		
R					.XX ±		PCI EXPRESS CARD EDGE ASS'Y		
				angles	.XXX ±	 MM	product family		
				dr	0° ±2°		EDGE CARD		
				engr	MAGGIE WU 07/30/02	scale	size		
				chr	R Y LIU 07/30/02		dwg no		
				appd	JENN TSAO 07/30/02	2:1	A4		
sheet index	revision sheet								

1 | 2

3 |

4

ACAD

PDM: Rev:T

STATUS: Released 22526
Printed: Feb 07, 2006

NOTES:

1.MATERIAL:

HOUSING: HIGH TEMPERATURE NYLON, GLASS FILLED UL94V-0 RATED. SUITABLE FOR REFLOW SOLDERING.

TERMINAL: COPPER ALLOY

PLATING: 50u" NICKEL UNDERPLATE ALL OVER CONTACT AREA PLATING - SEE PRODUCT NUMBER CODE SOLDER TAIL: TIN OR TIN /LEAD(90/10)- SEE PRODUCT NUMBER CODE 100u" MIN. OVER 50u" NICKEL

METAL BOARD LOCKS: COPPER ALLOY FINISH: 100u" TIN OR TIN/LEAD(90/10) OVER 50u" NICKEL UNDERPLATE SEE PRODUCT NUMBER CODE

2.PRODUCT SPECIFICATION: GS-12-233

③THE HORIZONTAL AXIS FOR THE HOLE PATTERN IS ESTABLISHED BY A LINE THROUGH THE CENTER OF THE TWO Ø2.35 HOLES. THE VERTICAL AXIS IS 90° TO THE HORIZONTAL AXIS, THROUGH THE CENTER OF DATUM Z.

④NO TIE BAR PERMITTED FROM CARD EDGE TO LEADING EDGE OF PAD FOR PINS A1 AND PIN NUMBERS "F".

⑤CHAMFER EDGES MUST BE FREE OF CUTTING BURRS.

⑥FREQUENCY & LOCATION AT SUPPLIER DISCRETION. RIDGE MAY BE CONTINUOUS WITH NO BREAKS.

7.ROHS COMPATIBLE PRODUCT SPECIFICATIONS

a - PLATING:

- "LF" MEANS THE PRODUCT IS LEAD-FREE, 2um MINIMUM MATTE TIN OVER 1.27um MINIMUM NICKEL UNDERPLATE.

b - MANUFACTURING PROCESS COMPATIBILITY

- THE HOUSING WILL WITHSTAND EXPOSURE TO 260°C±5°C SOLDER BATH TEMPERATURE FOR 5 SECONDS IN A REFLOW SOLDER APPLICATION WITH A 1.6mm MIN THICK CIRCUIT BOARD.

PRODUCT NUMBER CODE

10018783 -x x x x x x □ □

HOUSING COLOR OPTIONS

- 0-NATURAL
1-BLACK

PEGS OPTIONS

- 0-PLASTIC PEGS
1-METAL BOARD LOCKS
2-SINGLE PLASTIC PEGS

TERMINAL PLATING OPTIONS

- 0-50u" Ni UNDERPLATE
30u" Au CONTACT AREA
100u" TIN TAIL AREA ----- COMPATIBLE RoHS
1-50u" Ni UNDERPLATE
15u" Au CONTACT AREA
100u" TIN TAIL AREA ----- COMPATIBLE RoHS
2-50u" Ni UNDERPLATE
GOLD FLASH CONTACT AREA
100u" TIN TAIL AREA ----- COMPATIBLE RoHS
3-50u" Ni UNDERPLATE
30u" Au CONTACT AREA
100u" TIN/LEAD TAIL AREA ----- INCOMPLIANT RoHS
4-50u" Ni UNDERPLATE
15u" Au CONTACT AREA
100u" TIN/LEAD TAIL AREA ----- INCOMPLIANT RoHS
5-50u" Ni UNDERPLATE
GOLD FLASH CONTACT AREA
100u" TIN/LEAD TAIL AREA ----- INCOMPLIANT RoHS

LEAD FREE OPTION

LEAVE BLANK FOR TERMINAL PLATING 3,4,5 "LF" FOR TERMINAL PLATING OPTION 0,1,2

POS OPTIONS

- 0-36
1-64
2-98
3-164

Table with 7 columns: CONNECTOR, # POS REF., N, DIM "A", DIM "B", DIM "C", "E". Rows include 1 PORT, 4 PORT, 8 PORT, 16 PORT.

PACKAGING OPTIONS

T-TRAY PACKAGING
M-TRAY PACKAGING & MYLAR TAPE FOR PICK-N-PLACE. SEE FIGURE 1

TAIL LENGTH OPTIONS

Table with 4 columns: DIM "D", PCB THICKNESS, BOARD LOCKS DIM "G". Rows 0, 1, 2.

Customer Copy table with columns: mat'l. code, tolerances unless otherwise specified, CUSTOMER COPY, title, product family, size, scale, sheet index, revision sheet.

Tous droits strictement reserves. Reproduction ou communication a des tiers interdite sous quelque forme que ce soit sans autorisation ecrite du propriétaire. Property of FCI. Copyright FCI.

Tous droits strictement reserves. Reproduction ou communication a des tiers interdite sous quelque forme que ce soit sans autorisation ecrite du proprietaire. Propriete de c FCI. Droits de reproduction FCI.

All rights strictly reserved. Reproduction or issue to third parties in any form whatever is not permitted without written authority from the proprietor. Property of FCI. Copyright FCI.

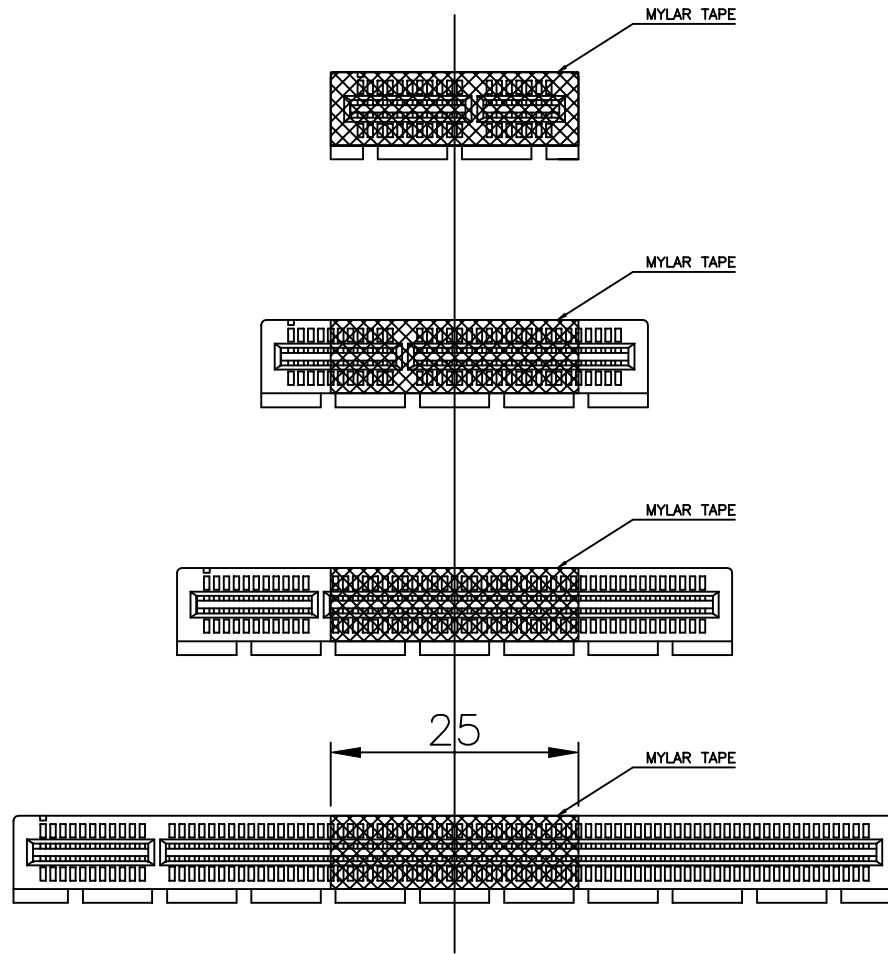

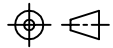
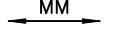


FIGURE 1

mat'l. code				tolerances unless otherwise specified			CUSTOMER COPY		 www.fciconnect.com		
ltr	ecn no	dr	date	linear	.X ± 0.25		projection	title PCI EXPRESS CARD EDGE ASS'Y			
R					.XX ± 0.13						
				angles	.XXX ± 0.05			product family EDGE CARD			
					0° ± 2°						
				dr	MAGGIE WU	06/07/05	 MM	size		code	
				enfr	R Y LIU	06/07/05		dwg no		TWN	
				chr	R Y LIU	06/07/05	scale	A4		sheet	
				appd	JENN TSAO	06/07/05		1.5:1		7 of	
sheet index		revision sheet									