

Digital Panel Meters

Modular signal conditioner

Type USC-DIN



- Linearization of V and A inputs up to 16 points

- Multi-input modular signal's conditioner
- 0.1% RDG basic accuracy
- TRMS AC current and voltage measurements
- AC/DC current measurements; selectable full scales (200µA to 5A)
- AC/DC voltage measurements; selectable full scales (200mV to 500V)
- °C or °F temperature measurements (Pt100-250-500-1000, Ni100, TC J-K-S-T-E)
- Resistance measurements; selectable full scales (20Ω to 20kΩ)
- Up to 4 independent alarm set-points (optional)
- 20mA/10VDC analog output (optional)
- Serial port RS485 or RS232 (optional)
- MODBUS, JBUS communication protocol
- Front protection degree: IP 20

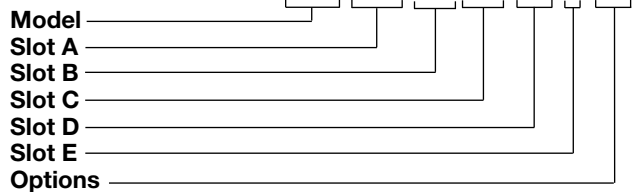
Product Description

µp-based signal's conditioner, for current, voltage, temperature and resistance measurements. Measuring ranges and functions easily programmable from the PC by means of optional UscSoft software available on

request. UscSoft includes programming, display and min-max functions. Conditioner's housing for DIN-RAIL mounting with front protection degree: IP 20. All displaying and programming data are referred to UscSoft.

How to order

USC XXX XX XX XX X XX



How to order

UscSoft-kit

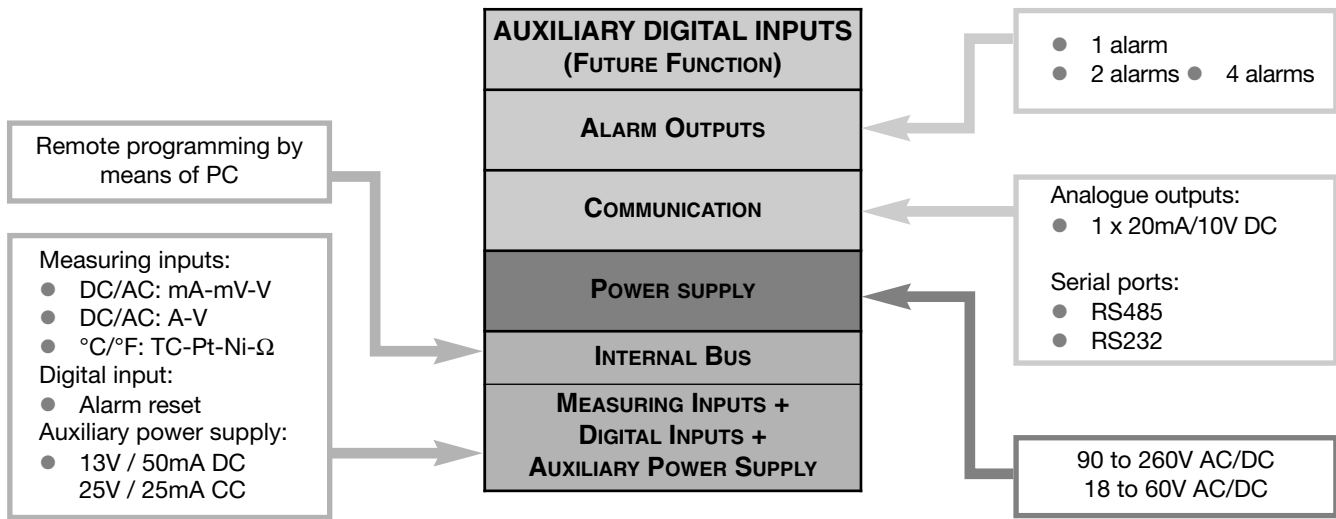
UscSoft-kit: software plus "UCOM1" communication cable for programming USC by means of PC.

Type Selection

Slot A (measuring inputs)	Slot B (communication)	Slot C (communication and alarm)	Slot D (communication)	Slot E (power supply)
LSX: single channel input: 0.2-2-20mA DC/AC, 0.2-2-20V DC/AC LSE/LSF: single + AUX input : 0.2-2-20mA DC/AC; 0.2-2-20V DC/AC HSX: single channel input: 0.2-2-5A DC/AC; 20-200-500V DC/AC TRX: signal input: TC temperature probes: J-K-S-T-E, Pt100-250-500-1000 and resistance 0.02-0.2-2-20kΩ	XX: None SX: Serial port RS485 SY: Serial port RS232 Options XX: None TX: Tropicalization	XX: None R1: Single relay output, (AC1-8AAC, 250VAC) R2: Dual relay output, (AC1-8AAC, 250VAC) R4: Dual relay output, (AC1-8AAC, 250VAC) + dual open collector output (NPN, 100mA) R5: 4 Relay outputs (AC1-5AAC, 250VAC) AV(*): Single analogue output: 0 to 20mA DC and 0 to 10V DC	XX: None AV(*): Single analogue output, 0 to 20mA DC and 0 to 10V DC (*): The two analogue outputs cannot be used at the same time. It is possible to plug in only one module by signal conditioner.	H: 90 to 260V AC/DC L: 18 to 60V AC/DC



USC architecture



Input Specifications

Analogue inputs BQ LSX module BQ LSE/LSF module BQ HSX module BQ TRX module BQ TRX module	Measuring module 1, mA and V DC/AC 1, mA and V DC/AC + AUX 1, A and V DC/AC 1, temperature 1, resistance	Measurements Coupling Crest factor Input impedance Frequency Overload Compensation RTD TC	and max min indications” Current, voltage, temperature and resistance. For the current and voltage measurements: TRMS measurement of distorted sine waves. Direct. ≤ 3 ; $A_{Pmax}=1,7I_n$; $V_{Pmax}=1,7U_n$ See table “input impedances and overloads” 40 to 440 Hz See table “input impedances and overloads” Only temperature measurement module. - For Pt 100-250-500-1000, 3-wire connection: up to 10Ω - For resistance measur. with 20Ω range: up to max 0.1Ω - For resistance measurements with $\geq 200\Omega$ range: up to max 10Ω Internal cold junction, within temperature range from 0 to +50°C. Automatic or manual compensation from 0 to 50°C.
Digital inputs (CMD) Number of inputs Use Contact reading signal	Incl. in the measuring module 1 (voltage-free) Reset of latch alarms BQ xxx: <0.1mA, <3.5V DC BQ LSE/LSF: <2.5mA, <14V DC Max 1kΩ Min 500kΩ Non-insulated		
Close contact resistance Open contact resistance Insulation	Max 1kΩ Min 500kΩ Non-insulated		
Accuracy (RS485)	See table “Measuring accuracy”, temperature drifts and minimum-maximum indications”		
Additional errors Humidity Input frequency Magnetic field	0.3% RDG, 60% to 90% R.H. 0.4% RDG, 62 to 440 Hz 0.5% RDG @ 400 A/m		
Temperature drift	See table “Measuring accuracy, temperature drifts and maximum minimum indications”		
Sampling rate BQ LSX module BQ LSE/LSF module BQ HSX module BQ TRX module	500 samples/s @ 50Hz 500 samples/s @ 50Hz 500 samples/s @ 50Hz 500 samples/s @ 50Hz		
Measurement updating	200 msec @ 50 Hz		
Resolution of measurements	10.000 points (4-dgt)		
Max. and min. indications	See table “Measurement accuracy, temperature drifts		

Measurement accuracy, temp. drifts, max and min indications

All accuracies and min/max indications are referred to an ambient temp. range of 25°C ±5°C, rel. humidity ≤60% and scale ratio (electrical/displayed scale) equal to 1. The conversion into °F is obtained acting on the electrical/displayed scale ratio.

Module	Inputs	Type	Accuracy	Temp. drift	Min. indication (■)	Max. indicat. (■)
BQ LSX/ BQ LSE/ BQ LSF	-200µA to +200µA -2mA to +2mA -20mA to +20mA -200mV to +200mV -2V to +2V -20V to +20V	DC/AC	DC: ±(0.1%RDG+3DGT) 0% to 25% FS; ±(0.1%RDG+2DGT) 25% to 110% FS. TRMS (45 to 65Hz)*: ±(0.3%RDG+3DGT) 0% to 25% FS; ±(0.3%RDG+2DGT) 25% to 110% FS.	±150 ppm/°C	- 200.0 - 2.000 - 20.00 - 200.0 - 2.000 - 20.00	+ 200.0 + 2.000 + 20.00 + 200.0 + 2.000 + 20.00
BQ HSX	-200mA to +200mA -2A to +2A -5A to +5A -20V to +20V -200V to +200V -500V to +500V	DC/AC	DC: ±(0.1%RDG+3DGT) 0% to 25% FS; ±(0.1%RDG+2DGT) 25% to 110% FS. TRMS (45 to 65Hz)*: ±(0.3%RDG+3DGT) 0% to 25% FS; ±(0.3%RDG+2DGT) 25% to 110% FS.	±150 ppm/°C	- 200.0 - 2.000 - 5.000 - 20.00 - 200.0 - 500.0	+ 200.0 + 2.000 + 5.000 + 20.00 + 200.0 + 500.0
BQ TRX Thermo- couple	-50°C to +760°C -58 °F to +1400 °F -200°C to +1260°C -328 °F to +2300°F -200°C to +1000°C -328°F to +1832°F -50°C to +1750°C -58°F to +3182°F -200°C to +400°C -328°F to +752°F	J J K K E E S S T T	±(0.2%RDG+1DGT) ±(0.2%RDG+2DGT) ±(0.2%RDG+2DGT) ±(0.2%RDG+4DGT) ±(0.2%RDG+2DGT) ±(0.2%RDG+4DGT) ±(0.2%RDG+2DGT) ±(0.2%RDG+4DGT) ±(0.2%RDG+2DGT) ±(0.2%RDG+4DGT)	±150 ppm/°C	- 50°C - 58°F - 200°C - 328°F - 200°C - 328°F - 50°C - 58°F - 200°C - 328°F	+ 760°C + 1400°F + 1260°C + 2300°F + 100°C + 1832°F + 1750°C + 3182°F + 400°C + 752°F
BQ TRX Thermo- resis- tance	-200°C to +850°C -328°F to +1562°F -200.0°C to +200.0°C -328°F to +392°F -200.0°C to +200.0°C -328°F to +392°F -200.0°C to +200.0°C -328°F to +392°F -200.0°C to +200.0°C -328°F to +392°F -60°C to +180°C -76°F to +356°F	Pt100 Pt100 Pt100 Pt100 Pt250 Pt250 Pt500 Pt500 Pt1000 Pt1000 Ni100 Ni100	±(0.2%RDG +2DGT) ±(0.2%RDG +4DGT) ±(0.5%RDG +5DGT) ±(0.5%RDG +5DGT) ±(0.5%RDG +5DGT) ±(0.5%RDG +5DGT) ±(0.5%RDG +5DGT) ±(0.5%RDG +5DGT) ±(0.5%RDG +5DGT) ±(0.5%RDG +5DGT) ±(0.5%RDG +1DGT) ±(0.5%RDG +2DGT)	±150 ppm/°C	- 200 - 328 - 200.0 - 328 - 200.0 - 328 - 200.0 - 328 - 200.0 - 328 - 60 - 76	+ 850 + 1562 + 200.0 + 392 + 200.0 + 392 + 200.0 + 392 + 200.0 + 392 + 180 + 356
BQ TRX Resis- tance	0 to 20Ω 0 to 200Ω 0 to 2000Ω 0 to 20.00kΩ	Ω	±(0.2%RDG+2DGT) 25% to 110% FS ±(0.2%RDG+3DGT) 0% to 25% FS	±150 ppm/°C	0 0 0 0	20.00 (■) 200.0 (■) 2000 (■) 20.00 (■)

(*) <45Hz, >65Hz: ±(0.5%RDG+3DGT) 0% to 25% FS; ±(0.5%RDG+2DGT) 25% to 110% FS.

(■) The min. indication for TRMS measurement (AC or DC) is 0; it is possible to modify the decimal point position.



Input impedances and overloads

Module	Inputs	Type	Impedance	Overload (continuous)	Overload (1s)
BQ LSX/ BQ LSE/ BQ LSF	-200µA to +200µA	AC/DC	≤2.2kΩ	5mA	10mA
	-2mA to +2mA	AC/DC	≤22Ω	50mA	150mA
	-20mA to +20mA	AC/DC	≤22Ω	50mA	150mA
	-200mV to +200mV	AC/DC	≥2.2kΩ	10V	20V
	-2V to +2V	AC/DC	≥200kΩ	50V	100V
	-20V to +20V	AC/DC	≥200kΩ	50V	100V
BQ HSX	-200mA to +200mA	AC/DC	≤1Ω	0.8A	1A
	-2A to +2A	AC/DC	≤0.012Ω	7.5A	100A
	-5A to +5A	AC/DC	≤0.012Ω	7.5A	100A
	-20V to +20V	AC/DC	≥2MΩ	750V	1000V
	-200V to +200V	AC/DC	≥2MΩ	750V	1000V
	-500V to +500V	AC/DC	≥2MΩ	750V	1000V
BQ TRX Thermo- couple	-50°C to +760°C	J	I _{LK} < 0.5µA	Max 5V	Max 10V
	-58 °F to +1400 °F	J			
	-200°C to +1260°C	K			
	-328 °F to +2300°F	K			
	-200°C to +1000°C	E			
	-328°F to +1832°F	E			
	-50°C to +1750°C	S			
	-58°F to +3182°F	S			
BQ TRX Thermoresis- tance	-200°C to +850°C	Pt100	800µA (*)	Max 5V	Max 10V
	-328°F to +1562°F	Pt100	800µA (*)		
	-200,0°C to +200,0°C	Pt250/Pt100	90µA (*)		
	-328°F to +392°F	Pt250/Pt100	90µA (*)		
	-200,0°C to +200,0°C	Pt1000/Pt500	800µA (*)		
	-328°F to +392°F	Pt1000/Pt500	800µA (*)		
	-60°C to +180°C	Ni100	800µA (*)		
	-76°F to +356°F	Ni100	800µA (*)		
BQ TRX Resistance	0 to 20Ω	Ω	800µA (*)	Max 5V	Max 10V
	0 to 200Ω		90µA (*)		
	0 to 2000Ω		800µA (*)		
	0 to 20.00kΩ		90µA (*)		

Output specifications

RS422/RS485	Serial output	(on request) Module: BR SX Bidirectional (static and dynamic variables). Display of data reception/transmission Multidrop, 2 or 4 wires, 1000m Directly on the module by means of jumper 1 to 255, selectable by means of software MODBUS RTU/JBUS Measurement, min value max value alarm status All programming parameters, min max reset	Data format	8 data bit, no parity, 1 stop bit selectable 4800, 9600, 19200 and 38400 bit/s By means of opto-couplers 4000 V _{rms} output to measuring inputs 4000 V _{rms} output to power supply input
	LED		Baud rate	
	Connections		Insulation	
	Distance			
	Terminalization			
	Addresses			
RS232	Protocol	(on request) Module: BR SY Bidirectional (static and dynamic variables) 3 wires, max. 15m 1 start bit, 8 data bit, no parity, 1 stop bit selectable 4800, 9600, 19200 and 38400 bit/s As per RS422/485	Serial output	
	Data (bidirectional)		Connections	
	Dynamic (reading only)		Distance	
	Static (reading/writing)		Data format	
			Baud rate	
	Other characteristics			

(*) Max. generated measuring current for resistance equal to 0Ω

Output characteristics (continuous)

Alarm output Alarm type	<p>(on request) Over-range alarm, up alarm, down alarm, down alarm with start-up deactivation up alarm with latch, down alarm with latch Adjustable from 0 to 100% of displayed electric range 0 to 100% of displayed range 0 to 255 s 0 to 255 s Selectable: normally energized /de-energized 500 ms, with filter excluded, without alarm activation delay 1 with module BO R1 (relay output). 2, independent with module BO R2 (2 relay outputs). 4, independent with module BO R4 (2 relay outputs + 2 open collector outputs). BO R5 (4 relay outputs). Type SPDT AC 1: 8A, 250VAC DC 12: 5A, 24VDC AC 15: 2.5A, 250VAC DC 13: 2.5A, 24VDC Type SPST (NO) AC 1: 5A, 250VAC DC 12: 3A, 24VDC AC 15: 1.5A, 250VAC DC 13: 1.5A, 24VDC 4000 V_{RMS} output to measuring input, 4000 V_{RMS} output to power supply input.</p>	Open collector output	<p>NPN transistor type V_{ON} 1.2 VDC/ max. 100 mA V_{OFF} 30 VDC max. By means of opto-couplers 4000 V_{RMS} output to measuring input 4000 V_{RMS} output to power supply input</p>
Alarm set-point		Insulation	
Hysteresis		Single analogue output	
On-time delay		Range	
Off-time delay		Scaling factor	
Output status		Accuracy	
Min response time		Response time	
Output channels		Temperature drift	
BO R1, R2, R4 relay outputs		Load: 20 mA output 10 V output	
BO R5 relay output		Insulation	
Insulation	Notes:	<p>(on request) Module: BO AV 0 to 20 mADC, 0 to 10 VDC Programmable within the entire retransmission range; allows to manage the retransmission of all the values from 0 to 20 mA / 0 to 10V ± 0.2% FS (@ 25°C ± 5°C) ≤ 10 ms ± 200 ppm/°C ≤ 700 Ω ≥ 10 kΩ By means of opto-couplers 4000V_{rms} output to measuring input 4000V_{rms} output to power supply input The two outputs cannot be used at the same time.</p>	
	Excitation output		
	BQ LSE Module		
	Voltage	13 VDC ±10% max. 50 mA	
	BQ LSF Module		
	Voltage	25 VDC ±10% max. 25 mA	
	Insulation	25V _{rms} output to measuring input 4000 V _{rms} output to power supply input	

Software functions

Min / Max storage	Automatic storage (in the EEPROM) of the minimum and maximum measured value from the previous memory reset	displayed scale compression/expansion (max. 2 without filter, up to 10 with filter)
Measurement selection	Depending on the module: measuring range and type of probe (resistance, RTD thermoresistance, TC thermocouple) or measuring type (TRMS or DC).	Programmable within the whole measuring range Programmable within the display range
Integration time selection	Automatic or from 100.0 to 999.9 ms only in the current and voltage measurement.	Programmable within the display range
Scaling factors Operating mode	Electrical scale compression,	Diagnostics (only with Usc Soft) The display flashes when the limits of the display range are exceeded and the data are updated up to 20% of the rated display range. Only temperature inputs
		Burn-out:



Software functions (continuous)

TC	Opening of probe's connection: EEE indication	Linearization Points Input range Output range	Up to 16 Selectable by every single point Selectable by every single point
RTD	Opening of probe's connection: EEE indication probe's short circuit: -EEE indication.		
Digital filter Filter operating range Filtering coefficient	0 to 9999 1 to 32	UscSoft	Software for programming USC by means of PC (Windows 95, 98se, ME, XP) by means of serial port RS485 and relevant connection cable. UscSoft includes programming, displaying, min-max storage functions. The software is available in English, Spanish, Italian, German and French. See also "The programming of USC by means of PC".
Scaling	Selection of min value of the input range. Selection of max value of the input range. Selection of decimal point position. Selection of min display value. Selection of max display value.		

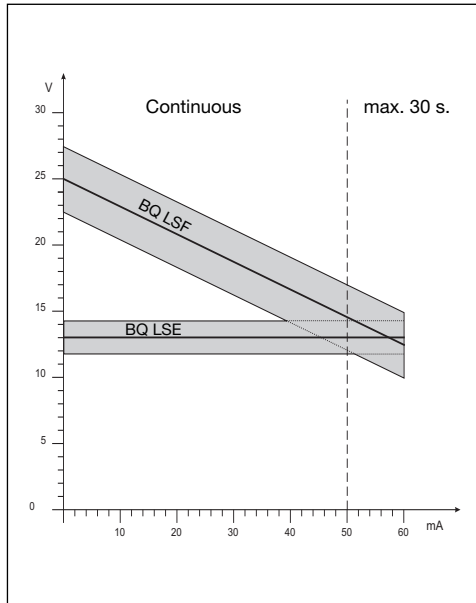
General Specifications

Operating temperature	0° to 50°C (32° to 122°F) (H.R. < 90% non-condensing)	Safety Standards Safety	EN 61010-1, IEC 61010-1
Storage temperature	-10° to 60°C (14° to 140°F) (H.R. < 90% non-condensing)	Connections Wire section	Screw type Max 2.5mm ²
Insulation reference voltage	300 V _{RMS} to ground (500V input)	Housing Dimensions Material	44 x 113 x 107 mm PC-ABS, self-extinguishing: UL 94 V-0
Insulation	See table "Insulation between inputs and outputs"		
Dielectric strength	4000 V _{RMS} for 1 minute	Protection degree	IP20
Rejection NMRR CMRR	40 dB, 40 to 60 Hz 100 dB, 40 to 60 Hz	Weight	560 g approx (included all modules and packing)
EMC	EN61000-6-2, IEC61000-6-2 EN61000-6-3, IEC61000-6-3	Approvals	CE, UR, CSA

Supply Specifications

AC/DC voltage	90 to 260V (standard) 18 to 60V (on request)	Energy consumption	≤ 30VA/12W (90 to 260V) ≤ 20VA/12W (18 to 60V)
----------------------	---	---------------------------	---

Excitation output



Insulation between inputs and outputs

	Meas. inputs	Relay output	Static output	Analogue output	Serial Port	AUX p.supply	90-260VAC/DC p.supply	18-60VAC/DC p.supply
Meas. inputs	-	4kV	4kV	4kV	4kV	25V	4kV	4kV
Relay Output	4kV	-	2kV	4kV	4kV	4kV	4kV	4kV
Static Output	4kV	2kV	-	4kV	4kV	4kV	4kV	4kV
Analogue Output	4kV	4kV	4kV	-	4kV	4kV	4kV	4kV
Serial Port	4kV	4kV	4kV	4kV	-	4kV	4kV	4kV
AUX p.supply	25V	4kV	4kV	4kV	4kV	-	4kV	4kV
90/260VAC/DC p. supply	4kV	4kV	4kV	4kV	4kV	4kV	-	-
18-60VAC/DC p. supply	4kV	4kV	4kV	4kV	4kV	4kV	-	-

Available modules

Type	N. of channels	Ordering code
USC main unit		BD XX
DC/AC input: 200µA , 2mA, 20mA, 200mV, 2V, 20V	1	BQ LSX
DC/AC input: 200µA , 2mA, 20mA, 200mV, 2V, 20V + excitation output	1	BQ LSE/ BQ LSF
DC/AC input: 200mA, 2A, 5A, 20V, 200V, 500V	1	BQ HSX
Input: 20Ω, 200Ω, 2kΩ, 20kΩ	1	BQ TRX
TC: J-K-S-T-E, Pt100-250-500-1000, Ni100	1	BQ TRX
Analogue output 0 to 20mA, 0 to 10V	1	BO AV
Relay output	1	BO R1
Relay output	2	BO R2
Outputs: 2 relays + 2 open collectors	4	BO R4
Relay output	4	BO R5
RS485 Serial Port	1	BR SX
RS232 Serial Port	1	BR SY
Power supply 18 to 60V AC/DC		BP L
Power supply 90 to 260V AC/DC		BP H

Possible module combinations

Basic Unit	Slot				
	A	B	C	D	E
Measuring inputs: LSX, LSE, LSF, HSX, TRX	●				
RS485 serial port: SX		●			
RS232 serial port: SY		●			
Analogue output: AV (*)			●	●	
Relay outputs and/or open collector: R1, R2, R4, R5			●		
Power supply: H, L					●

(*) Up to 1 module max.

Used calculation formulas

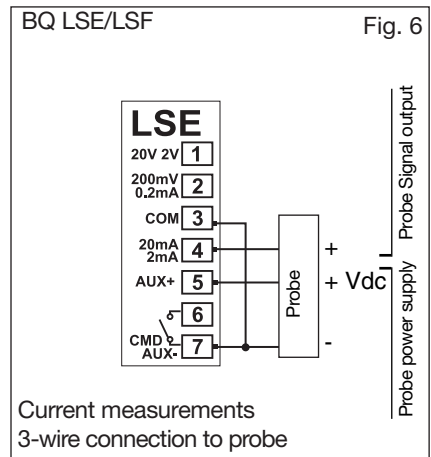
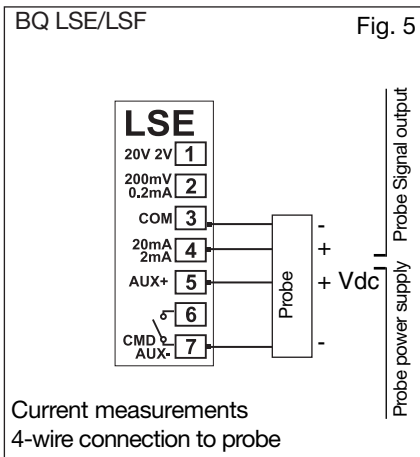
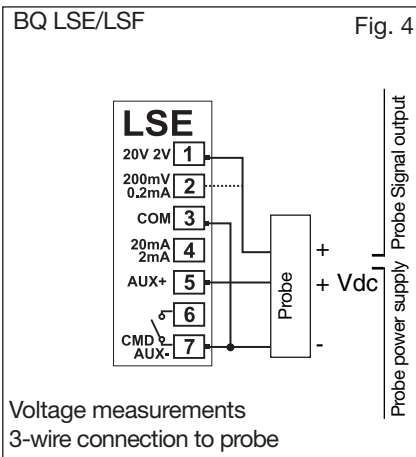
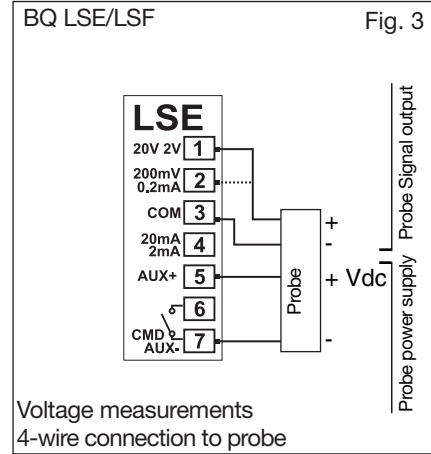
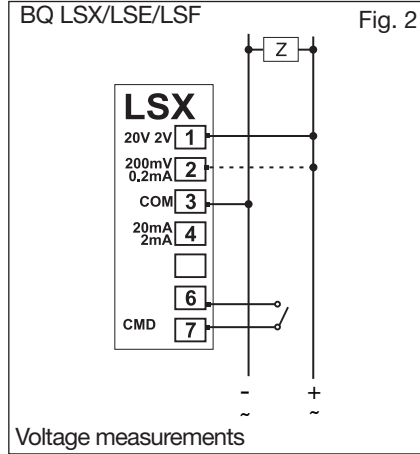
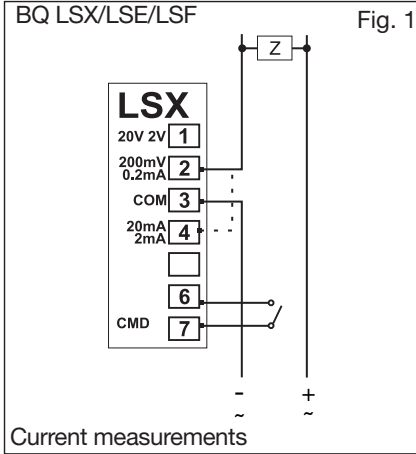
Only for TRMS Measurements

Instantaneous effective voltage (TRMS)
$$V_1 = \sqrt{\frac{1}{n} \cdot \sum_1^n (V_1)_i^2}$$

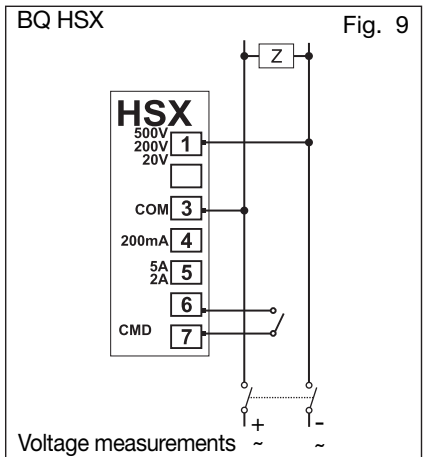
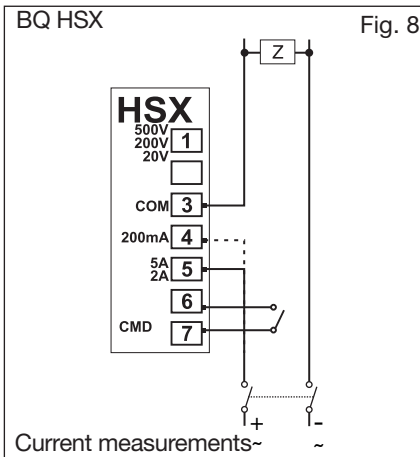
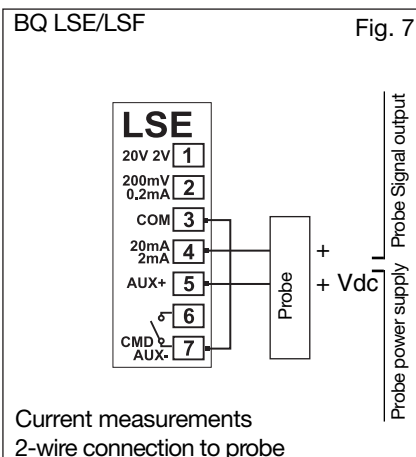
Instantaneous effective current (TRMS)
$$A_1 = \sqrt{\frac{1}{n} \cdot \sum_1^n (A_1)_i^2}$$

Wiring diagrams

Process signal wiring diagrams

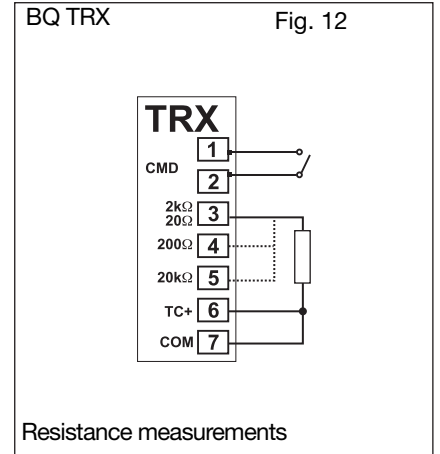
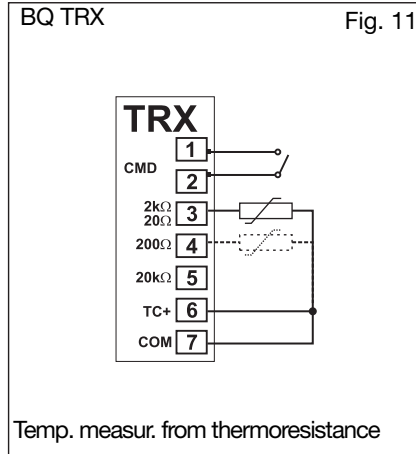
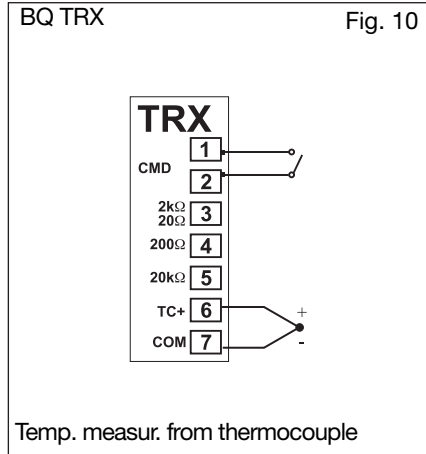


Wirings for high-level signals

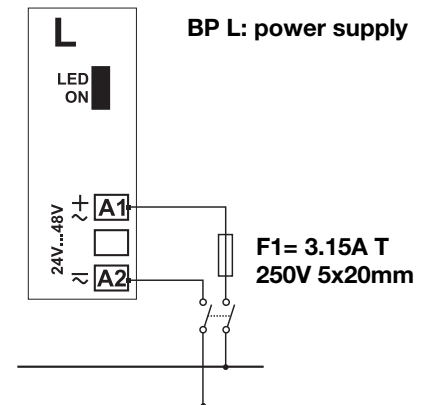
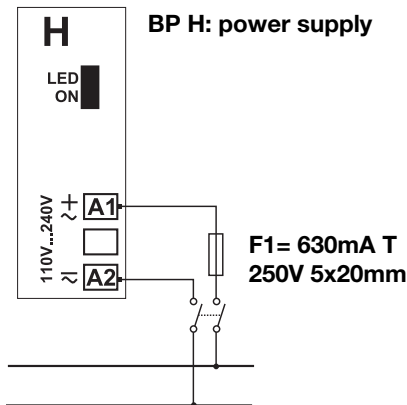


Wiring diagrams (cont.)

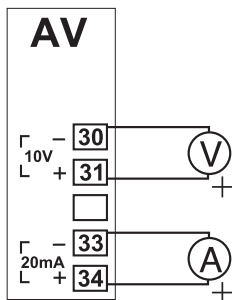
Wiring diagrams for temperature measurements



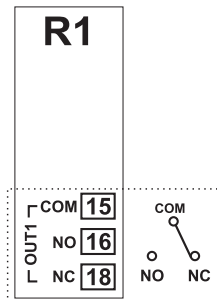
Wiring diagrams for power supply



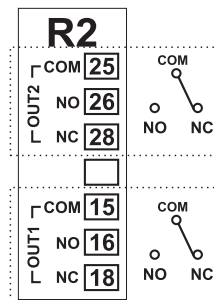
Wiring diagrams of optional modules



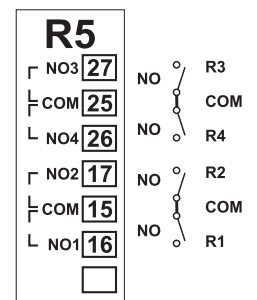
BO AV: single analogue output (10V, 20mA)



BO R1: 1 relay output

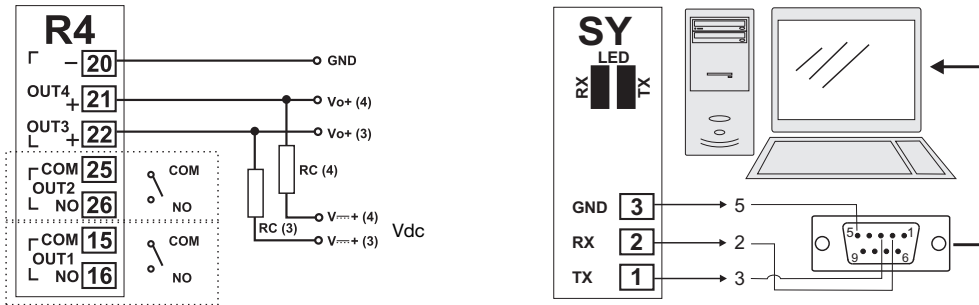


BO R2: 2 relay outputs



BO R5: 4 relay outputs

Wiring diagrams of optional modules (cont.)



BO SY: RS232 direct connection to PC by means of COM port. RS232 has no termination.

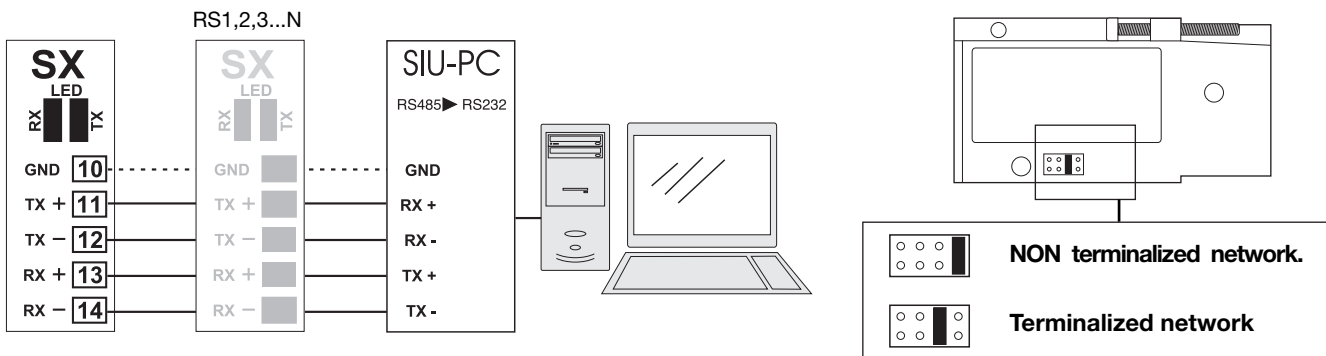
BO R4: dual relay output +dual open collector output:

the load resistances (Rc) must be designed so that the close contact current is lower than 100mA; the VDC voltage must be lower than or equal to 30VDC.

VDC: power supply output

Vo+: positive output (open collector transistor).

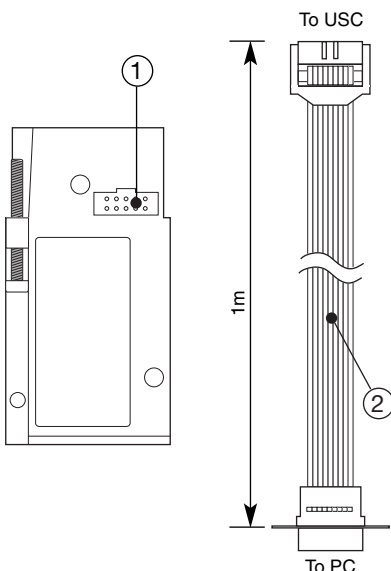
GND: ground collector (open collector transistor).



BR SX: RS485 4-wire connection: additional devices provided with RS485 port (indicated as RS1,2,3...N) are connected in parallel. The termination of the serial port is carried out only on the last instrument of the network. The serial module is provided with a jumper for the termination of the RS485 network as shown in the figure above.

Note: particular types of cables or plants may require an external termination. For the network connections use twisted cable type AWG26.

Programming USC by means of PC



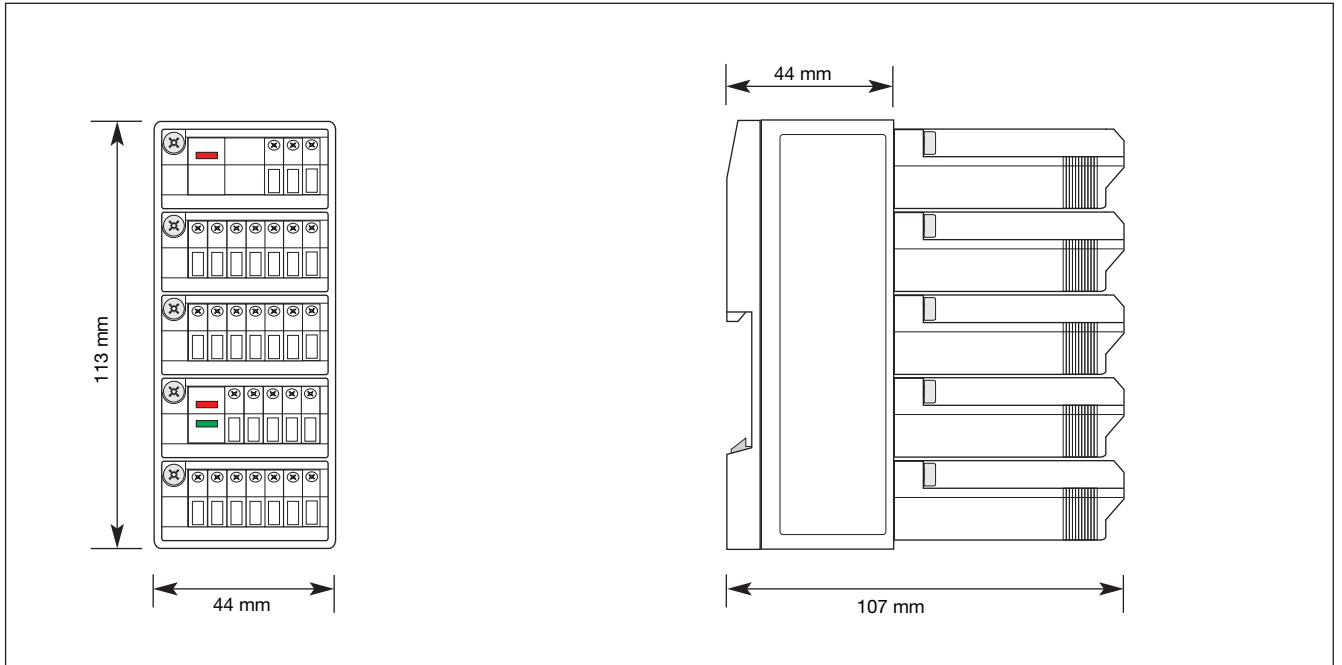
USC is programmable by PC by means of the UscSoft software (available on request). The user can program all parameters of USC that will be subsequently uploaded and set in the instrument by the RS485 network (BR SX).

Should USC be without the RS485 serial module, all programming parameters will be uploaded and set in the instrument by the RS232 auxiliary serial connection (1) located on the side of the measuring input module using the special connection cable (2) available on request, as shown in the figures on the left. It is also possible to program the instrument using the connector (1) by means of the HyperTerminal Windows functions of a PC.

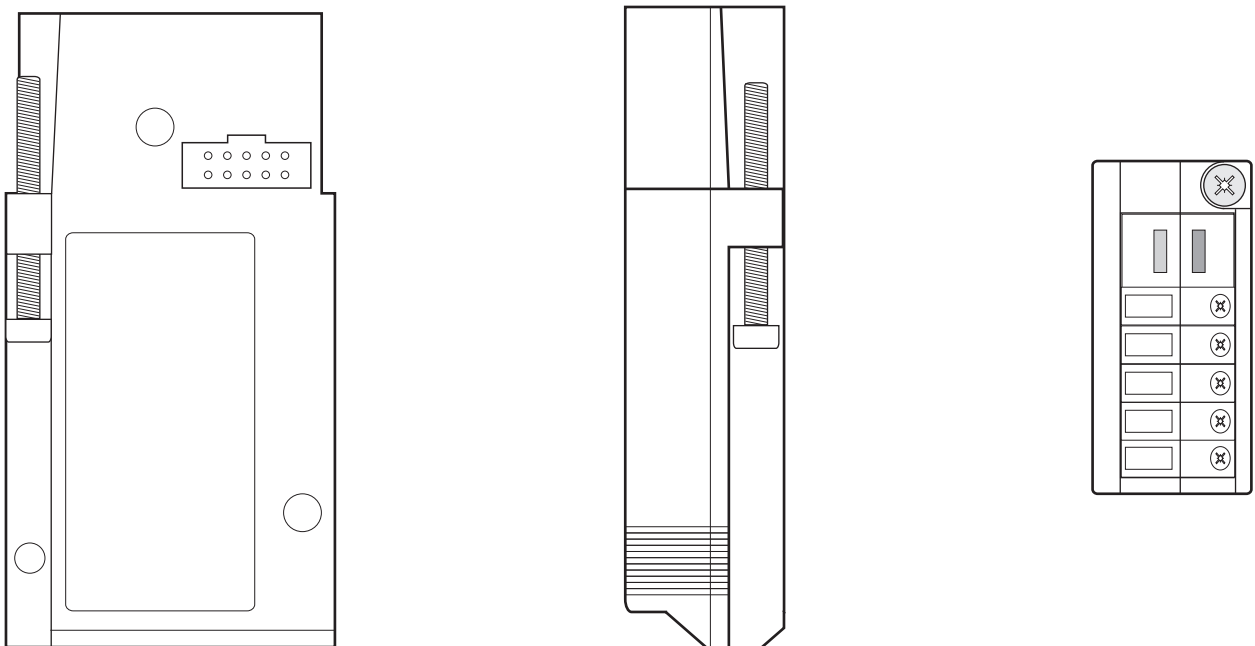
Note: the RS232 auxiliary port IS NOT insulated from the measuring inputs.

Ordering code of the cable (2): UCOM1

Dimensions

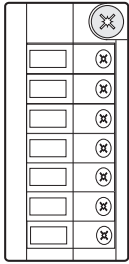


Dimensions of optional module in scale 1:1



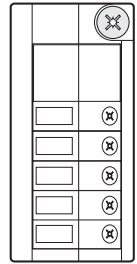
Modules

Input modules



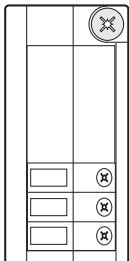
**BQ LSX, BQ LSE,
BQ LSF, BQ HSX,
BQ TRX**
Measuring inputs

Output modules

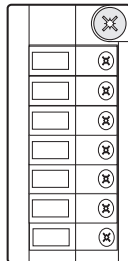


BO AV
Single analogue
output 10V, 20mA

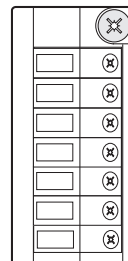
Output modules



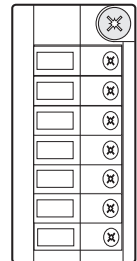
BO R1
Single relay output



BO R2
Dual relay output

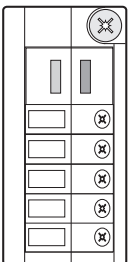


BO R4
Dual relay output +
Dual open collector

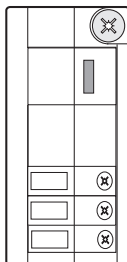


BO R5
4-relay output

Serial port modules

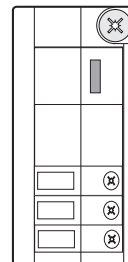


BR SX
RS485 Serial port

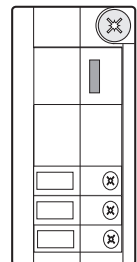


BR SY
RS232 Serial port

Power supply modules



BP H
Power supply:
60 to 260V AC/DC



BP L
Power supply:
18 to 60V AC/DC