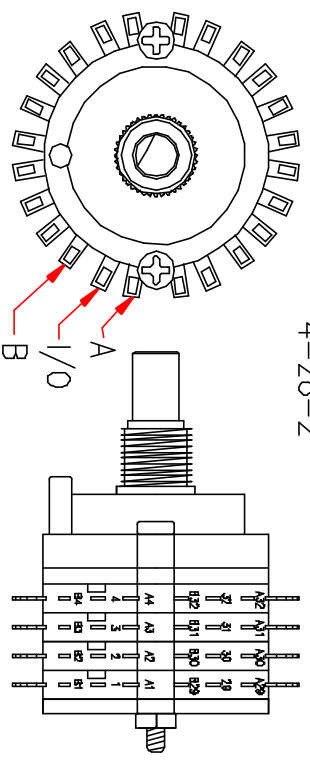
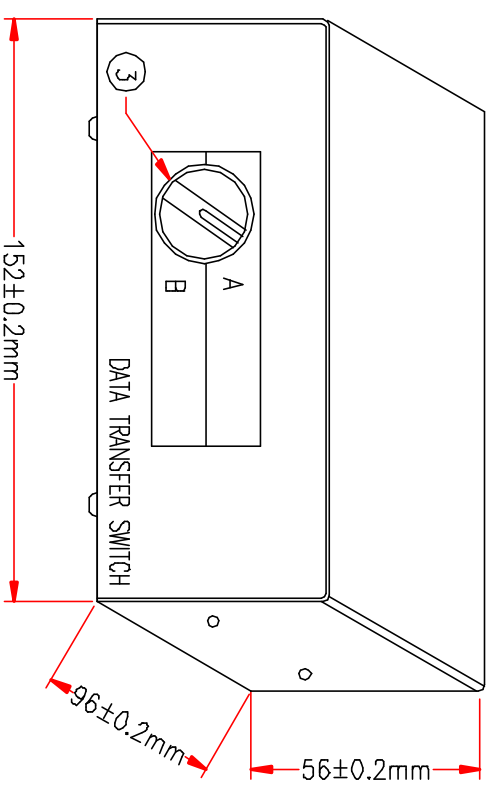


4-28-2



DB25 F I/O	SWITCH	DB25 F A&B
1 _____	1 _____	1 _____
2 _____	2 _____	2 _____
} 1:1		} 1:1
24 _____	24 _____	24 _____
25 _____	25 _____	25 _____
SHIELD _____	SHIELD _____	SHIELD _____



6	PLASTO-VISCO-ELASTIC BODY	4	M562
5	SCREW 3*6PWB	4	M805
4	METAL CASE, THICKNESS 0.8mm	1set	M415
3	UL1061 26AWG INSULATOR, LENGTH 150mm	77	M541
	MAIN HEART 4-28-2	1	M94
	SCREW 4*12.5mm WITH PAD	1set	M94
2	KNOB FOR A, B, SWITCH	1	M94
	HEX-NUT 4.75*13mm, SCREW CAP 4.75*1.5	6set	M95
1	DB25 FEMALE, GOLD FLASH ON CONTACTS, BLUE INSULATOR	3	M83
No.	DESCRIPTION	QTY	Supplier

ITEM NO.
CS00191