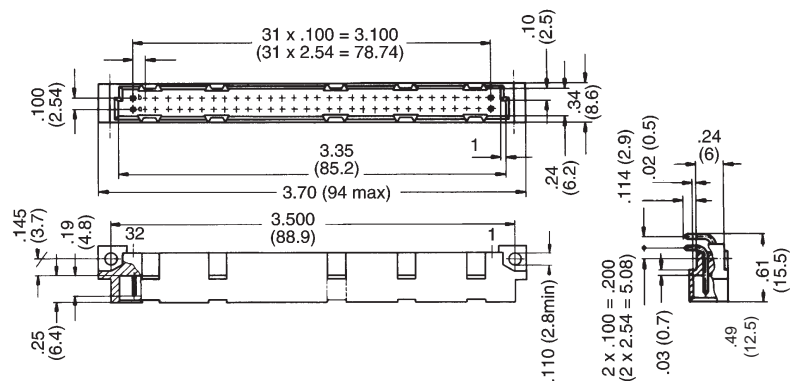
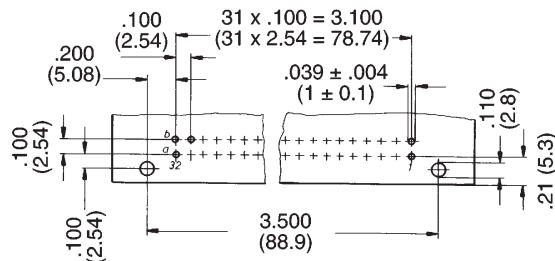


**Type B —  
Series 100**

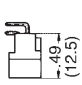
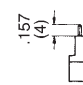
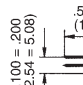
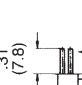
**32 and 64 Male Connectors  
— Two Row**



**Printed Circuit Layout**



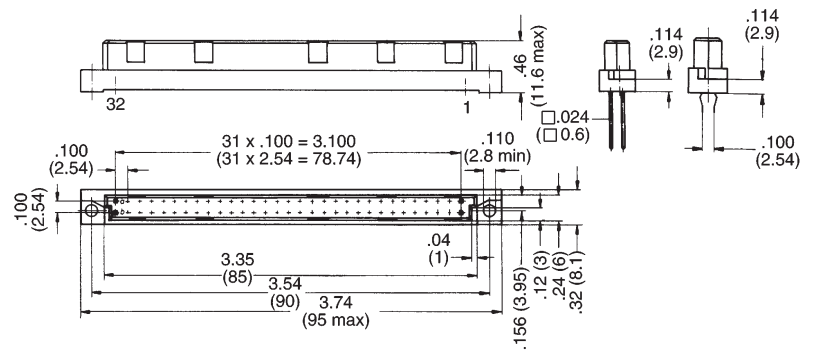
**Part Numbers**

No. of Contacts	Contact Arrangement	Performance Level	Termination Methods			
						
32	Row a + b All Even Numbers	2	100-532-033*	—	—	—
		3	100-532-053	—	—	—
64	Fully Equipped	2	100-064-033	100-064-133*	100-064-031*	100-064-134*
		3	100-064-053	100-064-153	100-064-051	100-064-154*

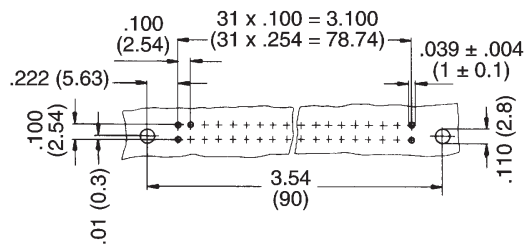
\* Contact Factory For Availability

**Type B —  
Series 100**

**32 and 64 Contact Female  
Connectors — Two Row**



**Printed Circuit Layout - Straight Tail Version**



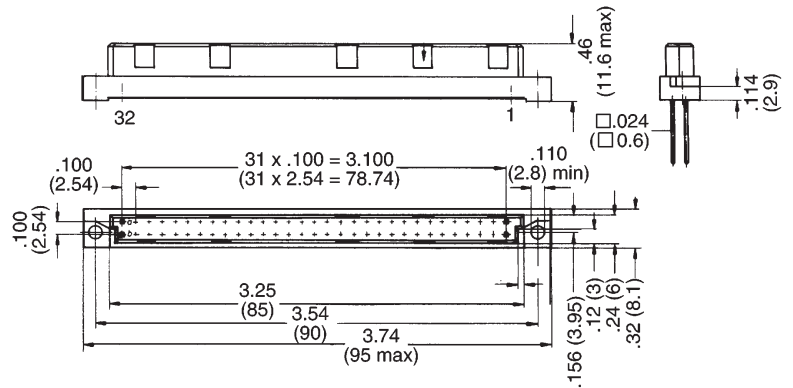
**Part Numbers**

No. of Contacts	Contact Arrangement	Performance Level	Termination Methods					
32	Row a + b All Even Numbers	2	—	—	100-532-433	—	—	—
		3	—	—	100-532-453*	—	—	—
64	Fully Equipped	2	100-064-431	100-064-432	100-064-433	100-064-439*	100-064-434*	100-064-533
		3	100-064-451	100-064-452	100-064-453	100-064-459	100-064-454*	100-064-553

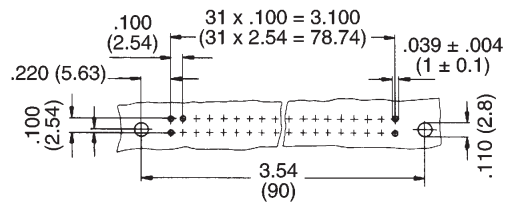
\* Contact Factory For Availability    \*\* Printed Circuit Layout On Page 68

**Type B —  
Series 100**

**Press-Fit  
64 Contact Female  
Connectors — Two Row**



**Printed Circuit Layout**



**Press-Fit Technical Specifications**

Compliant Pin	
P.C.B. Thickness	.06 - .13 (1.6 - 3.2 mm)
Finished Hole Size	.037 - .043 (0.94 - 1.09 mm)
Drill Size	.045 ± .0004 (1.15 <sup>±0.01</sup> mm)
Copper	100μ" - 300μ" (25-76μm)
Tin-Lead	30μ" (6μm min)

**Part Numbers**

No. of Contacts	Contact Arrangement	Performance Level	Press-Fit			Press-Fit Insertion Die
64	Fully Equipped	2	100-064-932	100-064-931*	—	—
		3	100-064-952	100-064-951*	—	200-022-081

\* Contact Factory For Availability