

4

3

2

1

THIS DRAWING IS UNPUBLISHED.

RELEASED FOR PUBLICATION

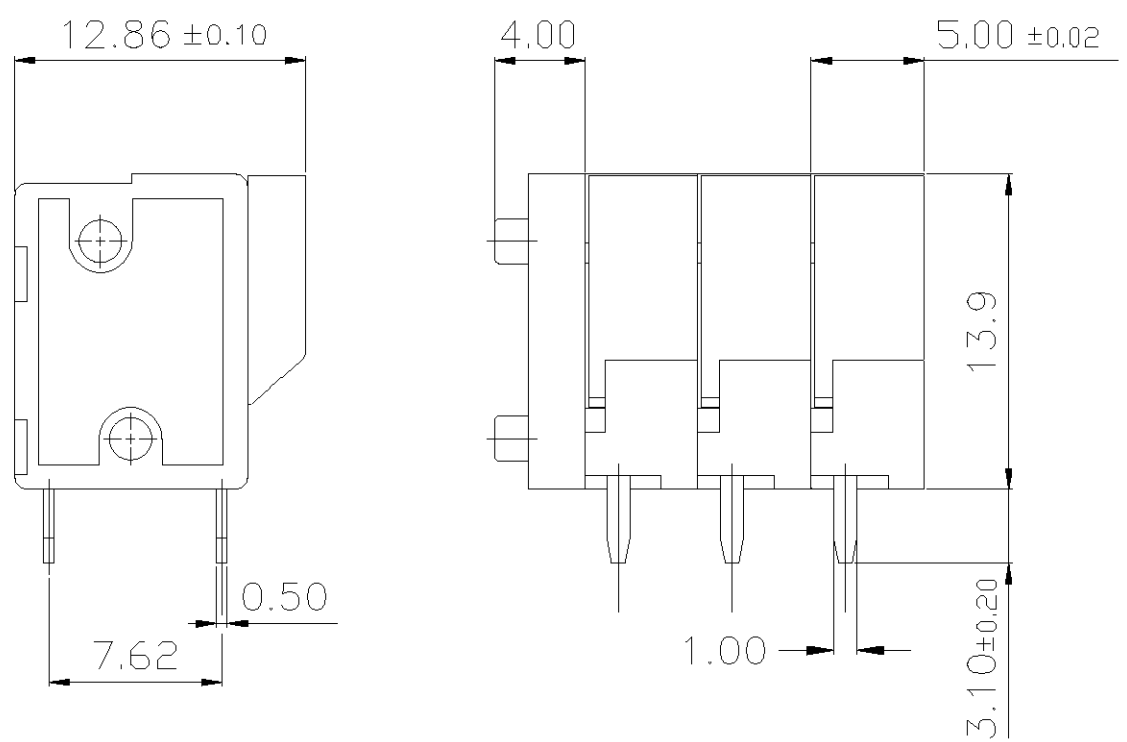
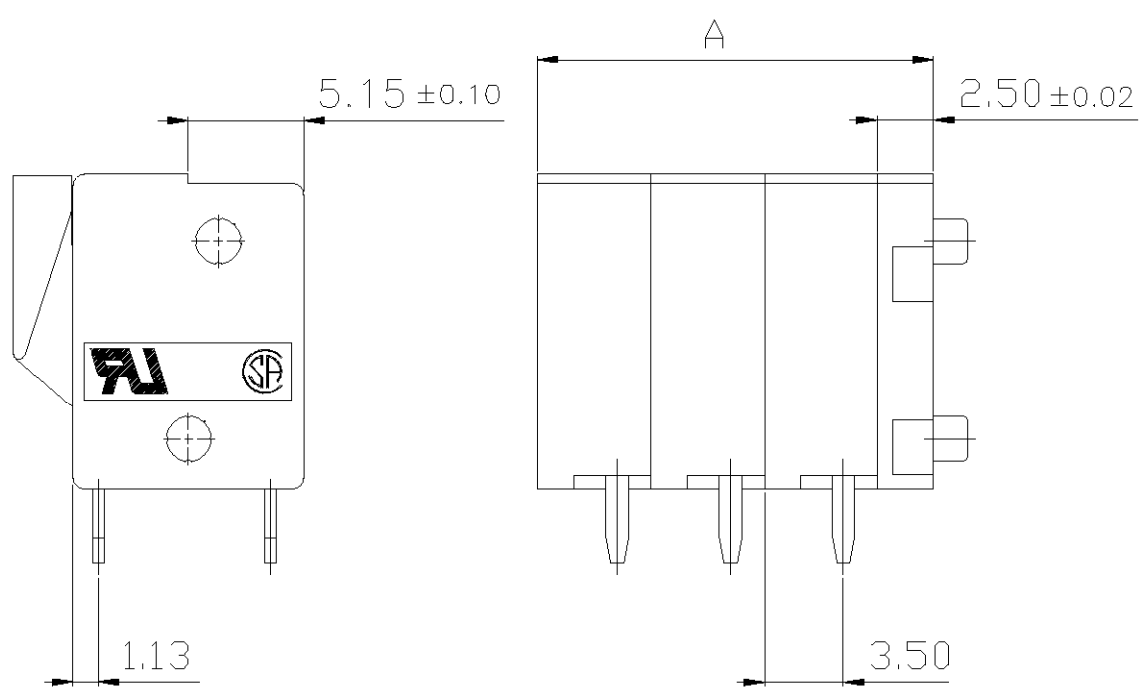
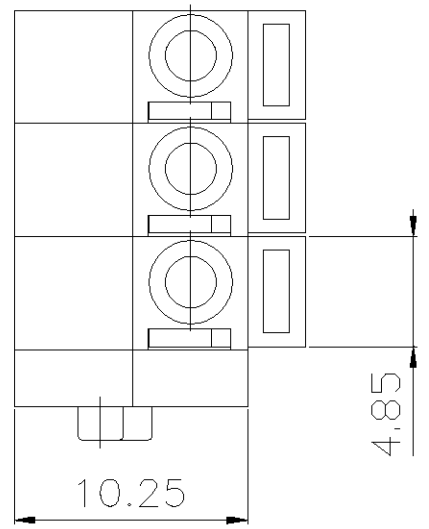
© COPYRIGHT BY TYCO ELECTRONICS CORPORATION. ALL RIGHTS RESERVED.

LOC FT DIST 0

REVISIONS

P	LTR	DESCRIPTION	DATE	DWN	APVD
	A	RELEASED	-	EZ	-

62.50	12	1-796460-2
57.50	11	1-796460-1
52.20	10	1-796460-0
47.50	9	796460-9
42.50	8	796460-8
37.50	7	796460-7
32.50	6	796460-6
27.50	5	796460-5
22.50	4	796460-4
17.50	3	796460-3
12.50	2	796460-2
DIM. A	NO. OF POS.	PART NUMBER



796460-3 AS SHOWN

THIS DRAWING IS A CONTROLLED DOCUMENT.		DWN E. ZANOLINI 29JAN01	tyco Electronics	Tyco Electronics Corporation Harrisburg, PA 17105-3608	
DIMENSIONS: MM		CHK E. ZANOLINI 29JAN01		NAME	
TOLERANCES UNLESS OTHERWISE SPECIFIED:		APVD D. BIEVENOUR 29JAN01	BOARD MT. SCREWLESS 5.0mm TOP WIRE ENTRY TERMINAL BLOCK (LT)		
0 PLC ± -		PRODUCT SPEC	RESTRICTED TO		
1 PLC ± -		APPLICATION SPEC	SIZE	CAGE CODE	DRAWING NO
2 PLC ± 0.08		—	A3 00779		©=796460
3 PLC ± -		—	SCALE 3:1 SHEET 1 OF 2 REV A		
4 PLC ± -		WEIGHT	—		
ANGLES ± -		—	CUSTOMER DRAWING		
FINISH		—	—		

THIS DRAWING IS UNPUBLISHED. RELEASED FOR PUBLICATION
 © COPYRIGHT BY TYCO ELECTRONICS CORPORATION. ALL RIGHTS RESERVED.

LOC	DIST	REVISIONS			
P	LTR	DESCRIPTION	DATE	DWN	APVD
FT	0	SEE PAGE 1	-	EZ	-

1. Application and Features:

- 1-1. This screwless terminals are suitable for both solid and flexible conductors.
- 1-2. A spring made of stainless strip steel guarantees for permanent and safe contact.
- 1-3. The type is operated by pushing a screwdriver on the level. This lever is fully integrated into the body.
- 1-4. It is equipped with a cover for easy hand adjustment.

2-2. Electrical:

- 2-2-1. Current rating: 15 Amp 300VAC.
- 2-2-2. Dielectric withstanding voltage: 2000VAC (min).
- 2-2-3. Insulation resistance: 500MΩ more at 500VAC.
- 2-2-4. Wire Range: 14-22AWG.

2. Technical Data:

2-1. Material:

- 2-1-1. HOUSING: NYLON FR15, (Without Glass), UL 94 V-0 (Green).
- 2-1-2. Contact: Brass(Cu Zn) Ni,Tin plated.
first 50u" (min) Ni plated over all.
last 120u" (min) Tin plated over all.
- 2-1-3. Metal Plate: Stainless strip steel.

2-3. Mechanical:

- 2-3-1. Wire retention force: 1.2 Kg (min).
- 2-3-2. Operating temperature: -55°C to +105°C.
- 2-3-3. Solderability: 95% coverage (min).

THIS DRAWING IS A CONTROLLED DOCUMENT.		DWN E. ZANOLINI 29JAN01	tyco Tyco Electronics Corporation	
DIMENSIONS: MM		CHK E. ZANOLINI 29JAN01	Electronics Harrisburg, PA 17105-3608	
	TOLERANCES UNLESS OTHERWISE SPECIFIED:	APVD D. BIEVENOUR 29JAN01	NAME TERMINAL BLOCK BOARD MT, SCREWLESS TOP WIRE ENTRY 5.0mm PITCH (LT)	
	0 PLC ± - 1 PLC ± - 2 PLC ± - 3 PLC ± - 4 PLC ± - ANGLES ± -	PRODUCT SPEC -	SIZE CAGE CODE DRAWING NO RESTRICTED TO A3 00779 C=796460 -	
MATERIAL -	FINISH -	WEIGHT -	CUSTOMER DRAWING SCALE 1:1 SHEET 2 OF 2 REV A	