

MICRO SWITCH

a Honeywell Division

FED. MFG. CODE 91929

MINIATURE PRECISION LIMIT SWITCH

CATALOG LISTING
914CE3-9

914CE3-9

M

DRAWING
NUMBER

5

ISSUE

REPLACES

RELEASE NO. ETS

CHECK

REVISIONS

A CO-69061
S A V
4 OCT 91

CHECK

13 NOV 91

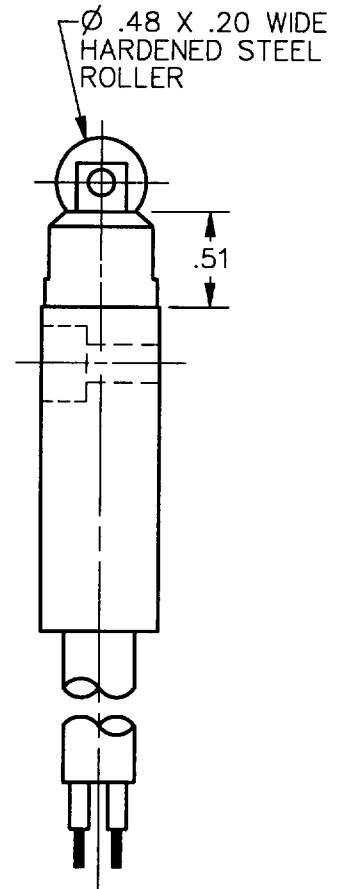
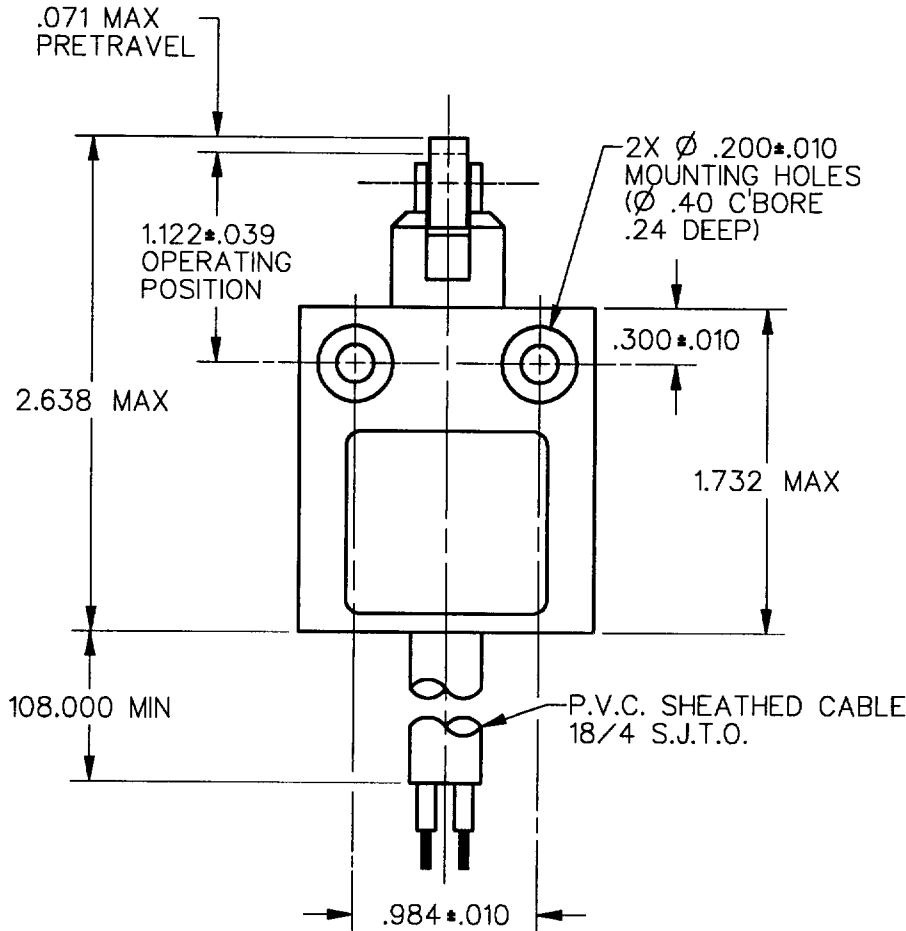
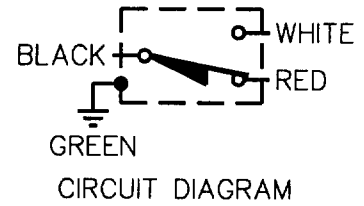
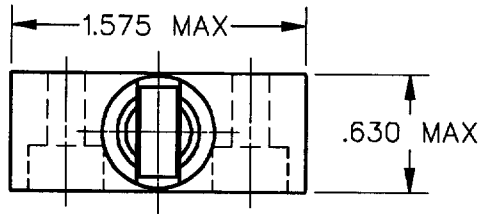
DRAWN

CHECK

4 OCT 91

DDM/CAD

DRAWN

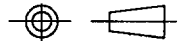


NOTES
1 - ZINC HOUSING FINISHED WITH GRAY PAINT

ANSI Y14.5M-1982 APPLIES

THIS DRAWING COVERS A PROPRIETARY ITEM AND IS THE PROPERTY OF MICRO SWITCH, A DIVISION OF HONEYWELL. THIS DRAWING IS NOT TO BE COPIED OR USED WITHOUT THE APPROVAL OF MICRO SWITCH.

THIRD ANGLE PROJECTION



CHARACTERISTICS	
OPERATING FORCE	--- 2.7 LB MAX
RELEASE FORCE	--- 1.0 LB MIN
DIFFERENTIAL TRAVEL	--- .004 MAX
OVERTRAVEL	--- .118 MIN

ELECTRICAL DATA

CONTACT ARRANGEMENT
S P D T

5A - 250 VAC
1/10HP - 125 OR 250 VAC



SCALE	FULL	DO NOT SCALE PRINT
UNLESS OTHERWISE SPECIFIED TOLERANCES ARE		
ONE PLACE	(.0)	±.030
TWO PLACE	(.00)	±.015
THREE PLACE	(.000)	±.005
ANGLES		±
WEIGHT		