

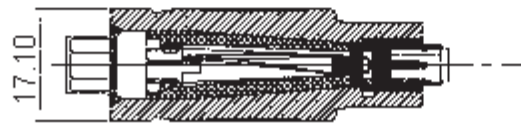
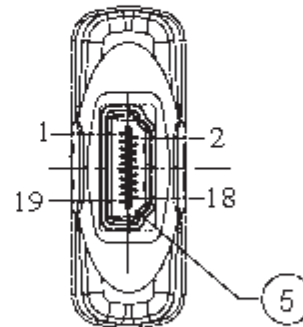
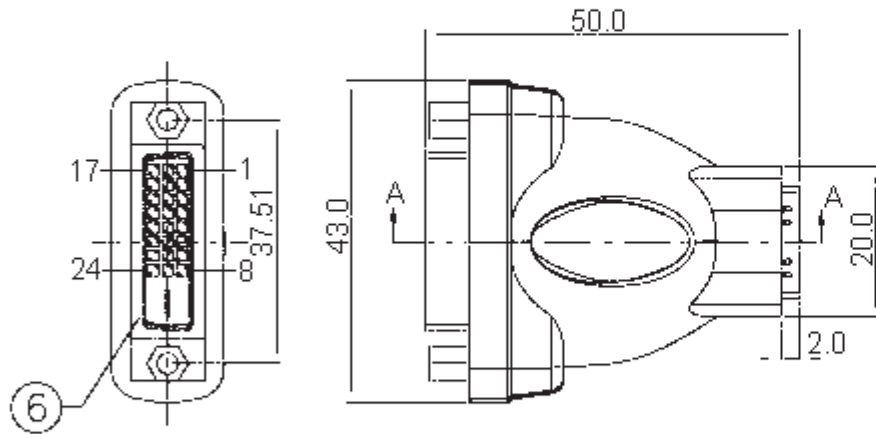
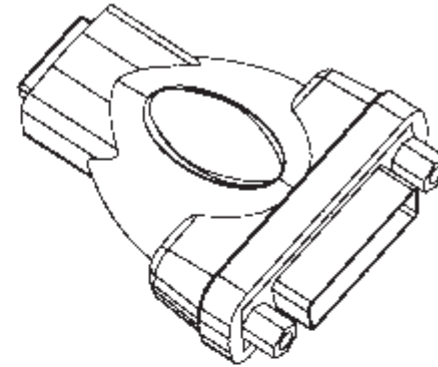
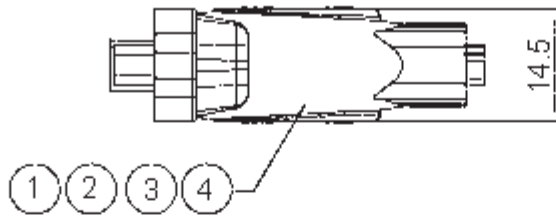


PART NO.

1901118

REVISIONS

ECN #	REV	DESCRIPTION	DRAWN	DATE	CHECKD	DATE	APPRVD	DATE
-	A	RELEASED	Babu	27/2/08	Suresh	27/2/08	G. C	13/3/08



SECTION A-A

Dimensions : Millimetres

This data sheet and its contents (the "Information") belong to the Premier Farnell Group (the "Group") or are licensed to it. No licence is granted for the use of it other than for information purposes in connection with the products to which it relates. No licence of any intellectual property rights is granted. The Information is subject to change without notice and replaces all data sheets previously supplied. The Information supplied is believed to be accurate but the Group assumes no responsibility for its accuracy or completeness, any error in or omission from it or for any use made of it. Users of this data sheet should check for themselves the Information and the suitability of the products for their purpose and not make any assumptions based on information included or omitted. Liability for loss or damage resulting from any reliance on the Information or use of it (including liability resulting from negligence or where the Group was aware of the possibility of such loss or damage arising) is excluded. This will not operate to limit or restrict the Group's liability for death or personal injury resulting from its negligence. SPC MULTICOMP is the registered trademark of the Group. © Premier Farnell plc 2008.

TOLERANCES:

UNLESS OTHERWISE SPECIFIED, DIMENSIONS ARE FOR REFERENCE PURPOSES ONLY.

DRAWN BY:	DATE:
Babu	27/02/08
CHECKED BY:	DATE:
Suresh	27/02/08
APPROVED BY:	DATE:
G.Cook	13/03/08

DRAWING TITLE:

Adapter - HDMI Female to DVI Female

SIZE <b>A</b>	DWG NO. <b>M10000793</b>	ELECTRONIC FILE 1428273_DWG	REV <b>A</b>
SCALE: NTS		U.O.M.: mm	SHEET: 1 OF 3



PART NO.

1901118

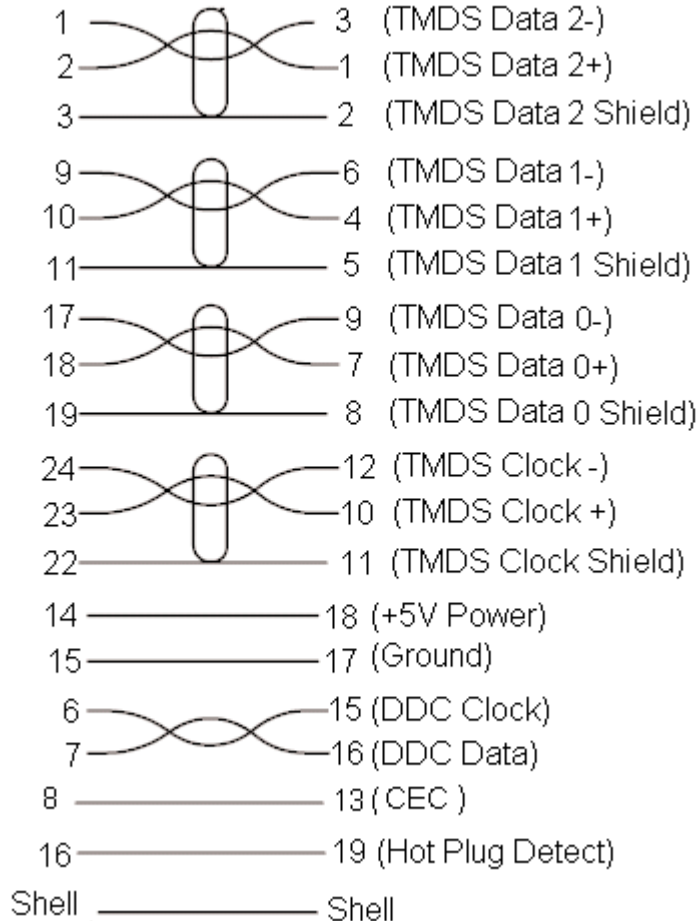
REVISIONS

ECN #	REV	DESCRIPTION	DRAWN	DATE	CHECKD	DATE	APPRVD	DATE
-	A	RELEASED	Babu	27/2/08	Suresh	27/2/08	G. C	13/3/08

Pin Assignment:

DVI CONN.

HDMI 19P CONN.



This data sheet and its contents (the "Information") belong to the Premier Farnell Group (the "Group") or are licensed to it. No licence is granted for the use of it other than for information purposes in connection with the products to which it relates. No licence of any intellectual property rights is granted. The Information is subject to change without notice and replaces all data sheets previously supplied. The Information supplied is believed to be accurate but the Group assumes no responsibility for its accuracy or completeness, any error in or omission from it or for any use made of it. Users of this data sheet should check for themselves the Information and the suitability of the products for their purpose and not make any assumptions based on information included or omitted. Liability for loss or damage resulting from any reliance on the Information or use of it (including liability resulting from negligence or where the Group was aware of the possibility of such loss or damage arising) is excluded. This will not operate to limit or restrict the Group's liability for death or personal injury resulting from its negligence. SPC MULTICOMP is the registered trademark of the Group. © Premier Farnell plc 2008.

TOLERANCES:

UNLESS OTHERWISE SPECIFIED, DIMENSIONS ARE FOR REFERENCE PURPOSES ONLY.

DRAWN BY:	DATE:
Babu	27/02/08
CHECKED BY:	DATE:
Suresh	27/02/08
APPROVED BY:	DATE:
G.Cook	13/03/08

DRAWING TITLE:

Adapter - HDMI Female to DVI Female

SIZE	DWG NO.	ELECTRONIC FILE	REV
A	M10000793	1428273_DWG	A
SCALE: NTS	U.O.M.: mm	SHEET: 2 OF 3	



PART NO.

1901118

REVISIONS

ECN #	REV	DESCRIPTION	DRAWN	DATE	CHECKD	DATE	APPRVD	DATE
-	A	RELEASED	Babu	27/2/08	Suresh	27/2/08	G. C	13/3/08

**Specifications:**

**Electrical Characteristics :**

Withstanding Voltage : 300V dc.  
 Insulation Resistance : 10M ohm.  
 Conductive Resistance : 2 ohm.

**Specification Table**

Number	Part Name	Part Description
1	Cable	UL20276 28AWG*1PR+Drain Wire + Free Edge AL/Mylar*4+28AWG*5C+AL/Mylar+ Braid Impedance:100 ohm.
2	Wire	UL1007/28#(7C/0.127TS) Black OD:1.2MM
3	Inner Moulding	PE Low Density
4	Outer Moulding	PVC: 45Pa Black (Optional)
5	HDMI Connector	HDMI 19P A Type Female For Solder Type Contact Selective Plated 30µ" Gold (Optional)
6	DVI Connector	DVI 24+1 Connector Female For Solder Type Conatct Selective Plated 15µ" Gold (Optional)

**Part Number Table**

Description	Part Number
Adaptor, HDMI Female / DVI Female, ROHS Compliant	1901118

<http://www.farnell.com>

<http://www.newark.com>

<http://www.cpc.co.uk>

This data sheet and its contents (the "Information") belong to the Premier Farnell Group (the "Group") or are licensed to it. No licence is granted for the use of it other than for information purposes in connection with the products to which it relates. No licence of any intellectual property rights is granted. The Information is subject to change without notice and replaces all data sheets previously supplied. The Information supplied is believed to be accurate but the Group assumes no responsibility for its accuracy or completeness, any error in or omission from it or for any use made of it. Users of this data sheet should check for themselves the Information and the suitability of the products for their purpose and not make any assumptions based on information included or omitted. Liability for loss or damage resulting from any reliance on the Information or use of it (including liability resulting from negligence or where the Group was aware of the possibility of such loss or damage arising) is excluded. This will not operate to limit or restrict the Group's liability for death or personal injury resulting from its negligence. SPC MULTICOMP is the registered trademark of the Group. © Premier Farnell plc 2008.

**TOLERANCES:**

**UNLESS OTHERWISE SPECIFIED, DIMENSIONS ARE FOR REFERENCE PURPOSES ONLY.**

<b>DRAWN BY:</b>	<b>DATE:</b>
Babu	27/02/08
<b>CHECKED BY:</b>	<b>DATE:</b>
Suresh	27/02/08
<b>APPROVED BY:</b>	<b>DATE:</b>
G.Cook	13/03/08

**DRAWING TITLE:**

**Adaptor - HDMI Female to DVI Female**

<b>SIZE</b> A	<b>DWG NO.</b> M10000793	<b>ELECTRONIC FILE</b> 1428273_DWG	<b>REV</b> A
<b>SCALE: NTS</b>		<b>U.O.M.: mm</b>	<b>SHEET: 3 OF 3</b>