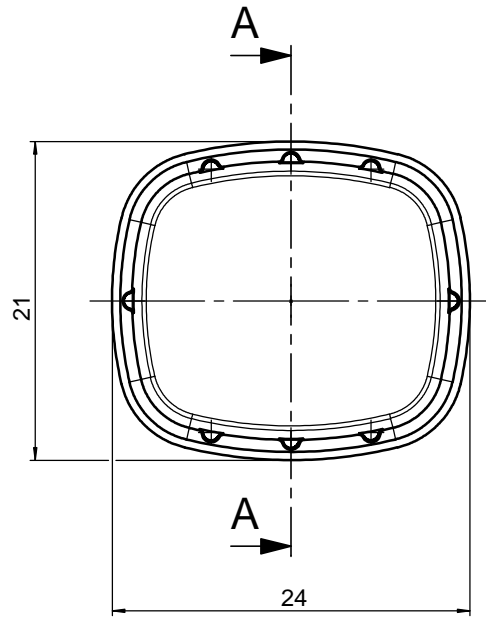
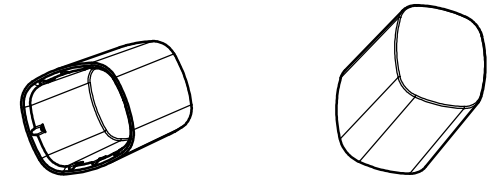
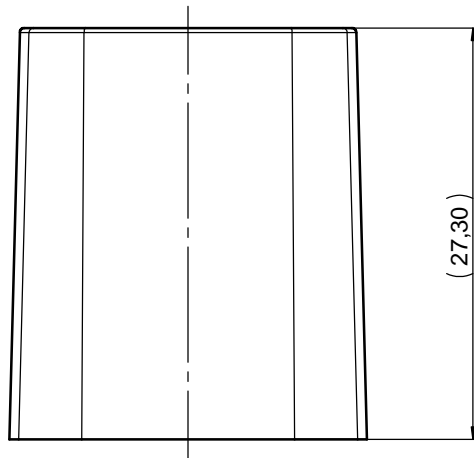
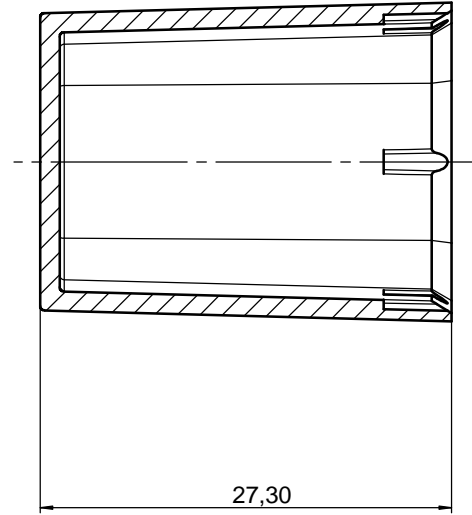


THE INFORMATION CONTAINED IN THIS DRAWING IS THE SOLE PROPERTY OF YAMAICHI ELECTRONICS DEUTSCHLAND GmbH. ANY REPRODUCTION IN PART OR WHOLE WITHOUT THE WRITTEN PERMISSION OF YAMAICHI ELECTRONICS DEUTSCHLAND GmbH IS PROHIBITED.



A-A



MATERIAL: PE transparent		REV.	REVISION DESCRIPTION	INITIALS	REV. DATE
		5			
		4			
		3			
		2			
		1			
DO NOT SCALE DRAWING			CLASSIFICATION: Customer-drawing		
EDGES:	ANGLE:	SHAPE & POSITION:	DESIGN	NAME	DATE
			DRAWN		
			CHECKED		
ANGLE PROJECTION:	First		Q.A.		
			APPROVED		
TITLE: Y-ConAS-21 Cover Housing			DWG NO.: Customer-P(090)P08		
			REV. ORIGIN	REV.	
			A	-	
SHEET 1 OF 1				A3 - PART	

