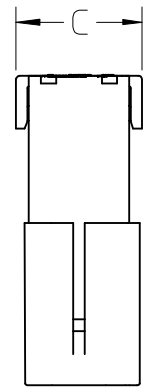
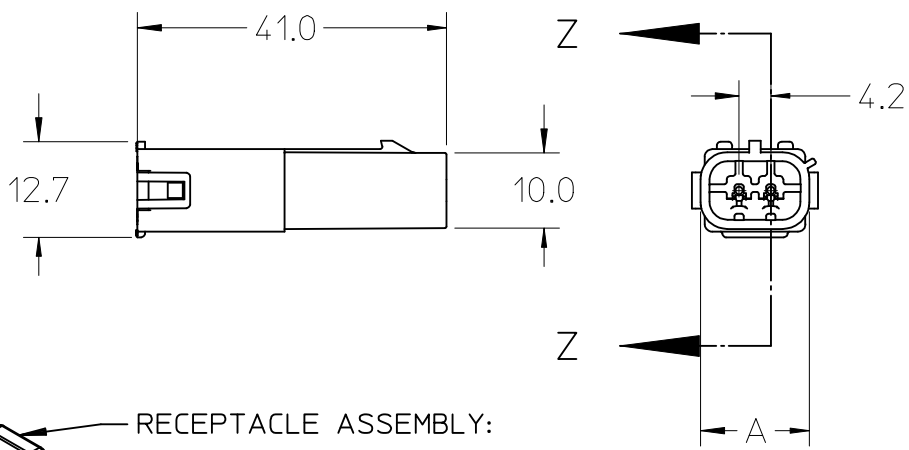


MATERIAL NUMBER	CKT SIZE	INSULATION DIA (MM)	SEAL COLOR	DIM A	DIM C
46065-0032	2	2.52 / 2.81	DARK ORANGE	14.4	16.7
46065-0033	3	2.52 / 2.81	DARK ORANGE	18.6	20.9
46065-0034	4	2.52 / 2.81	DARK ORANGE	22.8	25.1

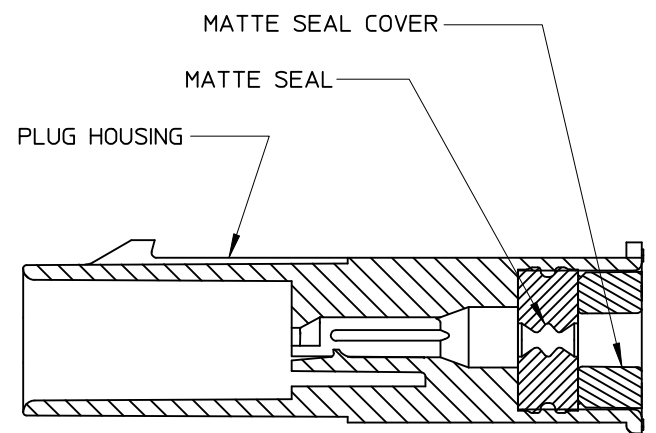


- NOTES:
1. MATERIALS: PLUG HOUSING= POLYESTER: BLACK.  
SEALS: SILICONE RUBBER - SEE CHART.  
COVER: POLYESTER: BLACK
  2. PRODUCT SPECIFICATION: PS-46064-001.
  3. PACKAGING SPECIFICATION: PK-46065-001.
  4. THIS ASSEMBLY ACCEPTS CRIMP TERMINALS:  
46056-0002 (TIN)  
46056-0003 (SELECTIVE GOLD)
  5. SEE SHEET TWO FOR TERMINAL ORIENTATION.
  6. MATES WITH RECEPTACLE ASSEMBLY NUMBER 46064-\*

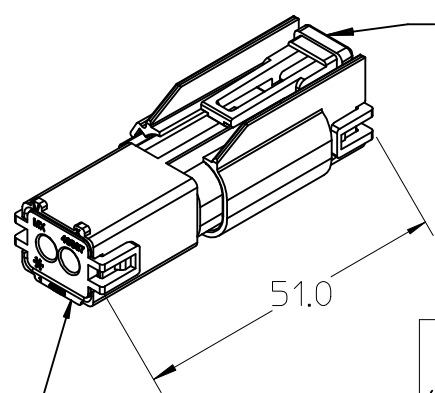
CRIMP ORIENTATION SYMBOL  
SEE SHEET 2



CIRCUIT NO. 1  
IDENTIFICATION



SECTION Z-Z  
SCALE 2:1



RECEPTACLE ASSEMBLY:  
46064-\*

PLUG ASSEMBLY:  
46065-\*

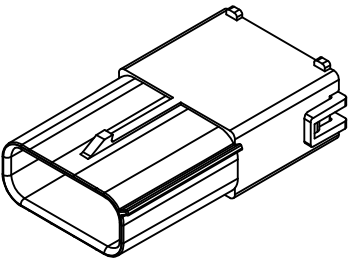
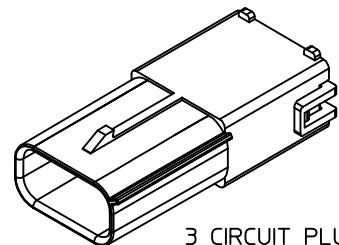
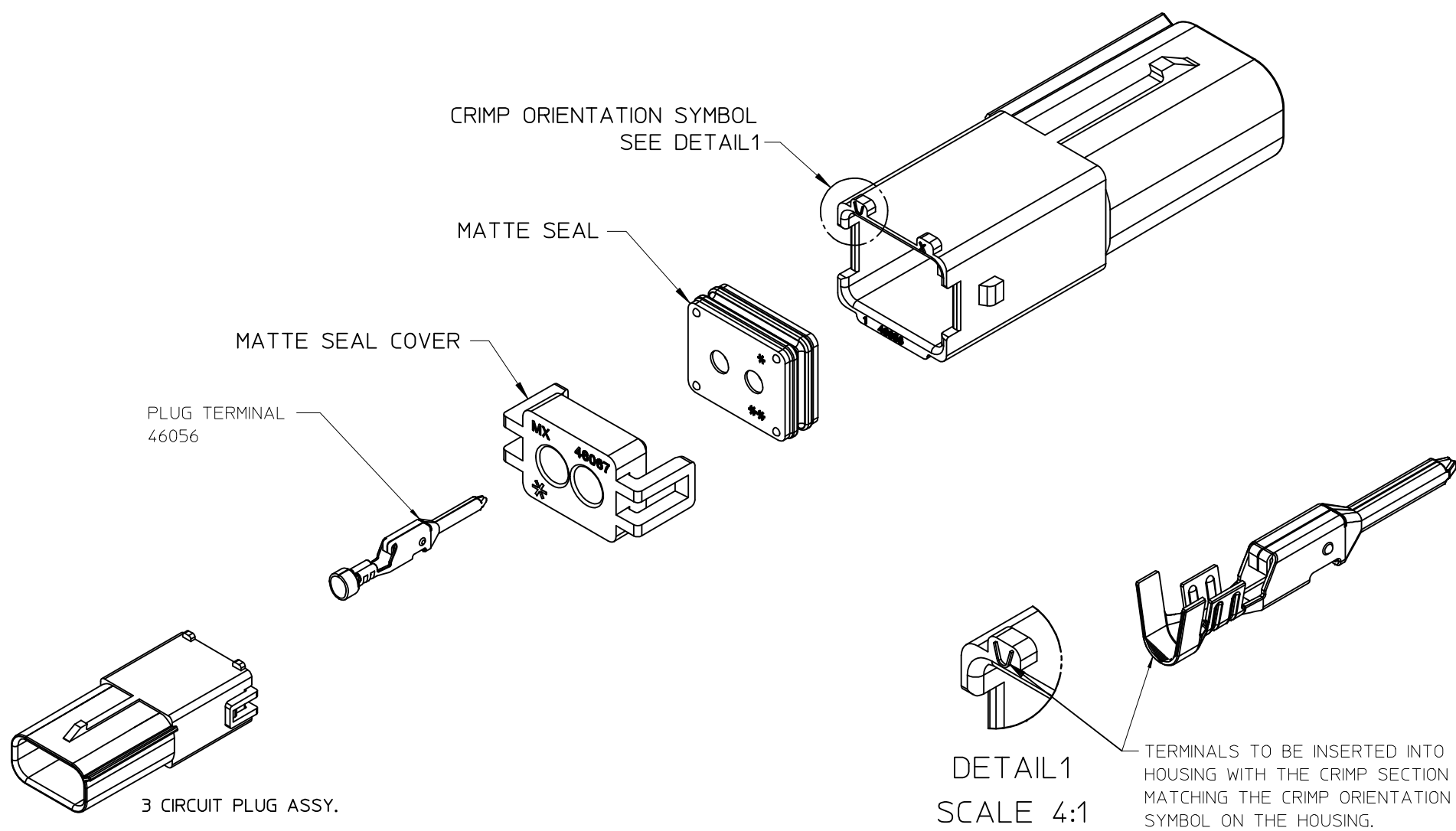
MATED ASSEMBLIES

UPDATED VIEWS	EC NO: UCP2009-2405	2009/03/31	DESCRIPTION
	DRWN:BBWILSON	2009/03/31	
	CHKD:		
	APPR:JCOMERCI	2009/04/01	
REV			

GENERAL TOLERANCES (UNLESS SPECIFIED)	
	mm INCH
4 PLACES	± --- ± ---
3 PLACES	± --- ± ---
2 PLACES	± 0.25 ± ---
1 PLACE	± 0.38 ± ---
ANGULAR ± 1/2°	
DRAFT WHERE APPLICABLE MUST REMAIN WITHIN DIMENSIONS	

DIMENSION STYLE MM ONLY	
DRAWN BY BBWILSON	DATE
CHECKED BY	DATE
APPROVED BY	DATE
MATERIAL NO.	

SCALE 1:1	DESIGN UNITS METRIC	THIRD ANGLE PROJECTION
TITLE SEALED MINIFIT H2O PLUG ASSEMBLY		
molex MOLEX INCORPORATED		
DOCUMENT NO. SD-46065-001	SHEET NO. 1 OF 2	



SEE SHEET 1	DESCRIPTION
EC NO: UCP2009-2405	
DRWN:BBWILSON 2009/03/31	
CHKD: 2009/03/31	
APPR:JCOMERCI 2009/04/01	
REV	

GENERAL TOLERANCES (UNLESS SPECIFIED)		
	mm	INCH
4 PLACES	± ---	± ---
3 PLACES	± ---	± ---
2 PLACES	± 0.25	± ---
1 PLACE	± 0.38	± ---
ANGULAR ±1/2°		
DRAFT WHERE APPLICABLE MUST REMAIN WITHIN DIMENSIONS		

DIMENSION STYLE	
MM ONLY	
DRAWN BY	DATE
BBWILSON	
CHECKED BY	DATE
APPROVED BY	DATE
MATERIAL NO.	SEE CHART
SIZE	A

SCALE	DESIGN UNITS	THIRD ANGLE PROJECTION
1:1	METRIC	
TITLE		
SEALED MINIFIT H20 PLUG ASSEMBLY		
MOLEX INCORPORATED		
DOCUMENT NO.	SHEET NO.	
SD-46065-001	2 OF 2	