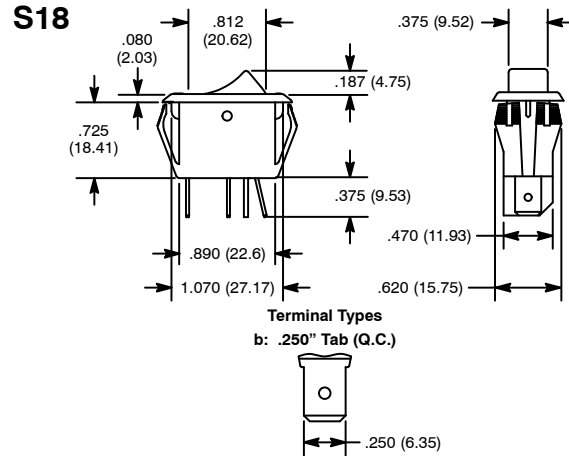
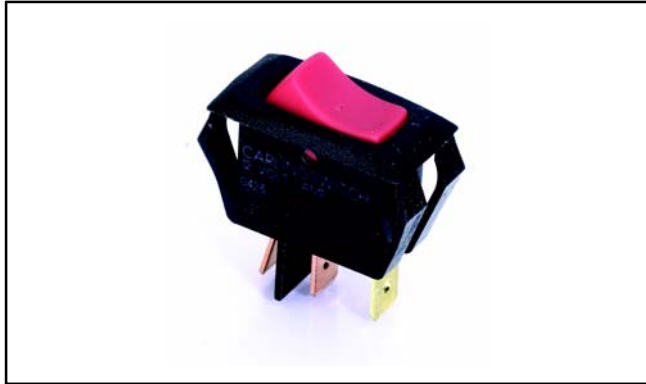


Miniature Snap-In Illuminated Rocker for Low Voltage Applications



Features

- For Low Voltage Applications
- .250" Quick Connect Terminals



Specifications

Current Rating: 10A 12VDC
Lamp Voltage: 12V Incandescent
Insulation Resistance: 100 Megohms (min.)
Dielectric Strength: 1000V RMS (min.)
Temperature Rating: +32° to +185°F (0° to +85°C)
Electrical Life: 100,000 cycles
Mechanical Life: 100,000 cycles
Terminal Type: .250" Tab Q.C.
Mounting Hole: 1.125 (28.58) x .550 (13.97)

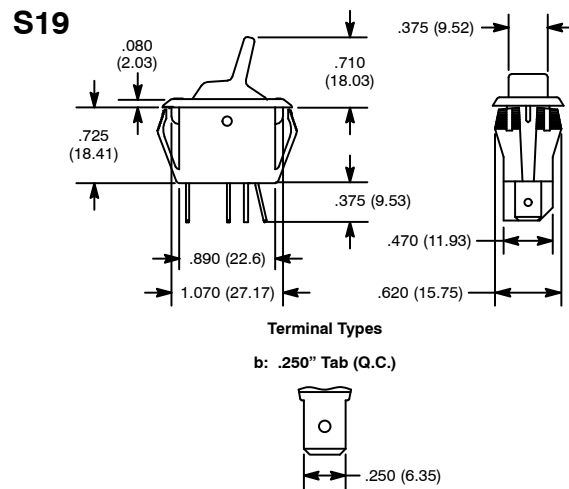
NTE Type No.	Circuitry	Action			Actuator	Lens Color	Diag No.
54-083	SPST	OFF	NONE	ON	Translucent Nylon	Red	S18b
54-086	SPST	OFF	NONE	ON	Clear Nylon	Blue	S18b

Miniature Snap-In Nylon Illuminated Rocker



Features

- Single Pole
- .250" Quick Connect Terminals



Specifications

Current Rating: 16A 125VAC, 10A 250VAC, 10(4)A 250VAC μ
Lamp Voltage: 125V Neon
Insulation Resistance: 100 Megohms (min.)
Dielectric Strength: 1000V RMS (min.)
Temperature Rating: +32° to +185°F (0° to +85°C)
Electrical Life: 100,000 cycles
Mechanical Life: 100,000 cycles
Terminal Type: .250" Tab Q.C.
Mounting Hole: 1.125 (28.58) x .550 (13.97)

NTE Type No.	Circuitry	Action			Actuator	Lens Color	Diag No.
54-105	SPST	OFF	NONE	ON	Translucent Nylon	Amber	S19b
54-106	SPST	OFF	NONE	ON		Red	S19b