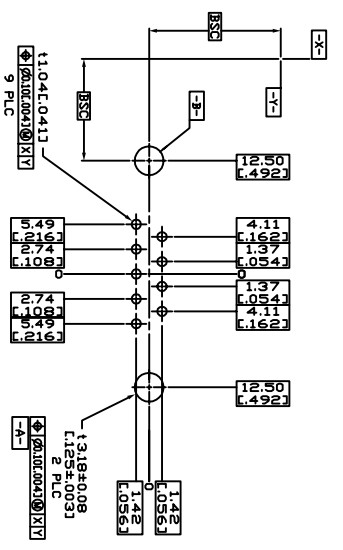


- NOTES:
- MATERIAL: HOUSING: POLYESTER, GLASS FILLED; BLACK. FRONT SHELL: CARBON STEEL. EYELETS: BRASS. CONTACTS: PHOSPHOR BRONZE. BOARDLOCKS: COPPER ALLOY. THREADED INSERTS: ZINC.
 - FINISH: FRONT SHELL: 2.54um [0.00100] MIN, TIN OVER; 1.27um [0.00050] MIN, COPPER; CONTACTS: 0.76um [0.00030] MIN, GOLD FOR A LENGTH OF 3.81 [1.50] MIN, FROM MATING END; 2.54um [0.00100] MIN, TIN FOR A LENGTH OF 3.56 [1.40] MIN, FROM OPPOSITE END, BOTH OVER; 1.27um [0.00050] MIN, NICKEL. BOARDLOCKS: 3.81um [0.00150] MIN, TIN-LEAD OVER; 1.27um [0.00050] MIN, NICKEL. EYELETS: 5.08um [0.00200] MIN, TIN OVER; COPPER FLASH. THREADED INSERTS: CLEAR CHROMATE.
 - SCI, PART NO. AND DATE CODE MARKED APPROX. WHERE SHOWN.
 - DATUMS AND DIMENSIONS TO BE DETERMINED BY CUSTOMER.
 - ELECTRICAL SPECIFICATIONS: CAPACITANCE: 820PF±30% DF: LESS THAN 10% IFR: 500 MEGOHMS MIN. @ 100V DNV: 250V, 5 SECONDS



UNLESS OTHERWISE SPECIFIED DIMENSIONS ARE IN INCHES.	UNLESS OTHERWISE SPECIFIED DIMENSIONS ARE IN INCHES.	2	1	0	CZ 211979	CZ 99191	CZ 99163	CHANGE NOTICE	DD NDT SCALE.	ERIE, FAIRVIEW PENNSYLVANIA
TOLERANCES UNLESS OTHERWISE SPECIFIED	Fractions ± 1/64	Dec. xxx±.02	Dec. xxx±.005	Angles ±0° 30'	DM KAUFFMAN	MTE 12/14/99	9 POS. RPT ASSEMBLY	DR: E. Fleming	Sheet 1 of 1	56-104-005

Quality Products From The Specialists In Electro-Magnetic Compatibility