

ROTATING BEACONS

Luci Rotanti

Feux Tournants

Rundumkennleuchten

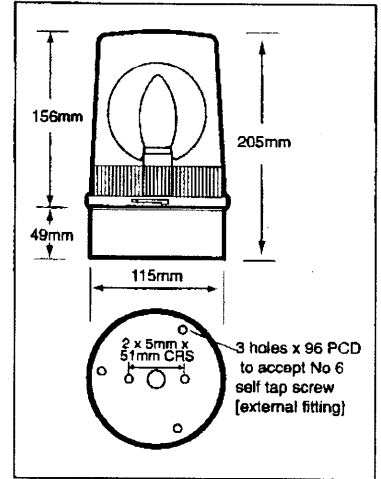
Luces Rotativas

309 9398 = R200-05

ROTATING BEACONS



Code No:	Voltage:	Light Source:	Current:
R201-13	12v Dc --	H1 x 55w	4.70 A
R201-14	24v Dc --	H1 x 70w	3.00 A
R201-29 •	24v Dc ---	Ba 15s x 10w	0.60 A
R201-60	12v Dc --	Ba15d x 21w	1.85 A
R201-61 •	24v Dc --	Ba15d x 21w	0.95 A
R201-62	12v Dc --	Ba15d x 48w	4.00 A
R201-63	24v Dc --	Ba15d x 48w	2.00 A
R201-64	48v Dc --	Ba15d x 25w	0.60 A
R200-03	24v Ac ~	Ba15d x 48w	2.00 A
R200-02	48v Ac ~	Ba15d x 25w	0.55 A
R200-04	115v Ac ~	Ba15d x 60w	0.55 A
R200-05	230v Ac ~	Ba15d x 60w	0.29 A



• diode polarised

01 [] [] 04 05

°C -10+66

IP 65

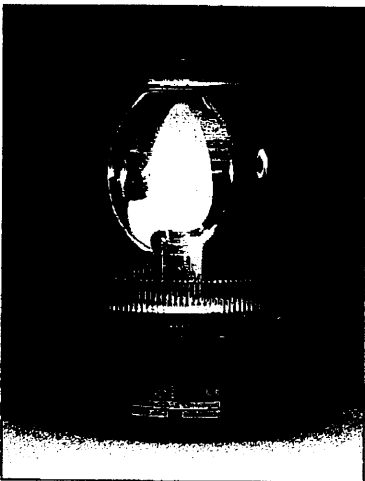


Kg 0.83

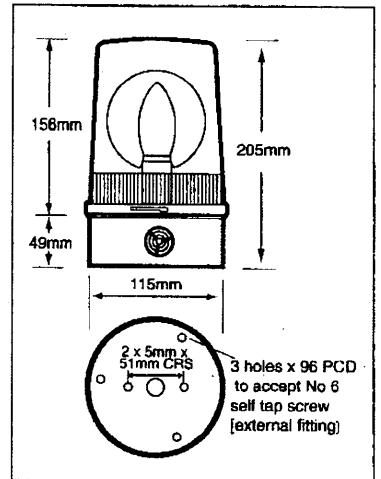
⊙ r.p.m. 160±30DC

⊙ r.p.m. 120AC

ROTATING AUDIBLE BEACONS



Code No:	Voltage:	Light Source:	Current:
RA201-20	12v Dc --	H1 x 55w	4.70 A
RA201-21	24v Dc --	H1 x 70w	3.00 A
RA200-03	24v Ac ~	Ba15d x 48w	2.00 A
RA200-02	48v Ac ~	Ba15d x 25w	0.55 A
RA200-24	115v Ac ~	Ba15d x 60w	0.55 A
RA200-25	230v Ac ~	Ba15d x 60w	0.29 A



01 [] [] 04 05

°C -10+66

IP 65



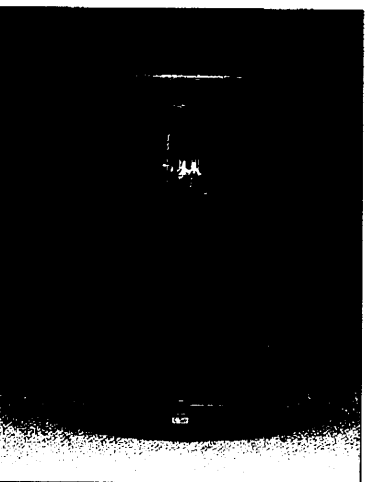
Kg 0.86

⊙ r.p.m. 160±30DC

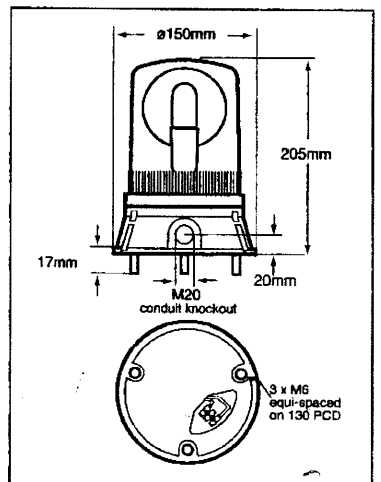
⊙ r.p.m. 120AC

dB 95

ROTATING BEACONS



Code No:	Voltage:	Light Source:	Current:
R301-13	12v Dc --	H1 x 55w	4.70 A
R301-14	24v Dc --	H1 x 70w	3.00 A
R301-60	12v Dc --	Ba15d x 21w	1.85 A
R301-61	24v Dc --	Ba15d x 21w	0.95 A
R301-62	12v Dc --	Ba15d x 48w	4.00 A
R301-63	24v Dc --	Ba15d x 48w	2.00 A
R301-64	48v Dc --	Ba15d x 25w	0.60 A
R300-03	24v Ac ~	Ba15d x 48w	2.00 A
R300-02	48v Ac ~	Ba15d x 25w	0.55 A
R300-04	115v Ac ~	E14 x 40w	0.38 A
R300-05	230v Ac ~	E14 x 40w	0.20 A



01 [] [] 04 05

°C -10+66

IP 65



Kg 0.98

⊙ r.p.m. 160±30DC

⊙ r.p.m. 120AC