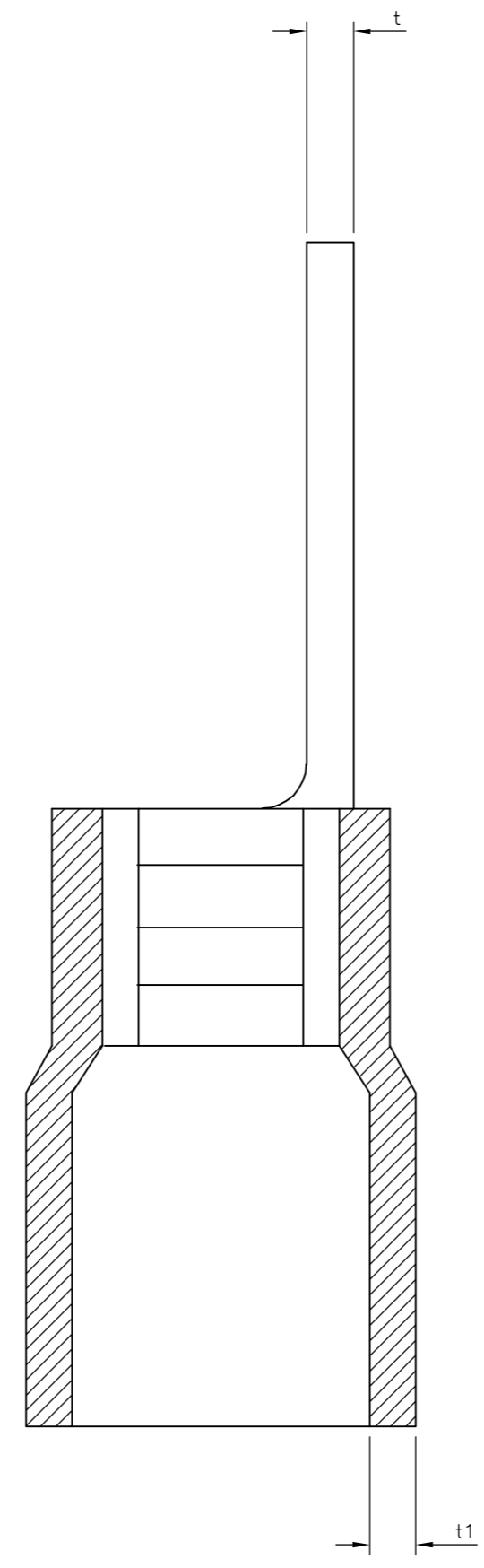
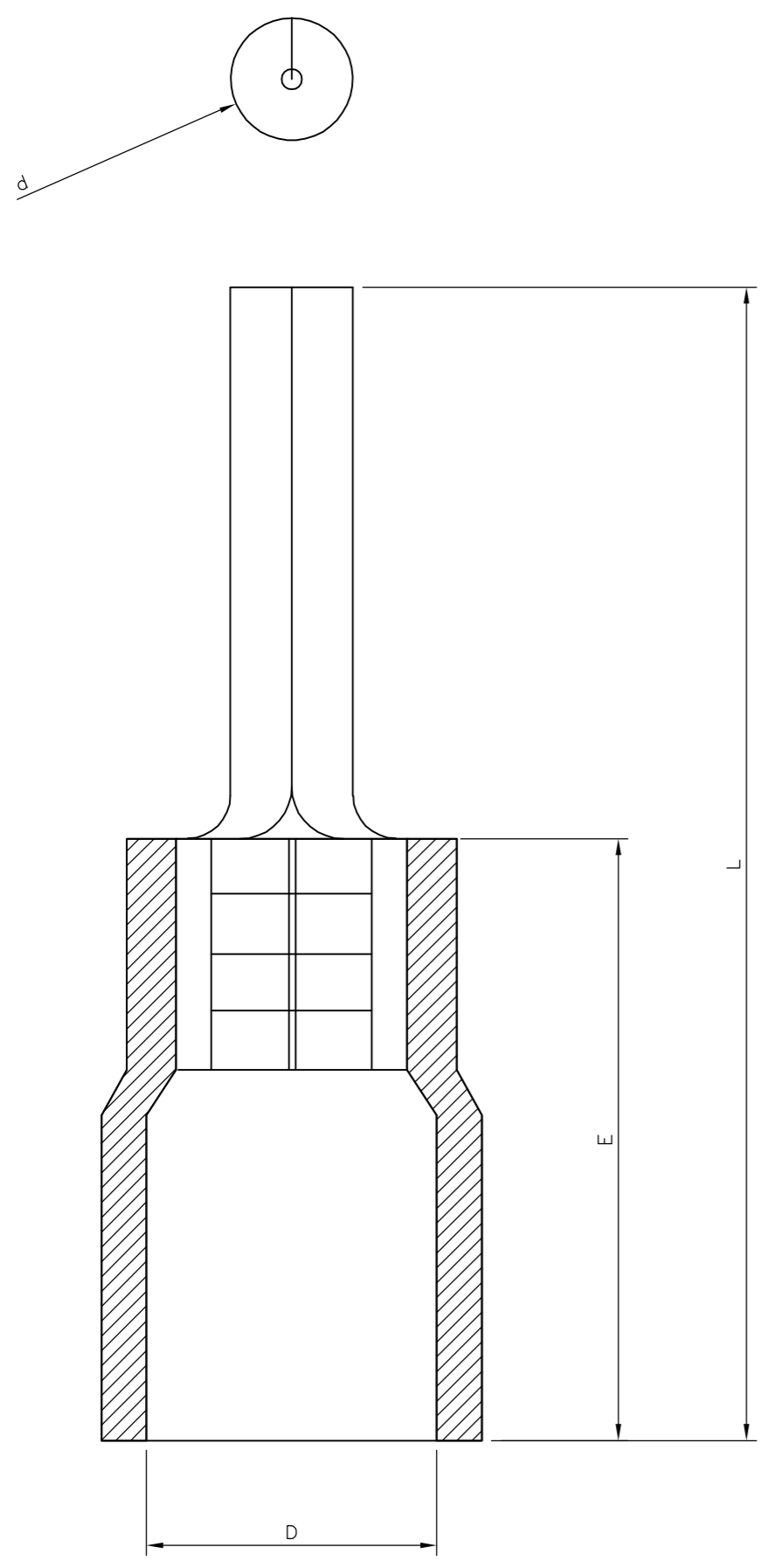


THIS DRAWING IS UNPUBLISHED. RELEASED FOR PUBLICATION 26AUG ,2005.  
 © COPYRIGHT 2005 BY TYCO ELECTRONICS CORPORATION. ALL RIGHTS RESERVED.

Loc		DIST		REVISIONS			
P	LTR	DESCRIPTION		DATE	DWN	APVD	
	A	FIRST ISSUE		26AUG05	KR	FWK	



- NOTES:
- FOR TECHNICAL DATA REFER TO YOUR LOCAL TYCO ELECTRONICS SALES OFFICE.
  - ALL DIMENSIONS ARE NOMINAL FOR REFERENCE ONLY UNLESS OTHERWISE STATED.
  - FOR PACKAGING DETAILS SEE SHEET 2.
  - UL NUMBER E13288
  - MATERIAL: BODY - COPPER  
SLEEVE - PVC (K65), 94V-0
  - APPLICATION SPEC 114-13196

2-1838198-0	2.5mmsq-6.0mmsq / 12-10 (AWG)	2.7x13.5mm STANDARD ENTRY	YELLOW PIN TERMINAL (INSULATED)	1500	500	2.70	27.50	6.70	14.00	1.00	0.80	2.5mmsq-6.0mmsq 12-10(AWG)	2.70	YELLOW PIN TERMINAL (INSULATED)	2-1838198-0
1-1838198-0				1750	50										1-1838198-0
STOCK NUMBER	PACKING LABEL DESCRIPTION LINE 3	PACKING LABEL DESCRIPTION LINE 2	PACKING LABEL DESCRIPTION LINE 1	INNER CARTON QTY	QTY	DIMENSIONS					WIRE SIZE (mmsq) & (AWG)	PIN DIA (mm)	DESCRIPTION	PART No	
						d (±0.30)	L (±1.50)	D (±0.50)	E (±1.50)	t (±0.10)	t1 (±0.20)				

THIS DRAWING IS A CONTROLLED DOCUMENT.

DWN	26AUG05	K.Raghunandan
CHK	03/04/07	S. Parlow
APVD	03/04/07	F. Wheeler-King
PRODUCT SPEC		
APPLICATION SPEC		
WEIGHT		
CUSTOMER DRAWING		

**tyco Electronics** Tyco Electronics Corporation  
Bideford, UK, EX39 4HE

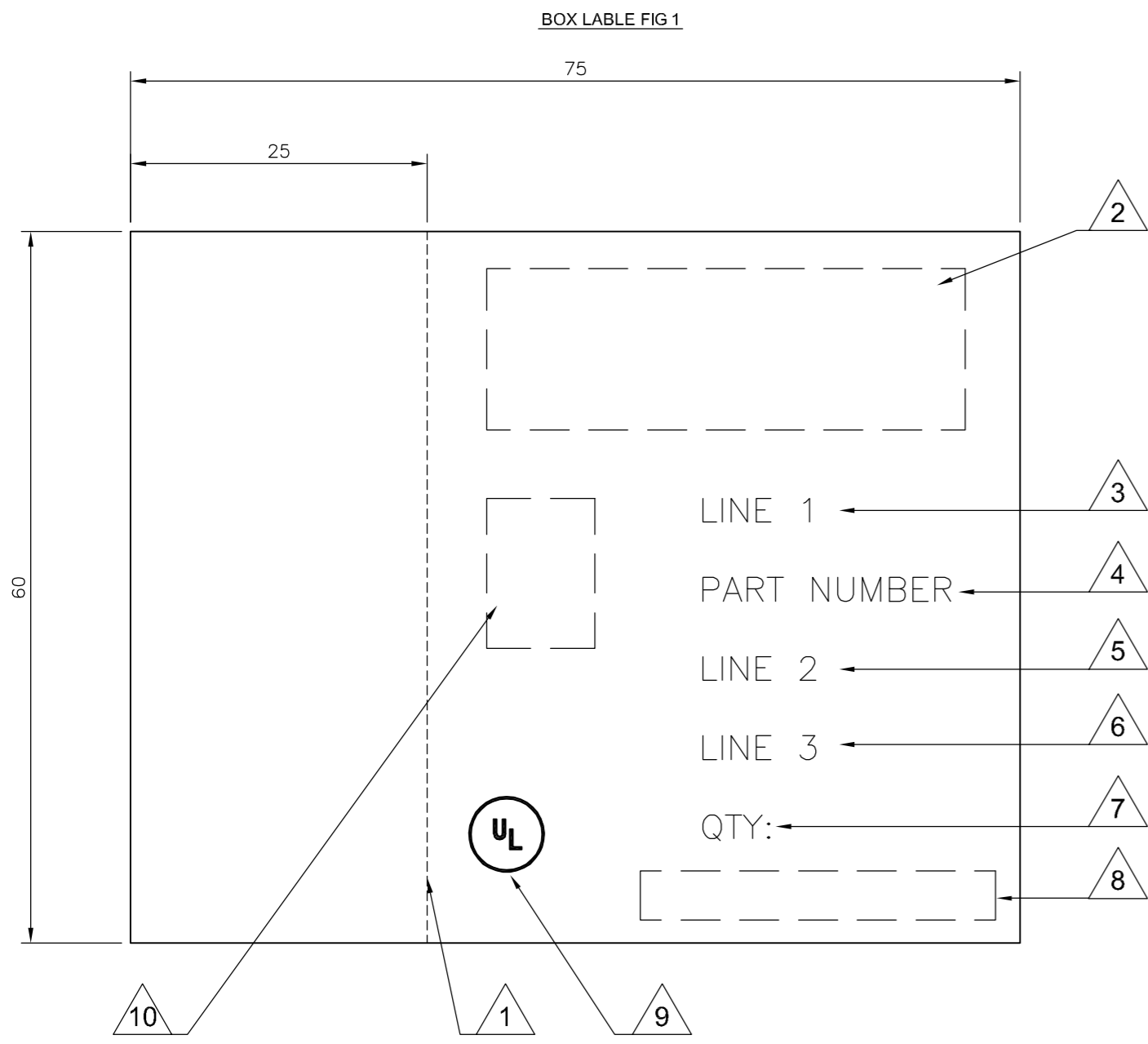
NAME: EURO-CRIMP INSULATED YELLOW PIN TERMINAL  
2.5mmsq-6.0mmsq / 12-10 AWG RANGE

SIZE	CAGE CODE	DRAWING NO	RESTRICTED TO
A2	00779	C=1838198	-
SCALE	NTS	SHEET 1 OF 2	REV A

1838198

THIS DRAWING IS UNPUBLISHED. RELEASED FOR PUBLICATION 26AUG ,2005.  
 © COPYRIGHT 2005 BY TYCO ELECTRONICS CORPORATION. ALL RIGHTS RESERVED.

LOC		DIST		REVISIONS			
P	LTR	DESCRIPTION	DATE	DWN	APVD		
-	-	SEE SHEET 1	-	-	-		



- LABEL NOTES:**
- 1. PERFORATED LINE: DOTTED LINE TO BE ALIGNED WITH OPENING EDGE & FOLDED TO LEFT SIDE OF BOX.
  - 2. LOGO: USE LATEST REVISION OF TYCO COMPANY LOGO.
  - 3. LINE 1: SEE SHEET 1, USE TEXT FROM COLUMN PACKAGING LABEL DESCRIPTION LINE 1.
  - 4. PART NUMBER: FOR 1--0 & 2--0 USE TYCO PART NUMBER.  
1--0 = 1-1838198-0  
2--0 = 2-1838198-0
  - 5. LINE 2: SEE SHEET 1, USE TEXT FROM COLUMN PACKAGING LABEL DESCRIPTION LINE 2.
  - 6. LINE 3: SEE SHEET 1, USE TEXT FROM COLUMN PACKAGING LABEL DESCRIPTION LINE 3.
  - 7. QTY: SEE SHEET 1, USE NUMBER FROM THE COLUMN QTY.
  - 8. EAN BARCODE: USE LATEST TYCO BARCODE SUPPLIED.  
1--0 = TYCO BARCODE  
2--0 = TYCO BARCODE
  - 9. UL: WHERE APPLICABLE USE UL LOGO, SEE SHEET 1.
  - 10. PRODUCT PICTURE: A PRODUCT PICTURE IS REQUIRED.

- BOX NOTES:**
- 1. EURO SLOT: TO BE POSITIONED TO CENTRE ON FRONT COVER.
  - 2. BOX HINGE: FRONT COVER TO BE HINGED ON RIGHT SIDE.
  - 3. SPECIFICATION: COVER TO BE FREE FROM POSSIBLE WARPING & CAPABLE OF BEING RE-SEALED MIN 100 TIMES.
  - 4. LABEL: CORRECT CUSTOMER BOX LABEL TO BE POSITIONED ON THE FRONT COVER WITH THE PERFORATED EDGE ON THE LEFT HAND SIDE.

- PACK SPECIFICATION:**
- 1. CLEAR PLASTIC BOX: PART NUMBER 1--0 TO BE PACKED 50 PARTS PER CLEAR PLASTIC BOX (FIG2) WITH THE CORRECT CUSTOMER LABEL (FIG1), 35 CLEAR PLASTIC BOXES OF THE SAME PART NUMBER ARE TO BE PACKED INTO A SUITABLE INNER CARTON BOX.
  - 2. CLEAR PLASTIC BAG: PART NUMBER 2--0, USE A SUITABLE CLEAR PLASTIC BAG FOR 500 PARTS, POSITION AN APPROPRIATE LABEL AS IN FIG1 BUT WITHOUT THE PERFORATED SIDE, CENTRE OF BAG. 3 BAGS ARE THEN TO BE PACKED INTO A SUITABLE INNER CARTON BOX.
  - 3. INNER CARTON LABEL: LABEL AS PER CLEAR PLASTIC BAG NOTE 2 BUT WITH INNER CARTON QTY 1500 TO BE POSITIONED ON THE SIDE OF THE BOX FOR VIEWING WHEN STORED.

THIS DRAWING IS A CONTROLLED DOCUMENT.		DWN K.Raghuandan 26AUG05	Tyco Electronics Corporation Bideford, UK, EX39 4HE
DIMENSIONS: mm		CHK S. Parlow 03/04/07	
TOLERANCES UNLESS OTHERWISE SPECIFIED:		APVD F. Wheeler-King 03/04/07	NAME EURO-CRIMP INSULATED YELLOW PIN TERMINAL 2.5mmsq-6.0mmsq / 12-10 AWG RANGE
		PRODUCT SPEC -	SIZE A2
MATERIAL -		FINISH -	CAGE CODE 00779
		WEIGHT -	DRAWING NO C=1838198
		CUSTOMER DRAWING	RESTRICTED TO -
		SCALE NTS	SHEET 2 OF 2
		REV A	

1838198