

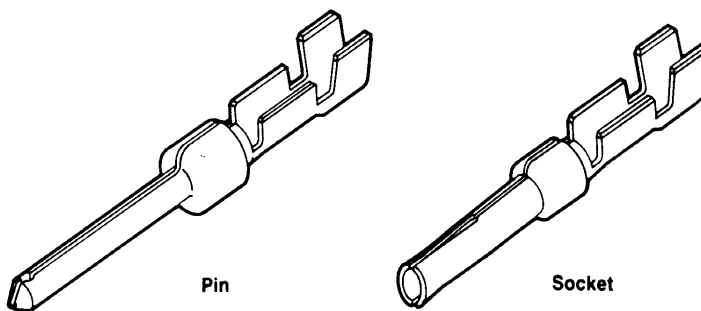
**HDP-20 Connector Contacts,  
Precision Formed**

Specifications subject to change.  
For latest design specifications...  
1-800-522-6752

Dimensioning:  
Dimensions are in inches

**Crimp Snap-In  
Contacts**

With Insulation Support



**Contact Size 20 DF  
Pin Diameter .040**

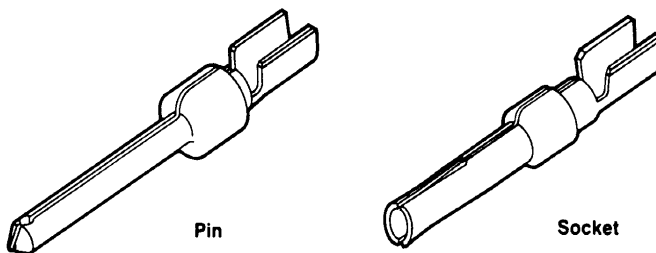
**Material and Finish:**

- Pin**—Brass
- Socket**—Phosphor bronze
- Plated:**
  - A**—Select—Gold flash over nickel on entire contact, with additional .00030 gold on mating end
  - B**—Duplex—.00030 gold on mating end, tin-lead on termination end, with entire contact nickel underplated
  - C**—Gold flash over nickel on entire contact
  - D**—Duplex—Gold flash on mating end, tin-lead on termination end, with entire contact nickel underplated
  - E**—Duplex—Gold flash on mating end, tin-lead on termination end, with entire contact nickel underplated (Short Point of Contact (S.P.O.C.))

Wire Size Range AWG	Ins. Dia. Max.	Contact Finish (Plating Code)	Contact Part Numbers				Tooling		Color Code (Loose Form)
			Pin		Socket		Strip Form Quick-Change Applicator	Loose Form Hand Tool	
			Strip Form	Loose Form	Strip Form	Loose Form			
28-24	.040	A	66507-3	66507-9	66505-3	66505-9	466423-1* 466423-2* 466901-1**	90302-1	Blue Dot
		B	3-66507-0	5-66507-7	6-66505-0	6-66505-2			
		C	66507-4	1-66507-0	66505-4	1-66505-0			
		D	3-66507-1	5-66507-9	5-66505-7	5-66505-9			
26-22	.060	A	66682-2	66682-4	66683-2	66683-4	466758-1* 466758-2* 466963-1**	90374-1	Black Dot
		B	66682-9	1-66682-1	1-66683-0	1-66683-2			
		C	66682-6	66682-8	66683-7	66683-9			
		D	745254-2	745254-6	745253-2	745253-6			
24-20	.050	B	1-745254-4	1-745254-6	1-745253-4	1-745253-6	567036-1* 567036-2*	90406-1	Yellow Dot
		C	745254-3	745254-7	745253-3	745253-7			
		D	1-745254-1	1-745254-3	1-745253-1	1-745253-3			
		A	66506-3	66506-9	66504-3	66504-9			
24-20	.060	B	2-66506-4	5-66506-7	5-66504-9	6-66504-0	466422-1* 466422-2* 466900-1**	90302-1	Red Dot
		C	66506-4	1-66506-0	66504-4	1-66504-0			
		D	2-66506-5	5-66506-9	5-66504-6	5-66504-7			
		E	—	—	748321-2	748321-6			

\*Quick-Change Applicator Part No. with -1 is for a "T" terminating unit used in automatic machines; -2 is for "K" AMP-O-LECTRIC bench machine, shown on page 2198.  
\*\* These applicators are for use in the AMP-O-MATIC Stripper/Crimper machine, shown on page 2199.  
Note: Maintenance and Repair Tool for Wire Size 28-24 (Ins. Dia. Max. .040) and Wire Size 24-20 (Ins. Dia. Max. .060)—No. 90312-1 & PRO-CRIMPER Hand Tool Part Number 58448-2.

Without Insulation Support



**Insertion/Extraction Tool  
No. 91285-1**

This tool includes interchangeable tips to Insert/Extract:  
Size 22, 28-22 AWG Crimp Contacts  
Size 20, 28-20 AWG Crimp and Solder Cup Contacts  
Size 20, Posted Contacts

Wire Size Range AWG	Ins. Dia. Max.	Contact Finish (Plating Code)	Contact Part Numbers				Tooling		Color Code (Loose Form)
			Pin		Socket		Strip Form Quick-Change Applicator	Loose Form Hand Tool	
			Strip Form	Loose Form	Strip Form	Loose Form			
28-24	.068	A	205310-2	205310-8	205311-3	205311-9	466506-1* 466506-2* 466903-1**	90265-1	Blue Dot
		B	2-205310-5	2-205310-7	2-205311-1	2-205311-3			
		C	205310-4	1-205310-0	205311-4	1-205311-0			
		D	2-205310-2	2-205310-4	1-205311-8	2-205311-0			
24-20	.068	A	205202-2	205202-4	205201-3	205201-5	466505-1* 466505-2* 466902-1**	90265-1	Red Dot
		B	2-205202-5	2-205202-7	2-205201-5	2-205201-7			
		C	205202-6	205202-7	205201-6	205201-7			
		D	2-205202-2	2-205202-4	2-205201-2	2-205201-4			
22-18	.068	A	745229-2	745229-4	745230-2	745230-4	567033-1* 567033-2*	90405-1	Green Dot
		B	1-745229-1	1-745229-3	1-745230-1	1-745230-3			
		C	745229-5	745229-7	745230-5	745230-7			
		D	745229-8	1-745229-0	745230-8	1-745230-0			

\*Quick-Change Applicator Part No. with -1 is for a "T" terminating unit used in automatic machines; -2 is for "K" AMP-O-LECTRIC bench machine, shown on page 2198.  
\*\* These applicators are for use in the AMP-O-MATIC Stripper/Crimper machine, shown on page 2199.  
Note: Wire insulation diameter is limited by the connector housing cavity and clearance for the insertion/extraction tool.

**2**  
Pin and Socket Connectors