



**MICRO SWITCH**

FREEPORT, ILLINOIS, U.S.A.  
A DIVISION OF HONEYWELL

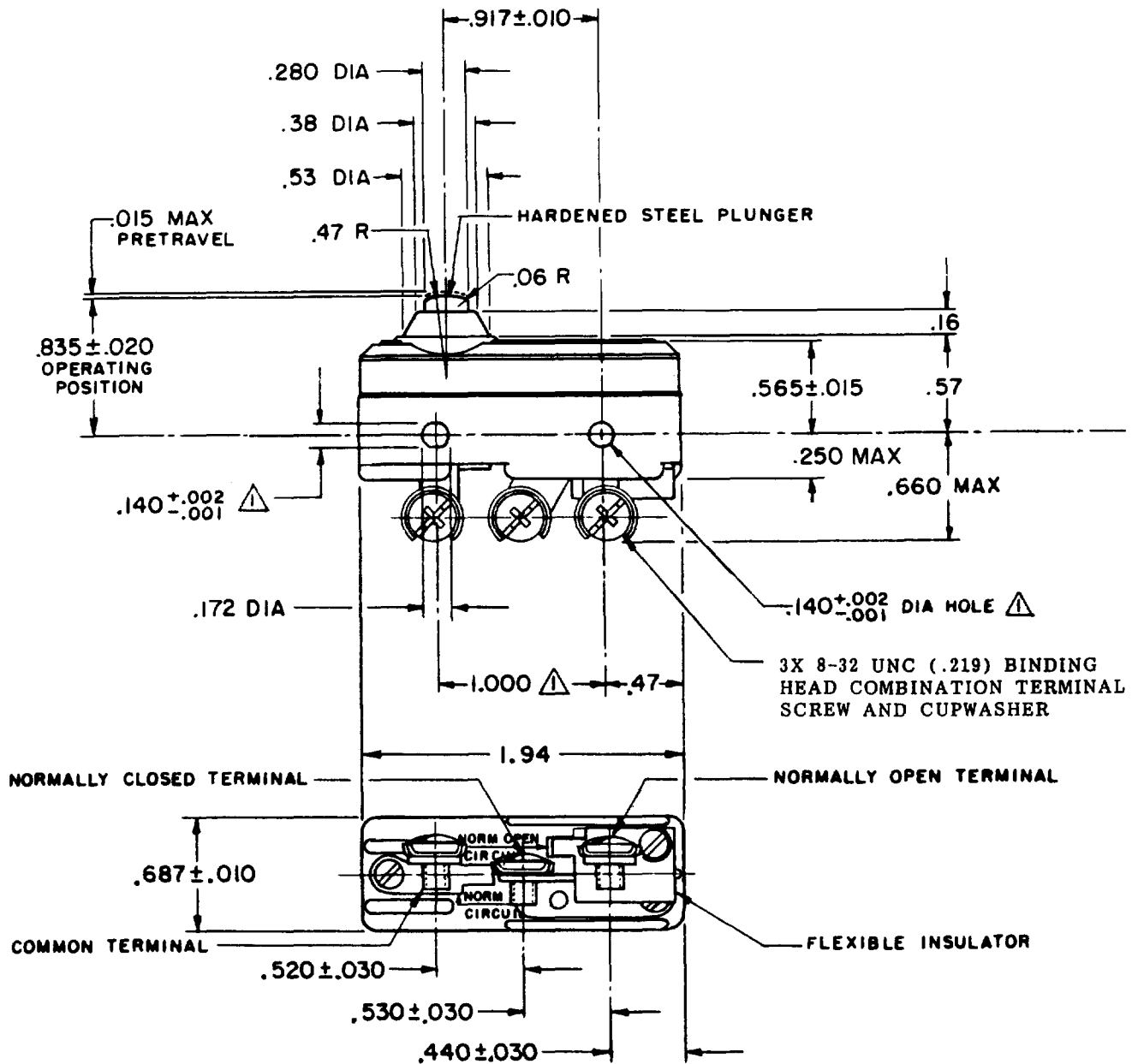
FED. MFG. CODE 91929

# SWITCH - BASIC

CATALOG LISTING

## BZ - 2RD - P1

### AHD3000



**NOTE**  
 ▲ - MOUNTING HOLES WILL ACCEPT PINS OR SCREWS OF .139 MAX DIA ON 1.000 ± .002 CENTERS

THIS DRAWING COVERS A PROPRIETARY ITEM AND IS THE PROPERTY OF MICRO SWITCH, A DIVISION OF MINNEAPOLIS-HONEYWELL REGULATOR CO. THIS DRAWING IS NOT TO BE COPIED OR USED WITHOUT THE APPROVAL OF MICRO SWITCH.

CHARACTERISTICS	ELECTRICAL DATA	SCALE FULL
OPERATING FORCE ----- 9 - 13 OZ	CONTACT ARRANGEMENT S P D T	DO NOT SCALE PRINT
RELEASE FORCE ----- 4 OZ MIN	15A-125, 250 OR 480 VAC, 2A-600 VAC -L74- 1/8HP-125 VAC; 1/4HP-250 VAC 1/2A-125 VDC; 1/4A-250 VDC	UNLESS OTHERWISE NOTED DIMENSIONS ARE IN INCHES
DIFFERENTIAL TRAVEL ----- .0004 - .0020	-L288- -L315- -L306-	<b>TOLERANCES ARE:</b> ONE PLACE (.0) ± .030 TWO PLACE (.00) ± .015 THREE PLACE (.000) ± .005 ANGLES ±
OVERTRAVEL ----- .060 MIN	16A 250V ~ T85 5E4	WEIGHT .076 LB

**M BZ - 2RD - P1**  
 PAGE 1 OF 1  
 DRAWING NUMBER  
 ISSUE 10  
 REVISIONS  
 A CO17410 8 CH 22 APRIL 63  
 B CO31863 S R H 27 MAR 73  
 C CO 58037 S R H 1 OCT 85  
 D CO-73287-G J A L 20 OCT 93  
 E CO-77591 DAW 22 JUN 94  
 F CO93346 D L T 1 SEP 98  
 G CO-94212-C D L T 14 SEP 99  
 H 0018448 DVM 17 FEB 06  
 FORMTEK FO-50378  
 DRAWN G C H 22 APRIL 63  
 CHECK L.S.D 14 JUN 63  
 CHECK 17 FEB 06  
 CHECK RJ  
 CHECK  
 REPLACES  
 RELEASE NO.