

6

5

4

3

2

1

D

C

B

A

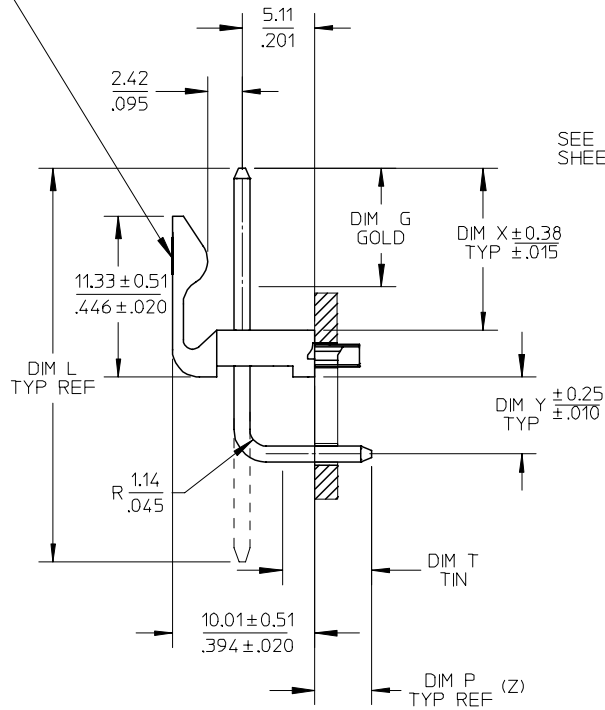
D

C

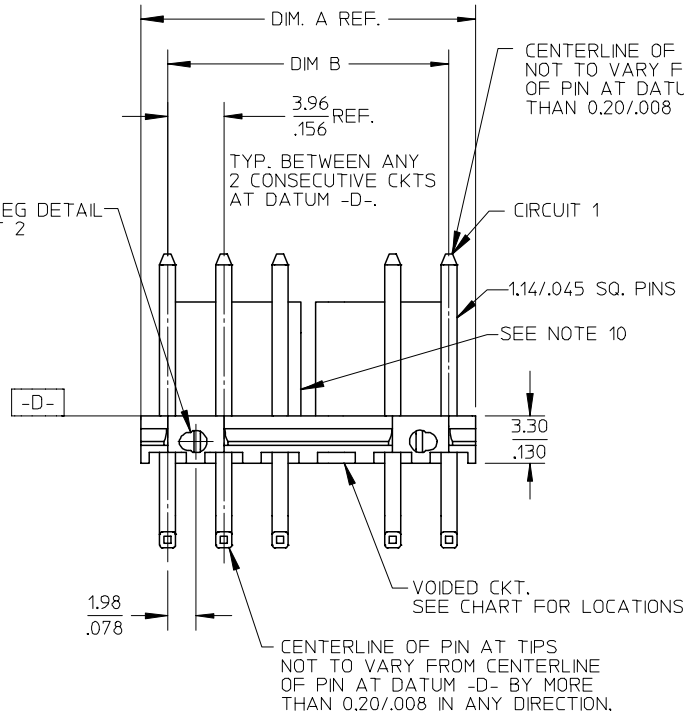
B

A

OPTIONAL COLOR STRIPE
TO RUN ALONG BACK WALL



SEE PEG DETAIL
SHEET 2



NO. OF CKTS.	DIM. A	DIM. B	SLOT LOC BETWEEN CKTS
2	7.77 .306	3.96 ± 0.05 .156 ± .002	NONE
3	11.73 .462	7.92 ± 0.08 .312 ± .003	NONE
4	15.70 .618	11.89 ± 0.08 .468 ± .003	NONE
5	19.66 .774	15.85 ± 0.10 .624 ± .004	NONE
6	23.62 .930	19.81 ± 0.10 .780 ± .004	3 & 4
7	27.58 1.086	23.77 ± 0.10 .936 ± .004	4 & 5
8	31.55 1.242	27.74 ± 0.13 1.092 ± .005	4 & 5
9	35.51 1.398	31.70 ± 0.13 1.248 ± .005	5 & 6
10	39.47 1.554	35.66 ± 0.13 1.404 ± .005	5 & 6
11	43.43 1.710	39.62 ± 0.15 1.560 ± .006	6 & 7
12	47.40 1.866	43.59 ± 0.15 1.716 ± .006	4 & 5 8 & 9

UPDATE NOTES	DESCRIPTION
EC NO: UCP2008-0727	
DRWN:ADERR 2007/10/05	
CHKD:ADERR 2007/10/05	
APPR:FSMITH 2007/10/08	
G2	REV

QUALITY SYMBOLS
▽=0
▽=0

GENERAL TOLERANCES (UNLESS SPECIFIED)	DIMENSION STYLE MM/IN	
4 PLACES ± --- ± ---	mm	INCH
3 PLACES ± --- ± .010		
2 PLACES ± 0.25 ± .015		
1 PLACE ± 0.38 ± ---		
ANGULAR ± 1/2°		
DRAFT WHERE APPLICABLE MUST REMAIN WITHIN DIMENSIONS		

DRAWN BY	DATE
SCHAFFER	12-12-03
CHECKED BY	DATE
SAMIEC	12-15-03
APPROVED BY	DATE
MARGULIS	12-19-03
MATERIAL NO.	SEE CHART
SIZE	A

SCALE	DESIGN UNITS	THIRD ANGLE PROJECTION
2:1	INCH	☉
TITLE		
FRICTION LOCK HDR. ASSY. .156 BENT SQ PINS W/PEGS RT. ANGLE MOUNT		
MOLEX INCORPORATED		
DOCUMENT NO.	SHEET NO.	
SD-42892-001	1 OF 2	
THIS DRAWING CONTAINS INFORMATION THAT IS PROPRIETARY TO MOLEX INCORPORATED AND SHOULD NOT BE USED WITHOUT WRITTEN PERMISSION		

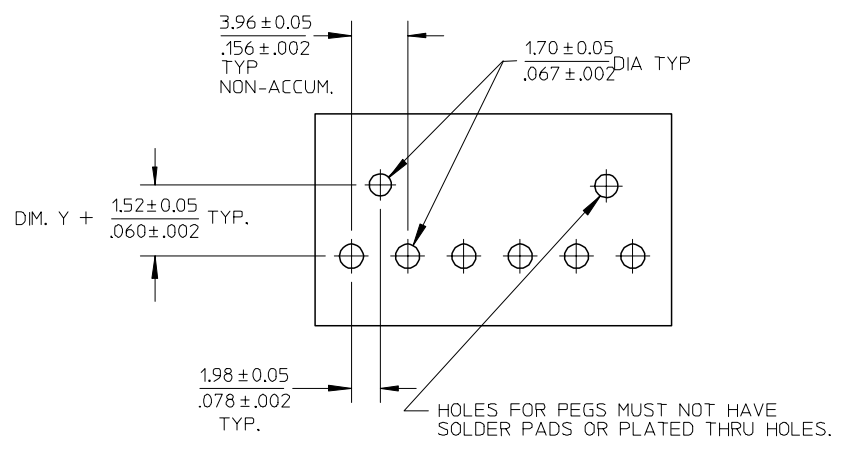
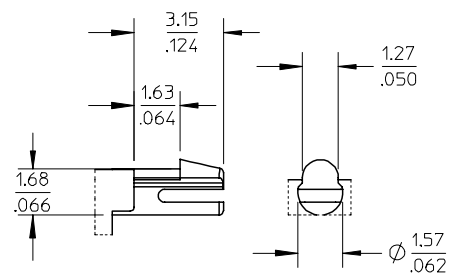
5

4

3

2

1



- NOTES:
- MATERIAL: HEADER-GLASS FILLED POLYESTER, 94V-0, MOLDED NATURAL WHITE
PINS: BRASS
 - FINISHES: (102) OVERALL TIN: 0.00508/.000200 OVER 0.00254/.000100 COPPER
(208) SELECT GOLD: 0.00038/.000015
*SELECT TIN: 0.00254/.000100
OVERALL NICKEL UNDERPLATE: 0.00127/.000050
(228) SELECT GOLD: 0.00076/.000030
*SELECT TIN: 0.00254/.000100
OVERALL NICKEL UNDERPLATE: 0.00127/.000050
(501) OVERALL GOLD: 0.00051/.000020
OVERALL NICKEL UNDERPLATE: 0.00076/.000030
 - PRODUCT SPECIFICATION: SEE PS-08-50.
 - PACKAGING INFO: SEE TABLES
 - SOLDERABILITY: PER SMES-152
 - PIN PUSH OUT FORCE: PRIOR TO SOLDERING, A 3 LB MINIMUM FORCE (IN EITHER DIRECTION) SHALL BE REQUIRED TO PUSH THE PIN OUT OF THE HEADER.
 - PARTS ARE STACKABLE END TO END ON (3.96)/.156 CENTERS.
 - FOR PART WITHOUT PEGS SEE DWG. NO. SDA-41792.
 - THIS PART CONFORMS TO CLASS B REQUIREMENTS OF COSMETIC SPECIFICATION PS-45499-002.
 - SLOTS ON BACKWALL ARE BETWEEN CIRCUITS. SEE CHART FOR LOCATION.

RECOMMENDED PC BOARD HOLE LAYOUT:
COMPONENT SIDE FOR .157/.062 THICK PCB

FOR CORRECT ORIENTATION OF PARTS WITH VOIDS, ELIMINATE CORRESPONDING PCB HOLE.

ADD NOTE 10 EC NO: UCP2008-0727 DRWN:ADERR 2007/10/05 CHKD:ADERR 2007/10/05 APPR:FSMITH 2007/10/08 G2	QUALITY SYMBOLS =0 =0	GENERAL TOLERANCES (UNLESS SPECIFIED)		DIMENSION STYLE		SCALE	DESIGN UNITS	THIRD ANGLE PROJECTION	
				MM/IN		2:1	INCH		
		4 PLACES	\pm ---	\pm ---	DRAWN BY	DATE	TITLE		
		3 PLACES	\pm ---	$\pm .010$	SCHAFFER	12-12-03	FRICTION LOCK HDR. ASSY. .156 BENT SQ PINS W/PEGS RT. ANGLE MOUNT		
2 PLACES	± 0.25	$\pm .015$	CHECKED BY	DATE	MOLEX INCORPORATED				
1 PLACE	± 0.38	\pm ---	SAMIEC	12-15-03	MATERIAL NO.				
ANGULAR $\pm 1/2^\circ$		DRAFT WHERE APPLICABLE MUST REMAIN WITHIN DIMENSIONS		APPROVED BY		DOCUMENT NO.	SHEET NO.		
				MARGULIS		SD-42892-001	2 OF 2		
				SEE CHART		THIS DRAWING CONTAINS INFORMATION THAT IS PROPRIETARY TO MOLEX INCORPORATED AND SHOULD NOT BE USED WITHOUT WRITTEN PERMISSION			

OPTIONS	Group	A-42892-0002/0018	Group	A-42892-0080/0096	Group	A-42892-0097/0113	Group	A-42892-0019/0035
	Header No:	41790-0070/0086	Header No:	41790-0070/0086	Header No:	41790-0070/0086	Header No:	41790-0070/0086
	Pin No:	2161-62(102)	Pin No:	43294-0452	Pin No:	43290-0453	Pin No:	2161-62(501)
	Plating:	102	Plating:	208	Plating:	228	Plating:	501
	Pin Length L	24.89/ .980	Pin Length L	24.89/ .980	Pin Length L	24.89/ .980	Pin Length L	24.89/ .980
	Mating M	11.43/ .450	Mating M	11.43/ .450	Mating M	11.43/ .450	Mating M	11.43/.450
	Gold Loc G	N/A	Gold Loc G	6.86/ .270	Gold Loc G	6.86/ .270	Gold Loc G	OVERALL
	Dim. Y	2.82/ .111	Dim. Y	2.82/ .111	Dim. Y	2.82/ .111	Dim. Y	2.82/ .111
	PC Tail P	3.30/ .130	PC Tail P	3.30/ .130	PC Tail P	3.30/ .130	PC Tail P	3.30/ .130
	Tin Loc T	OVERALL	Tin Loc T	4.06/ .160	Tin Loc T	4.06/ .160	Tin Loc T	N/A
Voided Ckts	NONE	Voided Ckts	NONE	Voided CKts	NONE	Voided Ckts	NONE	
Pack Per	PK-42492-002	Pack Per	PK-42492-002	Pack Per	PK-42492-002	Pack Per	PK-42492-002	
Ckts	Material No	Engineer Number	Material No	Engineer Number	Material No	Engineer Number	Material No	Engineer Number
2	26-60-7020	A-42892-0002	42892-0080	A-42892-0080	42892-0097	A-42892-0097	26-60-7021	A-42892-0019
3	26-60-7030	A-42892-0003	42892-0081	A-42892-0081	42892-0098	A-42892-0098	26-60-7031	A-42892-0020
4	26-60-7040	A-42892-0004	42892-0082	A-42892-0082	42892-0099	A-42892-0099	26-60-7041	A-42892-0021
5	26-60-7050	A-42892-0005	42892-0083	A-42892-0083	42892-0100	A-42892-0100	26-60-7051	A-42892-0022
6	26-60-7060	A-42892-0006	42892-0084	A-42892-0084	42892-0101	A-42892-0101	26-60-7061	A-42892-0023
7	26-60-7070	A-42892-0007	42892-0085	A-42892-0085	42892-0102	A-42892-0102	26-60-7071	A-42892-0024
8	26-60-7080	A-42892-0008	42892-0086	A-42892-0086	42892-0103	A-42892-0103	26-60-7081	A-42892-0025
9	26-60-7090	A-42892-0009	42892-0087	A-42892-0087	42892-0104	A-42892-0104	26-60-7091	A-42892-0026
10	26-60-7100	A-42892-0010	42892-0088	A-42892-0088	42892-0105	A-42892-0105	26-60-7101	A-42892-0027
11	26-60-7110	A-42892-0011	42892-0089	A-42892-0089	42892-0106	A-42892-0106	26-60-7111	A-42892-0028
12	26-60-7120	A-42892-0012	42892-0090	A-42892-0090	42892-0107	A-42892-0107	26-60-7121	A-42892-0029

G2	REV:	ECR/ECN INFORMATION	TITLE:	FRICION LOCK HDR. ASSY. .156 BENT SQ PINS W/PEGS RT. ANGLE MOUNT	SHEET No.
		EC NO: UCP2008-0727			- 3 -
		DATE 10/8/2007			
DOCUMENT NUMBER: SD-42892-001			CREATED / REVISED BY: ADERR	CHECKED BY: ADERR	APPROVED BY: FSMITH

OPTIONS	Group	A-42892-0036/0052	Group	A-42892-0053/0067	Group	A-42892-0068/0079	Group	A-42892-0114/0118
	Header No:	41790-0070/0086	Header No:	41790-0070/0086	Header No:	41790-0070/0086	Header No:	41790-0070/0086
	Pin No:	2161-62(102)	Pin No:	2161-62(102)	Pin No:	2161-62(102)	Pin No:	2161-62(102)
	Plating:	102	Plating:	102	Plating:	102	Plating:	102
	Pin Length L	24.89/ .980	Pin Length L	24.89/ .980	Pin Length L	24.89/ .980	Pin Length L	24.89/ .980
	Mating M	11.43/ .450	Mating M	11.43/ .450	Mating M	11.43/ .450	Mating M	11.43/ .450
	Gold Loc G	N/A	Gold Loc G	N/A	Gold Loc G	N/A	Gold Loc G	N/A
	Dim. Y	2.82/ .111	Dim. Y	2.82/ .111	Dim. Y	2.82/ .111	Dim. Y	2.82/ .111
	PC Tail P	3.30/ .130	PC Tail P	3.30/ .130	PC Tail P	3.30/ .130	PC Tail P	3.30/ .130
	Tin Loc T	OVERALL	Tin Loc T	OVERALL	Tin Loc T	OVERALL	Tin Loc T	OVERALL
Voided Ckts	2	Voided Ckts	4	Voided CKts	7	Voided Ckts	2, 4, 6, 8, 10, 14	
Pack Per	PK-42492-002	Pack Per	PK-42492-002	Pack Per	PK-42492-002	Pack Per	PK-42492-002	
Ckts	Material No	Engineer Number	Material No	Engineer Number	Material No	Engineer Number	Material No	Engineer Number
2	26-62-7020	A-42892-0036						
3	26-62-7030	A-42892-0037						
4	26-62-7040	A-42892-0038	26-62-7041	A-42892-0053				
5	26-62-7050	A-42892-0039	26-62-7051	A-42892-0054				
6	26-62-7060	A-42892-0040	26-62-7061	A-42892-0055				
7	26-62-7070	A-42892-0041	26-62-7071	A-42892-0056	26-62-7072	A-42892-0068		
8	26-62-7080	A-42892-0042	26-62-7081	A-42892-0057	26-62-7082	A-42892-0069		
9	26-62-7090	A-42892-0043	26-62-7091	A-42892-0058	26-62-7092	A-42892-0070		
10	26-62-7100	A-42892-0044	26-62-7101	A-42892-0059	26-62-7102	A-42892-0071		
11	26-62-7110	A-42892-0045	26-62-7111	A-42892-0060	26-62-7112	A-42892-0072		
12	26-62-7120	A-42892-0046	26-62-7121	A-42892-0061	26-62-7122	A-42892-0073		

G2	REV:	<u>ECR/ECN INFORMATION</u>	TITLE:	FRICION LOCK HDR. ASSY. .156 BENT SQ PINS W/PEGS RT. ANGLE MOUNT	SHEET No.
		EC NO: UCP2008-0727			- 4 -
		DATE 10/8/2007			
<u>DOCUMENT NUMBER:</u> SD-42892-001			<u>CREATED / REVISED BY:</u> ADERR	<u>CHECKED BY:</u> ADERR	<u>APPROVED BY:</u> FSMITH

OPTIONS	Group	A-42892-0119/0133	Group		Group		Group	
	Header No:	41790-0070/0086	Header No:		Header No:		Header No:	
	Pin No:	2161-62(102)	Pin No:		Pin No:		Pin No:	
	Plating:	102	Plating:		Plating:		Plating:	
	Pin Length L	24.89/ .980	Pin Length L		Pin Length L		Pin Length L	
	Mating M	11.43/ .450	Mating M		Mating M		Mating M	
	Gold Loc G	N/A	Gold Loc G		Gold Loc G		Gold Loc G	
	Dim. Y	2.82/ .111	Dim. Y		Dim. Y		Dim. Y	
	PC Tail P	3.30/ .130	PC Tail P		PC Tail P		PC Tail P	
	Tin Loc T	OVERALL	Tin Loc T		Tin Loc T		Tin Loc T	
	Voided Ckts	2, 4	Voided Ckts		Voided CKts		Voided Ckts	
	Pack Per	PK-42492-002	Pack Per		Pack Per		Pack Per	
Ckts	Material No	Engineer Number	Material No	Engineer Number	Material No	Engineer Number	Material No	Engineer Number
2								
3								
4	42892-0119	A-42892-0119						
5	42892-0120	A-42892-0120						
6	42892-0121	A-42892-0121						
7	42892-0122	A-42892-0122						
8	42892-0123	A-42892-0123						
9	42892-0124	A-42892-0124						
10	42892-0125	A-42892-0125						
11	42892-0126	A-42892-0126						
12	42892-0127	A-42892-0127						

G2	REV:	<u>ECR/ECN INFORMATION</u>	FRICITION LOCK HDR. ASSY. .156 BENT SQ PINS W/PEGS RT. ANGLE MOUNT	<u>SHEET No.</u> - 5 -
		EC NO: UCP2008-0727		
		DATE 10/8/2007		
<u>DOCUMENT NUMBER:</u> SD-42892-001		<u>CREATED / REVISED BY:</u> ADERR	<u>CHECKED BY:</u> ADERR	<u>APPROVED BY:</u> FSMITH