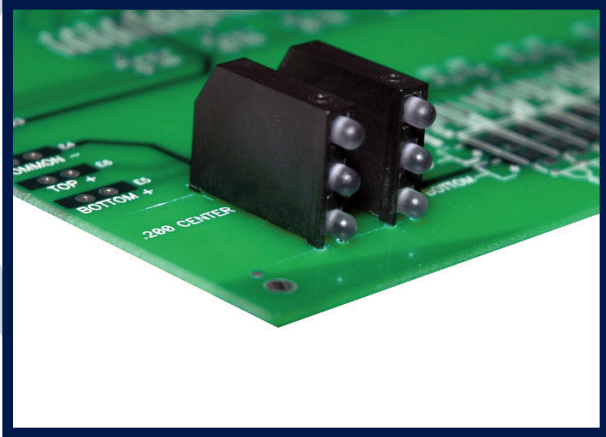




593 SERIES

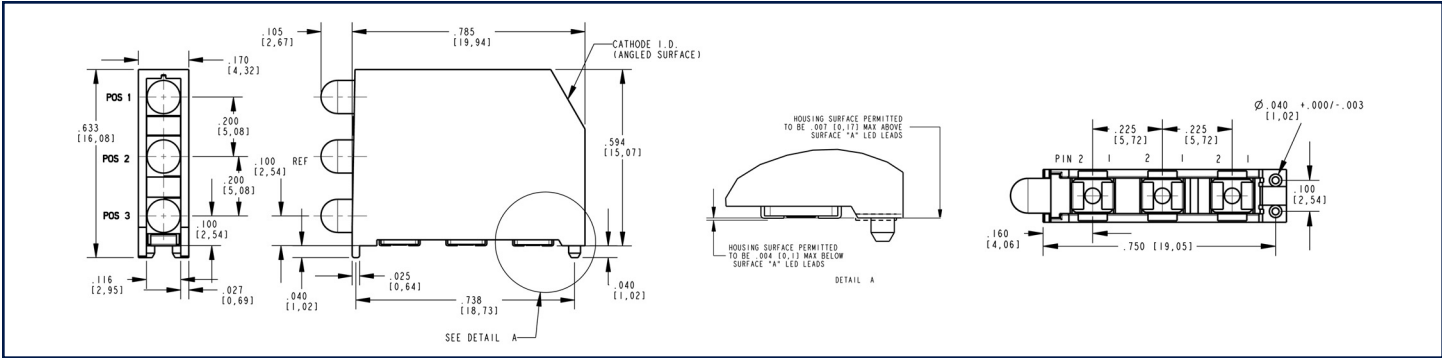
3mm Tri-level Prism® CBI® Surface Mount LED SINGLE COLOR



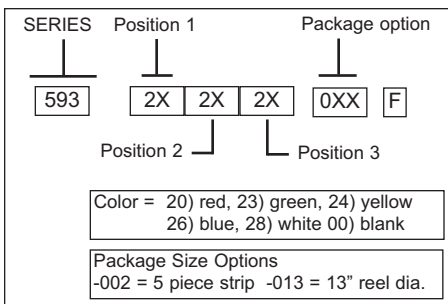
FEATURES / BENEFITS

- ▲ RoHS Compliant
- ▲ Incorporates latest LED technology, specifically designed for surface mounting
- ▲ Compatible with automatic placement equipment
- ▲ Compatible with surface mount reflow soldering processes
- ▲ Black housing enhances contrast ratio
- ▲ Housing material meet UL-94V-0 flammability ratings
- ▲ Patented Tri-level design provides increased indication without increased space
- ▲ Illumination areas compatible with industry standard 3mm through-hole Tri-level Circuit Board Indicators
- ▲ Packaged in moisture barrier bags for dry packaging per IPC/JEDEC J-STD-033, moisture sensitivity level 2
- ▲ Helps to eliminate mixed technology pc board processing

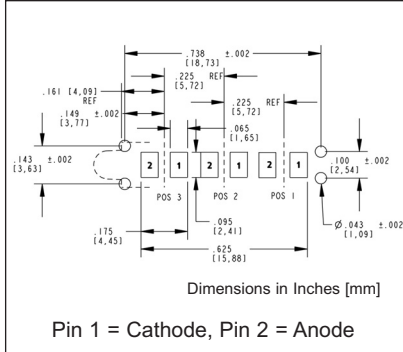
SPECIFICATIONS



PART NUMBER CODE*



PART NUMBER	COLOR COMBO
593-202020-0XXF	RED/RED/RED
593-232323-0XXF	GREEN/GREEN/GREEN
593-242424-0XXF	YELLOW/YELLOW/YELLOW
593-262626-0XXF	BLUE/BLUE/BLUE
593-282828-0XXF	WHITE/WHITE/WHITE



Note: Custom color combinations available upon request. Check with factory for details.

Dialight Corporation

1501 Route 34 South • Farmingdale, NJ 07727 USA
Tel: (1) 732-919-3119 • Fax: (1) 732-751-5778 • www.dialight.com



MDEF593A001_A



593 SERIES

3mm Tri-level Prism® CBI®

Surface Mount LED

SINGLE COLOR

ABSOLUTE MAXIMUM RATINGS (TA= 25°C)

PARAMETER	20	23	24	26	28
COLOR	Red	Green	Yellow	Blue	White
POWER DISSIPATION (derate linearly from 60°C mA°C)	95mW 0.75	95mW 0.75	95mW 0.75	90mW 0.44	80mW 0.60
FORWARD DC CURRENT	30mA	30mA	30mA	20mA	20mA
PEAK FORWARD CURRENT (µsec)	0.5 amp	0.5 amp	0.5 amp	0.2 amp	0.2 amp
OPERATING TEMPERATURE	-40°C To +100°C	-40°C To +100°C	-40°C To +100°C	-40°C To +100°C	-40°C To +100°C
STORAGE TEMPERATURE	-40°C To +100°C	-40°C To +100°C	-40°C To +100°C	-40°C To +100°C	-40°C To +100°C
SOLDERING TEMPERATURES IR REFLOW FOR LEAD FREE SOLDERING, RoHS	260°C (+0°C / -5°C) For 30 Seconds				

OPERATING CHARACTERISTICS (TA= 25°C)

PARAMETER	PART NO.	COLOR	MIN	TYP	MAX	UNITS	TEST COND.
Forward Voltage V _F	20	red		2.0	2.5	V	I _F =10mA
	23	green		2.0	2.5		
	24	yellow		2.0	2.5		
	26	blue		3.5	4.2		I _F =20mA
	28	white	2.9	3.5	3.9		
Reverse Voltage V _R	20	red		12		V	I _F =10µA
	23	green		12			
	24	yellow		12			
	26	blue		5			
	28	white		5			
Dominant Wavelength Dom	20	red	622	628	634	nm	I _F =20mA
	23	green	564	570	576		
	24	yellow	580	587	595		
	26	blue	462	465	468		
	28	white		X .33 .33 .33 Y .33 .33 .33			
Luminous Intensity I _v	20	red	4	6	8	mcd	I _F =20mA
	23	green	7	11	16		
	24	yellow	7	11	15		
	26	blue	4	7	10		
	28	white	60	85	110		
Viewing Angle (2Ø 1/2)	20	red		40		deg.	
	23	green		40			
	24	yellow		40			
	26	blue		40			
	28	white		40			

DIALIGHT RESERVES THE RIGHT TO MAKE CHANGES AT ANY TIME IN ORDER TO SUPPLY THE BEST PRODUCT POSSIBLE.

Dialight Corporation

1501 Route 34 South • Farmingdale, NJ 07727 USA

Tel: (1) 732-919-3119 • Fax: (1) 732-751-5778 • www.dialight.com



MDEF593A001_A