



Features:

- Housing: zinc alloy die cast, chrome plated.
- 5-Disk tumblers mechanism.
- Reversible double cut key brass made nickel plated.
- Silver plated contacts and terminals.

Key-Pull Figures

- Off Position
- | Indicates Key-Pull
- Indicates No Key-Pull



Figure 1



Figure 2



Figure 3



Figure 4

S286A 2 Positions (off-on) 4 Terminals (2 Number.2NC).

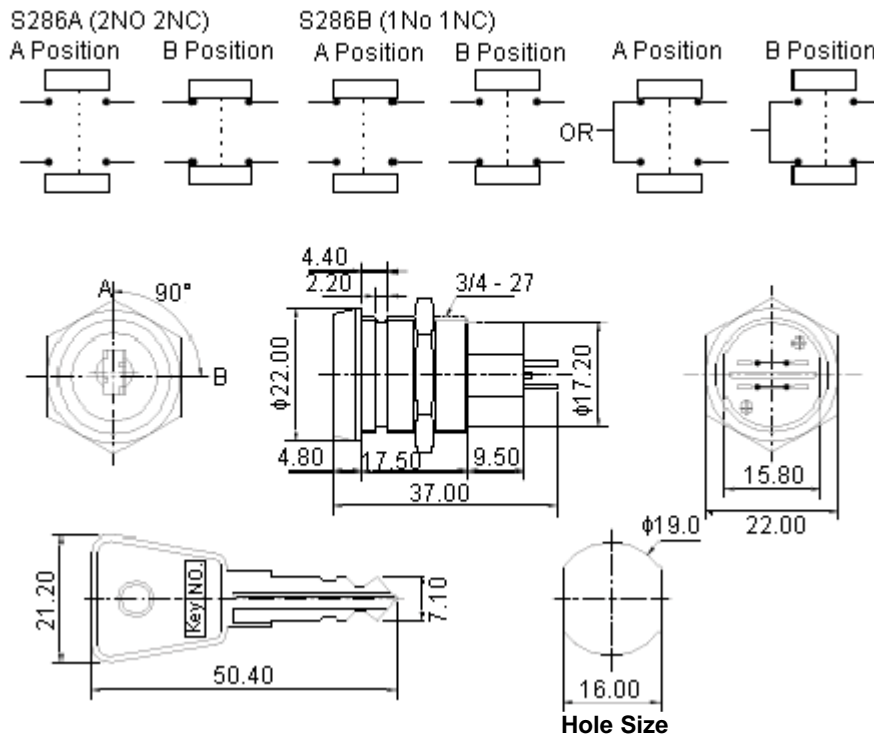
S286B 2 Positions (on-on) 4 Terminals (1 Number.1NC).

Specifications:

- 150 Combinations available.
- Contact rating : 4A @ 125V ac, 2A @ 250V ac.
- Maximum contact resistance : 10mΩ.
- Insulation resistance : 500MΩ minute (500V dc).
- Dielectric strength : 1,500V ac-1 minute.

Figure number	Lock Number	Pole	Positions	Terminals	Key Pulls	Tum	↑	→	Type
1	S286A-1	2	2	4	1	90°	Off	On	DPST
2	S286A-2				2				
3	S286B-1	1			1				SPDT
4	S286B-2				2				

Dimensions



Part Number Table

Description	Part Number
Keyswitch, DPDT, 2 Pos, RDM, 1Keypull	S286A-1
Keyswitch, DPDT, 2 Pos, RDM, 2Keypull	S286A-2
Keyswitch, SPDT, 2 Pos, RDM, 1Keypull	S286B-1
Keyswitch, SPST, 2 Pos, RDM, 2Keypull	S286B-2

Disclaimer This data sheet and its contents (the "Information") belong to the Premier Farnell Group (the "Group") or are licensed to it. No licence is granted for the use of it other than for information purposes in connection with the products to which it relates. No licence of any intellectual property rights is granted. The Information is subject to change without notice and replaces all data sheets previously supplied. The Information supplied is believed to be accurate but the Group assumes no responsibility for its accuracy or completeness, any error in or omission from it or for any use made of it. Users of this data sheet should check for themselves the Information and the suitability of the products for their purpose and not make any assumptions based on information included or omitted. Liability for loss or damage resulting from any reliance on the Information or use of it (including liability resulting from negligence or where the Group was aware of the possibility of such loss or damage arising) is excluded. This will not operate to limit or restrict the Group's liability for death or personal injury resulting from its negligence. SPC Multicomp is the registered trademark of the Group. © Premier Farnell plc 2009.