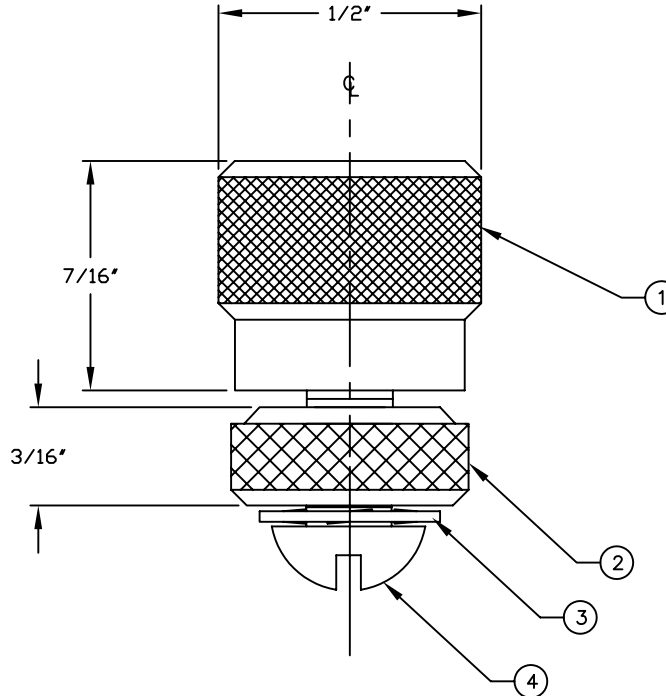


BILL OF MATERIALS

DET.	QTY.	DESCRIPTION	MATERIAL	PLATING
1	1	CAP	BRASS	NICKEL
2	1	B.P. WASHER	BRASS	NICKEL
3	1	LOCKWASHER	STEEL	ZINC
4	1	SCREW 8-32 THD	BRASS	NICKEL

REVISIONS

SYM	DESCRIPTION	REVISED BY	DATE	APPR



*NOTE: PART SOLD UNASSEMBLED

MATERIAL "SEE TABLE"			FINISH "SEE TABLE"			ABBATRON Electronic Connectors and Hardware 632 Arch Street, Meadville, Pa. 16335		
DIMENSIONAL TOLERANCES UNLESS OTHERWISE SPECIFIED			TITLE 110 ALL METAL BINDING POST ASSEMBLY					
.XX	.XXX	.XXXX				DRAWN: J. TEASDALE		
---	---	---	SCALE			DATE		
FRACTIONS	ANGLES	SCALE	4:1			DATE	C	
---	---	---	HEAT TREAT			DATE		
HEAT TREAT			CHECKED:			DATE		
PLOT SCALE: 1:1			APPROVED:			DATE		