

FEATURES AND SPECIFICATIONS

Features and Benefits

- Sizes 2 to 15 circuits
- Locking windows provide secure mating
- Metal solder tabs provide PCB hold-down and strain relief for SMT tails

Reference Information

Packaging: Embossed tape

Mates With: [51021](#)

Designed In: Millimeters

Electrical

Voltage: 125V

Current: 1.0A

32 AWG—0.8A

Contact Resistance: 20mΩ max.

Dielectric Withstanding Voltage: 250V AC/1 min.

Insulation Resistance: 100 MΩ min.

Physical

Housing: Glass-filled 4/6 nylon, UL 94V-0

Contact: Phosphor Bronze

Plating: Tin/Lead

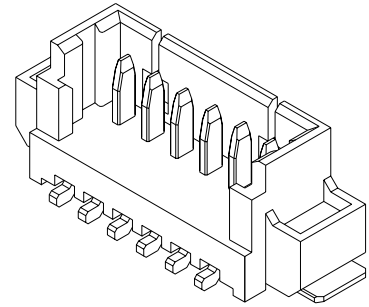
Solder Tabs: Phosphor Bronze, Tin/Lead plating

Operating Temperature: -40 to +85°C

molex® 1.25mm (.049") Pitch Wire-to-Board Header

53398

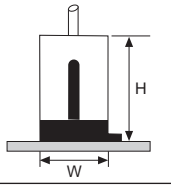
Vertical, SMT



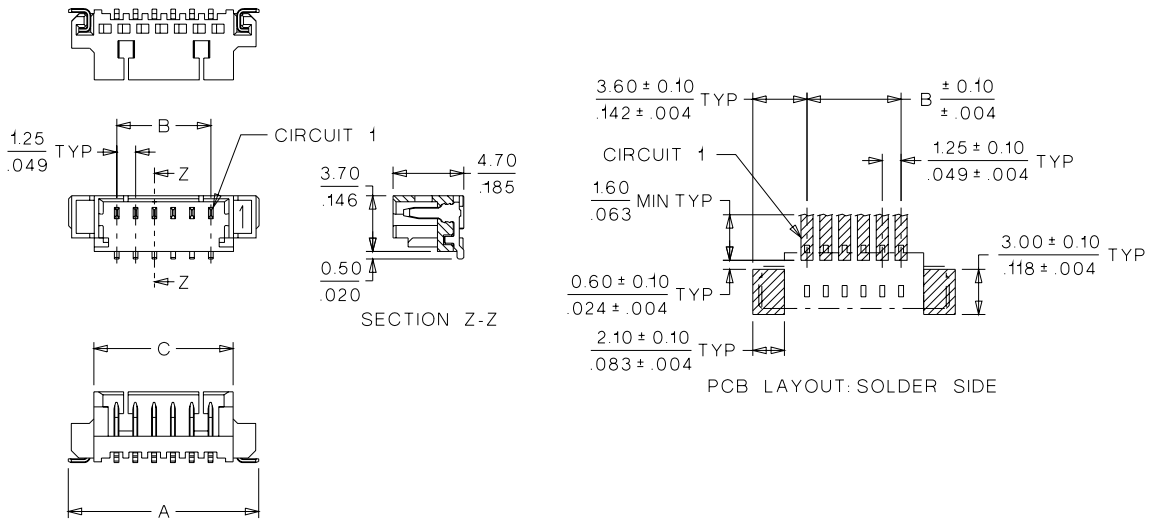
Mating Dimensions

53398 • 51021 • 50058/50079

H=5.7mm W=3.7mm



CATALOG DRAWING (FOR REFERENCE ONLY)



ORDERING INFORMATION AND DIMENSIONS

Circuits	Order No.	Dimension			Tape Width
		A	B	C	
2	53398-0290	7.65 (.301)	1.25 (.049)	4.25 (.167)	16.00 (.630)
3	53398-0390	8.90 (.350)	2.50 (.098)	5.50 (.216)	
4	53398-0490	10.15 (.399)	3.75 (.147)	6.75 (.265)	
5	53398-0590	11.40 (.448)	5.00 (.196)	8.00 (.314)	
6	53398-0690	12.65 (.498)	6.25 (.246)	9.25 (.364)	24.00 (.945)
7	53398-0790	13.90 (.547)	7.50 (.295)	10.50 (.413)	
8	53398-0890	15.15 (.596)	8.75 (.344)	11.75 (.462)	
9	53398-0990	16.40 (.645)	10.00 (.393)	13.00 (.511)	
10	53398-1090	17.65 (.694)	11.25 (.442)	14.25 (.561)	32.00 (1.260)
11	53398-1190	18.90 (.744)	12.50 (.492)	15.50 (.610)	
12	53398-1290	20.15 (.793)	13.75 (.541)	16.75 (.659)	
13	53398-1390	21.40 (.842)	15.00 (.590)	18.00 (.708)	
14	53398-1490	22.65 (.891)	16.25 (.639)	19.25 (.757)	44.00 (1.732)
15	53398-1590	23.90 (.940)	17.50 (.688)	20.50 (.807)	

A
0.40 to 1.60mm (.016 to .063") Pitch