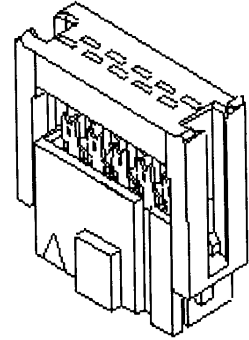


352-5867 100mm Home | Series 90635
 352-5934 200mm
 352-6008 300mm
 352-6076 400mm

**1.27mm (.050") QF 50™, Vertical, MIL/DIN Version
 Receptacle
 90635**



[Click here for 2D](#)



Download free Acrobat Reader to view PDF files.

This product was designed in millimeters
 Designed in dimensions refer to the 2-D drawing shown below.
[Click Here to view in inches.](#)

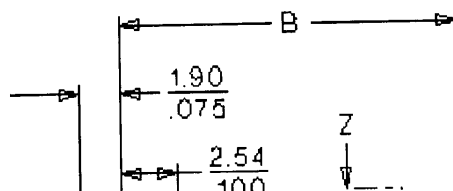
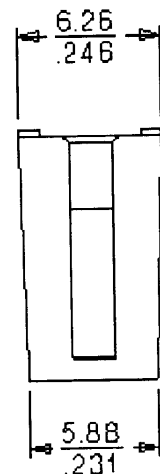
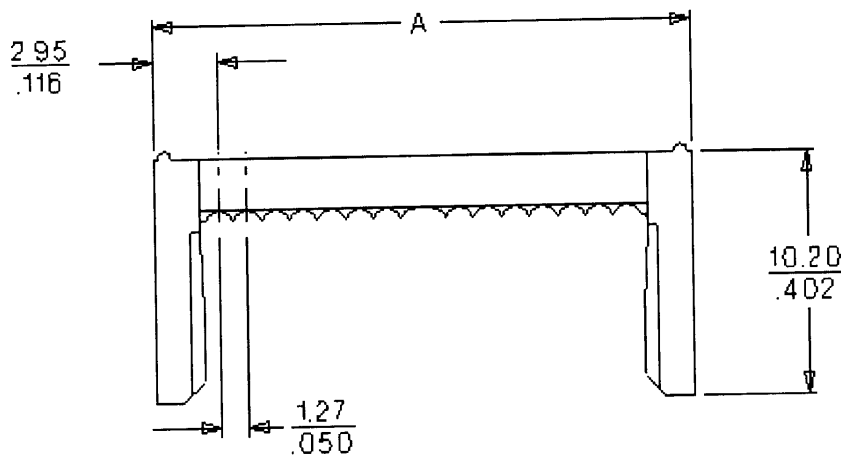
Warning: Converting to inches may cause rounding errors. Please see sales drawing for more detailed information.

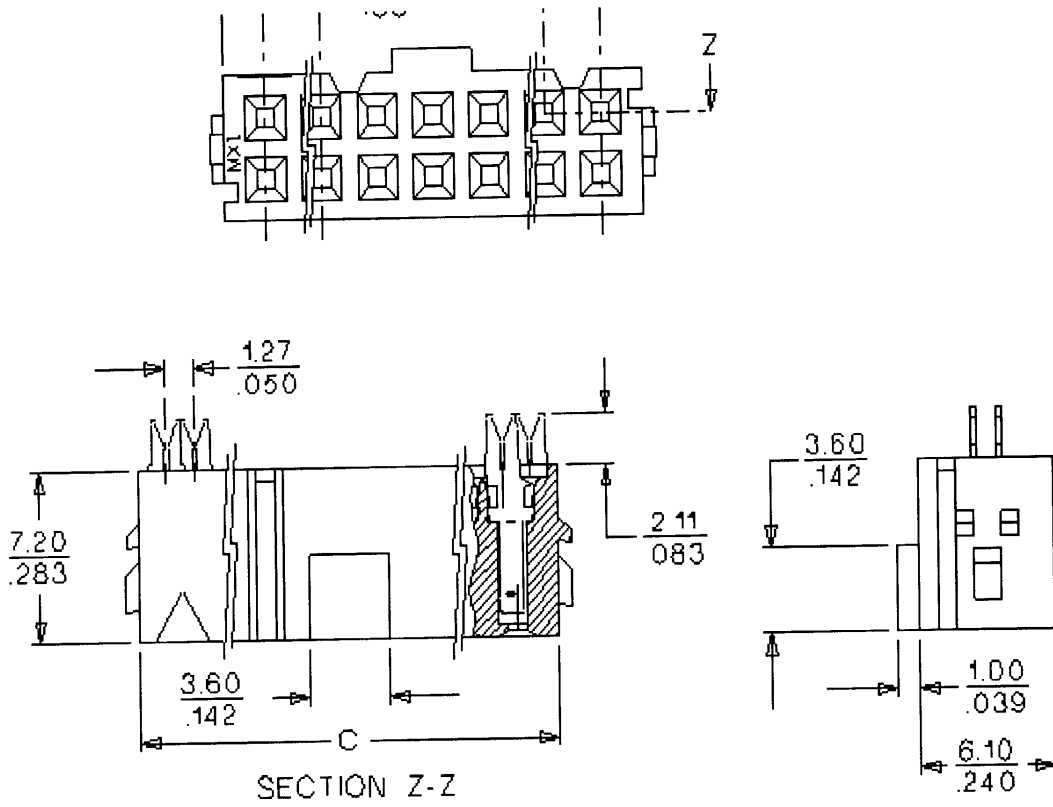
DOCUMENTS

PART INFORMATION

	3D Model	Sales Drawing (.pdf)	Molex Part No	Circuits	Plating Material	Polarization	Plating Thickness (μ)	Part Status
Sample Request	3D	SD	90635-1202	20	Au (Gold)	Yes	.76	Active

[Click Here to view all parts for series 90635](#)





[Home](#) | Series 90635

© Copyright 2001 Molex

[Help](#) [Feedback](#) [Legal Notices](#)