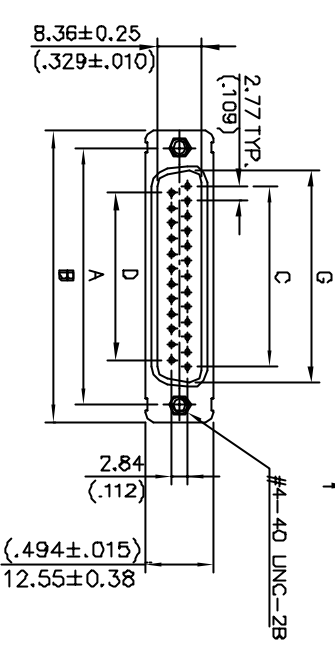


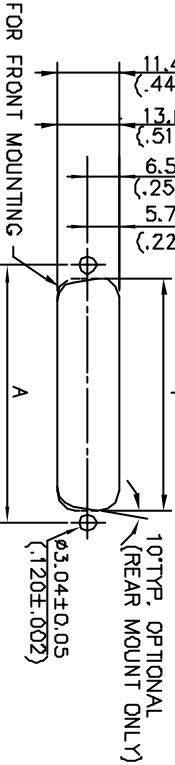
SPECIFICATION :

- .CURRENT RATING : 1 AMP.
- .INSULATOR RESISTANCE : 1000 MΩ MIN. (AT 500 V DC)
- .ELECTRIC WITHSTANDING VOLTAGE : AC 500 V MIN. (FOR 1 MINUTE)
- .OPERATING TEMPERATURE : -55°C TO 105°C
- .CONTACT RESISTANCE : 15 mΩ MAX.
- .INSULATOR MATERIAL : PBT WITH GLASS-FIBER REINFORCED UL 94V-0
- .CONTACT MATERIAL : BRASS
- .CONTACT PLATING : GOLD OVER NICKEL
- .WIRE SIZE : AWG 26 & 28 STRANDED , 1.27mm CONDUCTOR CENTRE FLAT CABLE



10.70±0.25 (±.421±.010)
 9.00±0.25 (±.354±.010)
 11.40±0.13 (±.449±.005)
 13.03±0.13 (±.513±.005)
 6.52±0.13 (±.257±.005)
 5.71±0.13 (±.225±.005)

CATALOG NO.	NO. OF POSITIONS	A (±.005)	B (±.010)	C (±.005)	D (±.005)	E (±.010)	F (±.010)
8FTM37P	37	63.50(2.500)	69.40(2.732)	49.85(1.965)	47.09(1.854)	54.60(2.150)	57.10(2.248)
8FTM25P	25	47.04(1.852)	53.09(2.090)	33.24(1.309)	30.47(1.200)	38.14(1.502)	40.90(1.610)
8FTM15P	15	33.32(1.312)	39.10(1.539)	19.59(.765)	16.62(.654)	24.00(.945)	26.60(1.047)
8FTM09P	9	24.99(.984)	30.80(1.212)	11.08(.436)	8.31(.327)	16.10(.634)	18.60(.732)



REAR MOUNT	FRONT MOUNT	FORNT MOUNT	REAR MOUNT
55.45(2.183)	59.08(2.326)	50.73(2.391)	55.45(2.183)
38.96(1.534)	42.52(1.674)	44.27(1.743)	38.96(1.534)
25.25(.994)	28.80(1.134)	30.53(1.202)	25.25(.994)
16.92(.666)	20.47(.806)	22.20(.874)	16.92(.666)

- SERIES
 - BF D-SUB I.D.C. CONNECTOR
- HOUSING CONSTRUCTION TYPES
 - SP - STANDARD THROUGH HOLES (ALL PLASTIC TYPE)
 - TP - WITH 4#-40 UNC THREADED INSERT (ALL PLASTIC TYPE)
 - SM - STANDARD THROUGH HOLES (WITH METAL SHELL)
 - TM - WITH 4#-40 UNC THREADED INSERT (WITH METAL SHELL)
 - MP - WITH M3X0.5 THREADED INSERT (ALL PLASTIC TYPE)
 - MM - WITH M3X0.5 THREADED INSERT (WITH METAL SHELL)
- NUMBER OF CONTACTS
 - .09 - 9 POSITIONS
 - .15 - 15 POSITIONS
 - .25 - 25 POSITIONS
 - .37 - 37 POSITIONS
- CONTACT TYPE
 - .P - PLUG (MALE)
 - .S - SOCKET (FEMALE)
- COLOR CODES
 - .1 - BLUE
 - .2 - GRAY
 - .3 - BLACK
- CONTACT FINISH
 - .0 - SELECTED GOLD FLASH OVER 30u" NICKEL
 - .2 - 15u" SELECTED GOLD OVER 50u" NICKEL
 - .3 - 30u" SELECTED GOLD OVER 50u" NICKEL
- STRAIN RELIEF
 - .N - WITHOUT STRAIN RELIEF
 - .S - STAINLESS STEEL STRAIN RELIEF
 - .P - PLASTIC STRAIN RELIEF

- METAL SHELL FINISH
 - .0 - WITHOUT METAL SHELL (ALL PLASTIC TYPE)
 - .1 - TIN PLATED SHELL (WITH GROUNDING INDENTS)
 - .2 - YELLOW CHROMATE OVER ZINC SHELL (WITHOUT GROUNDING INDENTS)
 - .3 - YELLOW CHROMATE OVER ZINC SHELL (WITH GROUNDING INDENTS)
 - .4 - TIN PLATED SHELL (WITHOUT GROUNDING INDENTS)
- CUSTOMER
 - .C - INLAND

MATERIAL	TOLERANCE UNSPECIFIED	± .000	± 0.25	± .0	± .1	± .1	± .1
FINISH	ANGLE	DRAMA 朱冠 1/09'90	DESIGNER	CHECKED	APPROVED	NAME	SCALE
				Peter 7/19'01	James 7/19'01	BFTMXXP SERIES IDC D-SUB MALE CONNECTOR ALL PLASTIC (E-00522)	1 : 1
						DRAWING NO. R-S108F-B	UNIT
							MM
							SHEET
							REV.