

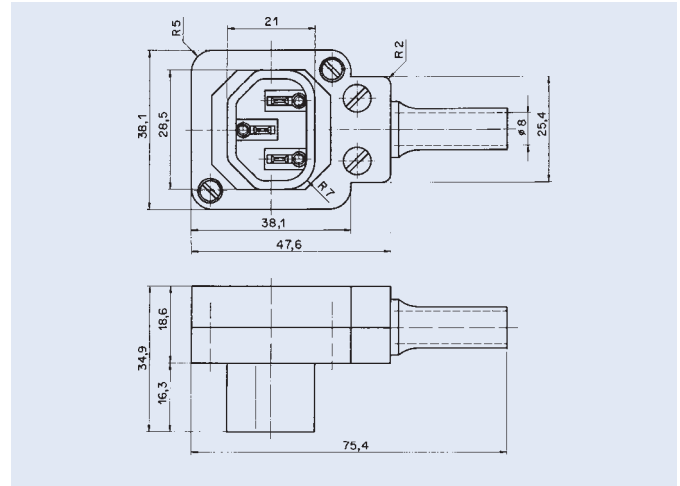
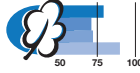
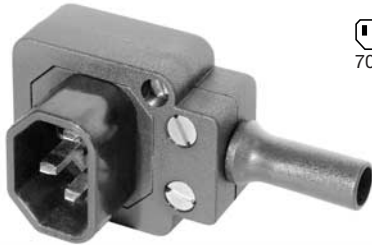
APPLIANCE COUPLERS

P685, 4300-06

Rewireable plugs and connectors for cable

Rewireable plug for cable, 90° entry, adjustable on 4 positions Type P685

Pin temperature 70 °C
Protection class I



Technical data:

- Rated current/voltage: 10 A/250 VAC
- Insulation resistance: > 10⁴ MΩ
- Dielectric strength: > 2 kV (50 Hz, 1 Min.), to accessible surfaces
- Material:
 - Socket: thermoplastic, black, UL 94V-0

Standards

IEC/EN 60320-2-2/E

Approvals

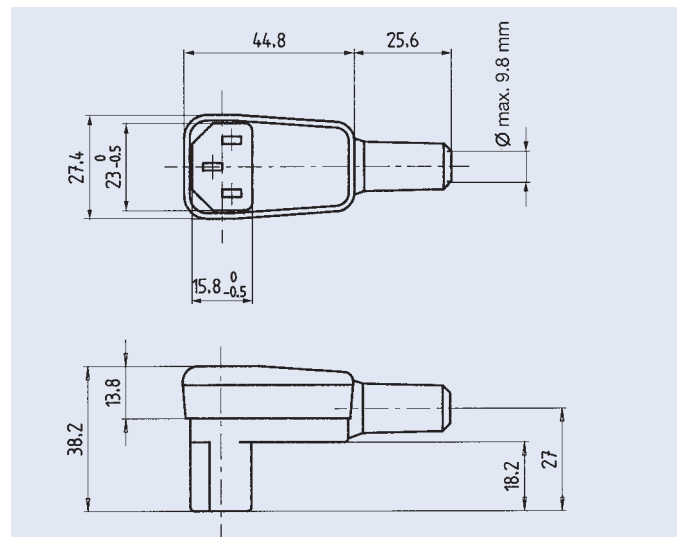
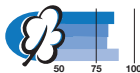
- UL (10 A / 250 VAC)
- CSA (10 A / 250 VAC)

Order Numbers

4300.0401

Rewireable connector for cable, 90° entry Type 4300-06

Pin temperature 70 °C
Protection class I



Technical data:

- Rated current/voltage: 10 A/250 VAC
15 A/125 VAC (UL, CSA)
- Insulation resistance: > 10 MΩ (500 VDC, 1 Min.)
- Dielectric strength: > 2 kV (50 Hz, 1 Min.), to accessible surfaces
- Material:
 - Socket: thermoplastic, black, UL 94 V-2

Standards

IEC/EN 60320-1/C13

Approvals

- SEV (10 A / 250 VAC)
- VDE (10 A / 250 VAC)
- SEMKO (10 A / 250 VAC)
- UL (15 A / 125 VAC)
- CSA (15 A / 125 VAC)

Order No.

4300.0609