

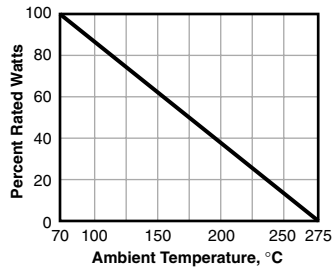
The TWM/TWW series radial terminal power resistors offer significant board space savings over axial terminal products. Generated heat is also kept away from the circuit board.

They are recommended for commercial applications requiring low cost.

## FEATURES

- Economical Commercial Grade for general purpose use
- Wirewound and Metal Oxide construction
- Wide resistance range
- Flameproof inorganic construction

## DERATING



## SPECIFICATIONS

### Material

**Housing:** Ceramic  
**Core:** Fiberglass or metal oxide  
**Filling:** Cement based

### Electrical

**Tolerance:** 5% standard  
**Temperature coeff.:**  
 .01-20Ω ±400ppm/°C  
 20-10Ω ±350ppm/°C

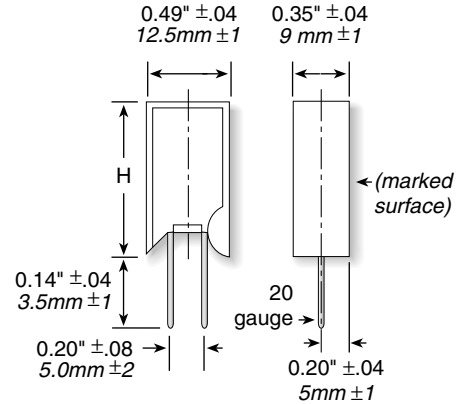
**Dielectric withstanding voltage:**  
 1,000VAC

**Short time overload:**  
 TWW: 10x rated power for 5 sec.  
 TWM: 5x rated power for 5 sec.

**Operating Temp.:** -55°C to 275°C  
**Storage Temp.:** 6°C to 36°C

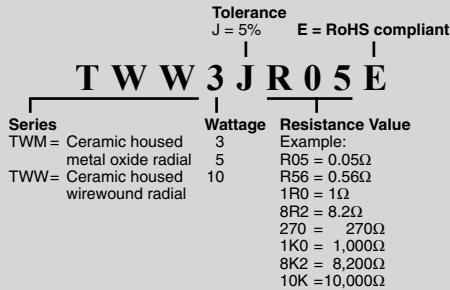
# TWM/TWW Series

## Ceramic Housed Radial Terminal Power



Series	Wattage	Ohms	Height (in./mm)	Voltage	Element
TWW3	3	.01-39	0.98 / 25	250	Wire
TWW5	5	.01-47	0.98 / 25	350	Wire
TWW10	10	.04-990	1.97 / 50	750	Wire
TWM3	3	43-50K	0.98 / 25	250	Metal oxide
TWM5	5	51-50K	0.98 / 25	350	Metal oxide
TWM10	10	1000-50K	1.97 / 50	750	Metal oxide

## ORDERING INFORMATION



## STANDARD PART NUMBERS FOR TWW SERIES

Ohmic value	Part No. Prefix Suffix	Wattage			Ohmic value	Part No. Prefix Suffix	Wattage			Ohmic value	Part No. Prefix Suffix	Wattage		
		3	5	10			3	5	10			3	5	10
0.01	R01E	✓	✓		1.5	1R5E	✓	✓	✓	43	43RE		✓	✓
0.02	R02E	✓	✓		2.0	2R0E	✓	✓	✓	47	47RE		✓	✓
0.03	R03E	✓	✓		2.7	2R7E	✓	✓	✓	56	56RE		✓	✓
0.04	R04E	✓	✓	✓	3.0	3R0E	✓	✓	✓	68	68RE		✓	✓
0.05	R05E	✓	✓	✓	3.3	3R3E	✓	✓	✓	75	75RE		✓	✓
0.10	R10E	✓	✓	✓	3.9	3R9E	✓	✓	✓	82	82RE		✓	✓
0.15	R15E	✓	✓	✓	4.3	4R3E	✓	✓	✓	100	100E		✓	✓
0.20	R20E	✓	✓	✓	4.7	4R7E	✓	✓	✓	150	150E		✓	✓
0.27	R27E	✓	✓	✓	5.6	5R6E	✓	✓	✓	200	200E		✓	✓
0.30	R30E	✓	✓	✓	6.8	6R8E	✓	✓	✓	270	270E		✓	✓
0.33	R33E	✓	✓	✓	7.5	7R5E	✓	✓	✓	300	300E		✓	✓
0.39	R39E	✓	✓	✓	8.2	8R2E	✓	✓	✓	330	330E		✓	✓
0.43	R43E	✓	✓	✓	10	10RE	✓	✓	✓	390	390E		✓	✓
0.47	R47E	✓	✓	✓	15	15RE	✓	✓	✓	430	430E		✓	✓
0.56	R56E	✓	✓	✓	20	20RE	✓	✓	✓	470	470E		✓	✓
0.68	R68E	✓	✓	✓	27	27RE	✓	✓	✓	560	560E		✓	✓
0.75	R75E	✓	✓	✓	30	30RE	✓	✓	✓	680	680E		✓	✓
0.82	R82E	✓	✓	✓	33	33RE	✓	✓	✓	750	750E		✓	✓
1.0	1R0E	✓	✓	✓	39	39RE	✓	✓	✓	820	820E		✓	✓

## STANDARD PART NUMBERS FOR TWM SERIES

Ohmic value	Part No. Prefix Suffix	Wattage			Ohmic value	Part No. Prefix Suffix	Wattage		
		3	5	10			3	5	10
43	43RE	✓			750	750E	✓	✓	✓
47	47RE	✓			820	820E	✓	✓	✓
56	56RE	✓	✓		1000	1K0	✓	✓	✓
68	68RE	✓	✓		1500	1K5	✓	✓	✓
75	75RE	✓	✓		2000	2K0	✓	✓	✓
82	82RE	✓	✓		2700	2K7	✓	✓	✓
100	100E	✓	✓		3000	3K0	✓	✓	✓
150	150E	✓	✓		3300	3K3	✓	✓	✓
200	200E	✓	✓		3900	3K9	✓	✓	✓
270	270E	✓	✓		4300	4K3	✓	✓	✓
300	300E	✓	✓		4700	4K7	✓	✓	✓
330	330E	✓	✓		5600	5K6	✓	✓	✓
390	390E	✓	✓		6800	6K8	✓	✓	✓
430	430E	✓	✓		7500	7K5	✓	✓	✓
470	470E	✓	✓		8200	8K2	✓	✓	✓
560	560E	✓	✓		10000	10K	✓	✓	✓
680	680E	✓	✓						

Check product availability at [www.ohmite.com](http://www.ohmite.com)