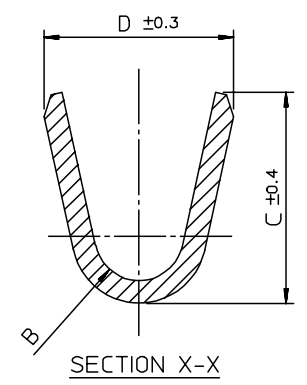
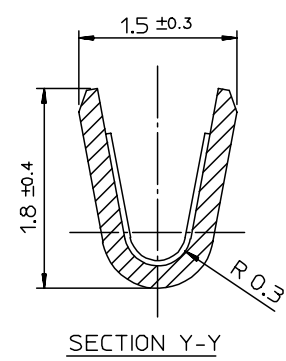
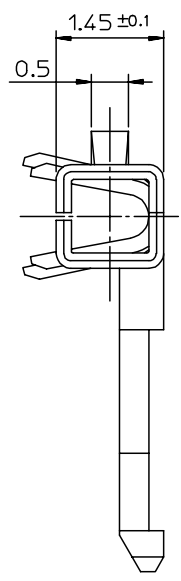
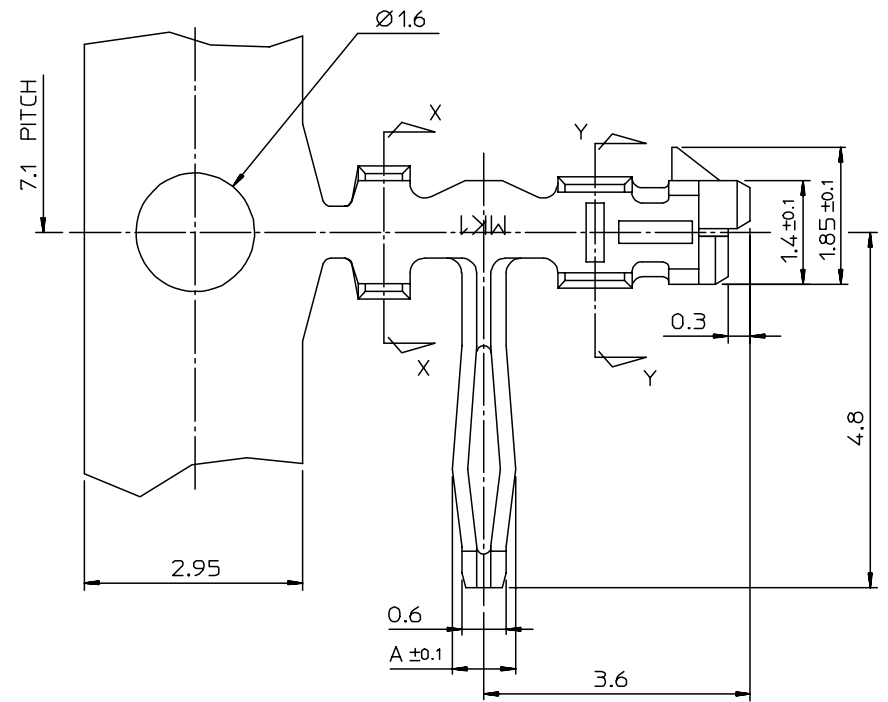
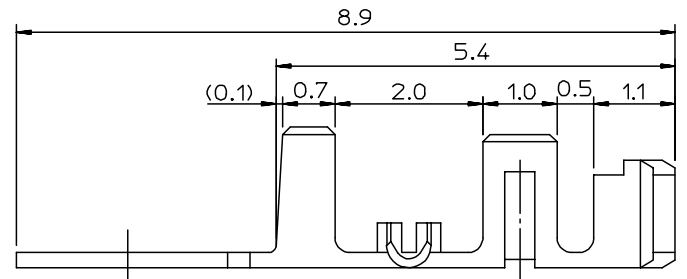


DWG. NO. SD-35021-001
 SIMILAR ITEM
 PROJECT NO.
 DO NOT SCALE DRAWING DIMENSION IN METRIC



- NOTE
- MATERIAL
 - BRASS (CDA 260)
 - PHOSPHOR BRONZE (CDA 510)
 - PLATING
 - PRE PLATED - TIN OVER COPPER
 - POST PLATED - TIN/LEAD OVER COPPER
 - USED HOUSING : 35022-00**/35023-00**/68418-***00

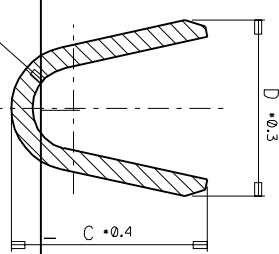
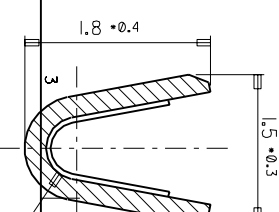
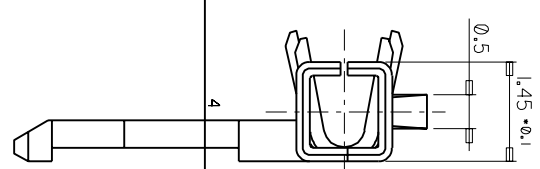
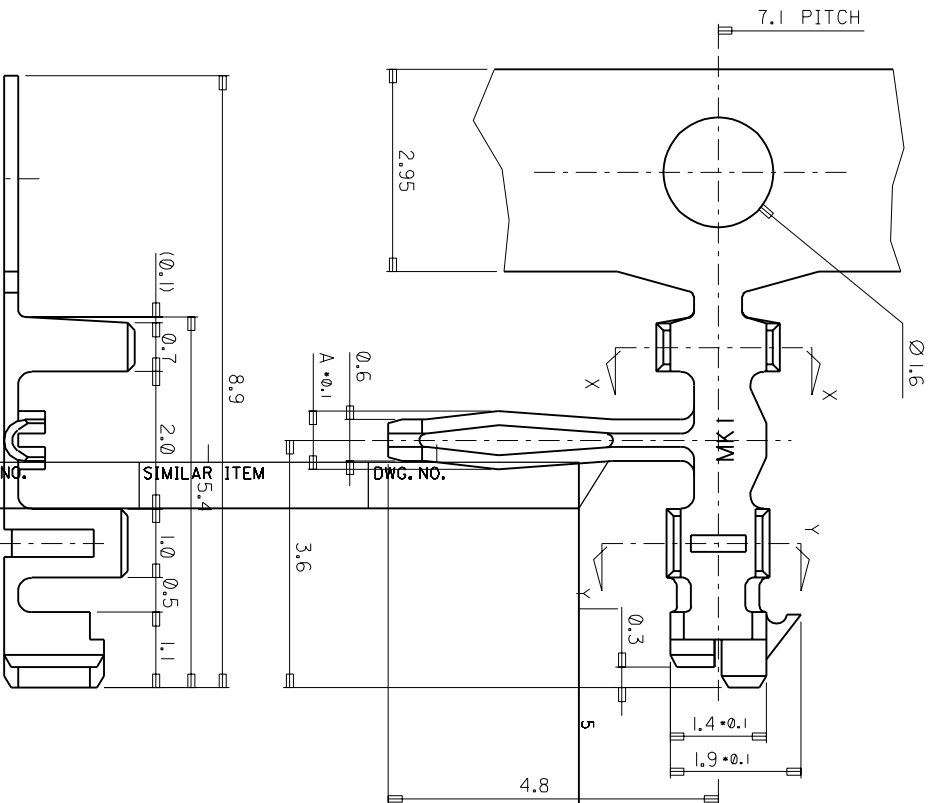


POST-PLATED	PHOS. BRON.	AWG #24-#30	1.8	1.9	R0.4	0.85	350211310	35021-1310
PRE-PLATED	PHOS. BRON.	(INS. DIA: Ø 1.5 MAX.)	2.5	2.5	R0.7	1.05	350211301	35021-1301
	BRASS						350211201	35021-1201
PRE-PLATED	PHOS. BRON.	AWG #22-#28 (INS. DIA: Ø 1.9 MAX.)	2.5	2.5	R0.7	1.05	350211101	35021-1101
	BRASS						350211001	35021-1001
POST-PLATED	PHOS. BRON.						350211110	35021-1110
PLATING	MATERIAL	WIRE RANGE	D	C	B	A	MAT'L NO.	ENG NO.

REVISED EC NO: KOR2007-0027 DRWN: JHLEE 06/09/13 CHK: KSKIM 06/09/13 APPR: YSOOKIM 06/09/13	QUALITY SYMBOLS MAJOR CRITICAL	GENERAL TOLERANCES: (UNLESS SPECIFIED) mm inch		SCALE 15-1 <input checked="" type="checkbox"/> mm <input type="checkbox"/> INCH	DESIGN UNITS <input checked="" type="checkbox"/> mm <input type="checkbox"/> INCH	THIRD ANGLE PROJECTION <input checked="" type="checkbox"/> mm <input type="checkbox"/> INCH <input type="checkbox"/> ONLY	DIMENSIONS: <input type="checkbox"/> mm <input type="checkbox"/> INCH <input checked="" type="checkbox"/> mm <input type="checkbox"/> ONLY	SHT REV REVISE ON CAD ONLY
		DESCRIPTION MAJOR CRITICAL	DRAWN BY & DATE HSSHIN	TITLE: R/A B-IN TERMINAL				
REV 	DESCRIPTION MAJOR CRITICAL	4 PLACES ±0. ±.	3 PLACES ±0. ±.	2 PLACES ±0. ±.	1 PLACE ±0.3 ±.	APPROVED BY & DATE CWLEE	MOLEX INCORPORATED	
		ANGULAR: ± 1 °	DRAFT WHERE APPLICABLE MUST REMAIN WITHIN DIMENSIONS	CAD FILENAME SD35021.DGN	MATERIAL NO. SEE TABLE	DRAWING NO. SD-35021-001	SHEET NO. 10F1	SIZE B

PROJECT NO. SIMILAR ITEM DWG. NO.
35021-1*** SD 35021-1***

DO NOT SCALE DRAWING
DIMENSION IN METRIC



NOTE

1. MATERIAL
 - 1) BRASS (CDA 260)
 - 2) PHOSPHOR BRONZE (CDA 510)
2. PLATING
 - 1) PRE PLATED - TIN OVER COPPER
 - 2) POST PLATED - TIN/LEAD OVER COPPER
3. USED HOUSING : 35022-00** / 35023-00**

POST-PLATED	PHOS. BRON.	AWG #24-#30	1.8	1.9	R0.4	0.85	35021-1310
PRE-PLATED	PHOS. BRON.	(INS. DIA: Ø 1.5 MAX.)	1.8	1.9	R0.4	0.85	35021-1301
POST-PLATED	PHOS. BRON.	AWG #22-#30 (INS. DIA: Ø 1.9 MAX.)	2.5	2.5	R0.7	1.05	35021-1201
PLATING	MATERIAL	WIRE RANGE	D	C	B	A	35021-1101
							35021-1100

REVISED
EC NO. KOR1998-0091
DRWN: HSSHIN(980609)
CHK: JKOH
APPR: CWLEE

REVISIONS
REV DESCRIPTION
C CRITICAL

QUALITY SYMBOLS
MAJOR
GENERAL TOLERANCES:
(UNLESS SPECIFIED)
MIN INCH
4 PLACES ±.
3 PLACES ±.
2 PLACES ±.
1 PLACE ±.
ANGULAR ± °

SCALE DESIGN UNITS
15-1 DIM INCH
DRAWN BY & DATE
HSSHIN
CHECKED BY & DATE
JKOH
APPROVED BY & DATE
CWLEE

TITLE: R/A B-IN TERMINAL
THIRD ANGLE PROJECTION
DIMENSIONS: SHIT REV
MATERIAL NO. 350-21-1***
DRAWING NO. SD 35021-1***
SHEET NO. 1 OF 1
SIZE

MOLEX INCORPORATED
KOREA
MATERIAL NO. 350-21-1***
DRAWING NO. SD 35021-1***
SHEET NO. 1 OF 1
SIZE

8 7 6 5 4 3 2 1
A B C D E F